



VT™ LS **Lumen Selectable Troffer**

DESCRIPTION

The VT™ LS troffer combines the best quality construction, performance, and modern design in a single fixture. Installers can select three discrete wattage settings. With the ability to field adjust lumen performance, even the most challenging project can be done with ease. The VT™ LS Troffer is the perfect solution for any lighting situation including commercial, retail, institution, hospitality applications, and more.

APPLICATIONS

Commercial, Retail, Institution, and Hospitality.

FEATURES

Construction

Constructed out of a single piece of 22 gauge ribbed unitized steel housing and corners that interlock, preventing damage to luminaire.

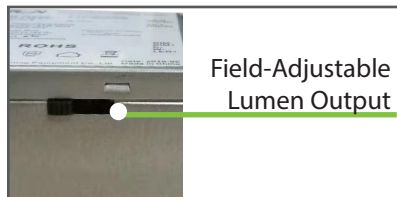
Optical System

Visual comfort acrylic diffuser. Provides a distribution of 115°.

Note: Diffuser lens is not removable.

Warranty

5 Year Warranty. See warranty documentation for more information.



Electrical

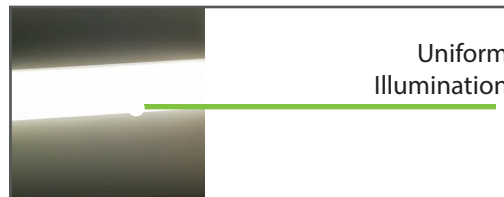
Input voltage: 120-277VAC
 Emergency Battery Backup Driver available. (Factory Installed)
 12W Emergency Inverter available.
 10W Bodine Inverter available:
 - UL Listed for field or factory installation and CEC
 - Title 20 compliant
 - Remote-mounted up to 250'

Installation/ Mounting

Recessed Mounted (Standard Integral Clips [T-bar]),
 Flange Mount Kit (Drywall Recessed Mounting)

Controls/Dimming

0-10V dimming comes standard.



Not all products are qualified on the DLC® QPL. To view our DLC® qualified products, please consult the DLC® Qualified Products List at www.designlights.org/qpl.



VT™ LS

- 1'x4': 20W (2,500 lm)
- 30W (3,750 lm)
- 36W (4,500 lm)
- 2'x2': 20W (2,500 lm)
- 30W (3,750 lm)
- 36W (4,500 lm)
- 2'x4': 30W (3,750 lm)
- 35W (4,375 lm)
- 40W (5,000 lm)

Projected L70: 50,000+ hours
 Warranty: 5 Years
 System Efficacy: 125+ LpW
 0-10V Dimming



Field-Adjustable Lumen Output



0-10V Dimming (Isolated)



Emergency Backup or Inverter Option



Motion Sensor Option

Ordering Information

EXAMPLE: VT-24-LS-40-P

Series	Size	Lumen Selectable	CCT	Type	Controls Option	Emergency Driver
VT	14 - 1'x4' 22 - 2'x2'	LS - 20W/30W/36W	35 - 3500K 40 - 4000K 50 - 5000K	P - Premium	(Blank) No Sensor M - Bi-level Occupancy/ Daylight Harvesting Sensor	(Blank) No EM EM - 6W Emergency Driver
	24 - 2'x4'	LS - 30W/35W/40W				
					Flange Mount Kit	Accessories
					8814-FMK (1x4 Flange Mount Kit) 8822-FMK (1x4 Flange Mount Kit) 8824-FMK (2x4 Flange Mount Kit)	88-WP8-3C (8ft 3 Wire Whip [18AWG]) RC-RC-100 (TGS- Wireless Configuration Tool) WP-CEP-12C-200VPE1 (EM Inverter 12W)

Specifications and Dimensions subject to change without notice.

Optional accessories are purchased separately.

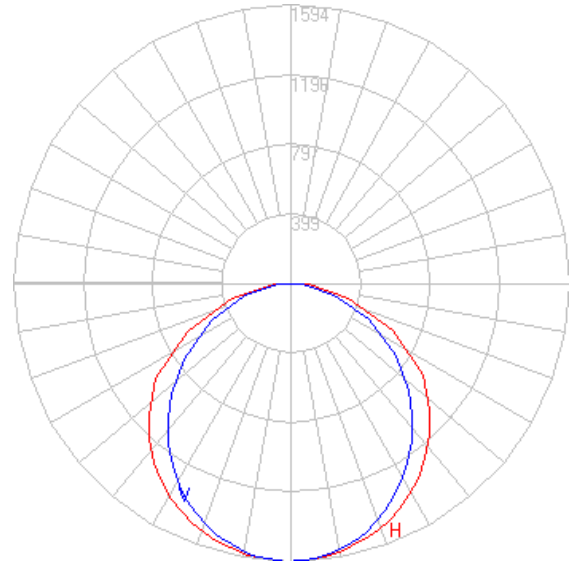
*MOQ and longer lead times may apply, please contact customer service for more information.

Performance Information

Input Voltage	120-277VAC
Input Frequency	50/60Hz
Wattage	See Performance Table
Delivered Lumens	See Performance Table
System Efficacy	See Performance Table
CRI	>80
Available CCT	3500K, 4000K, 5000K
Projected L70	50,000+ hours
Power Factor	>0.90
THD	<20%
Dimming	0-10V Dimming
Operating Temp.	-4°~104°F
IP Rating	Suitable for damp locations

Photometric Data

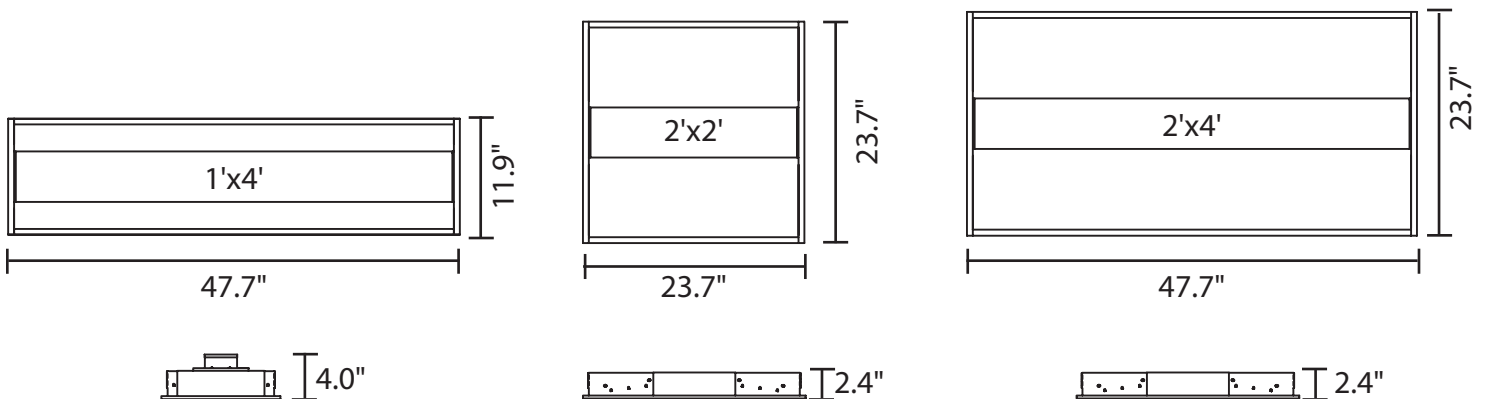
* IESNA LM-63 IES Available



Performance Table

SKU	Wattage (W)	4000K					
		Delivered Lumens (lm)	System Efficacy (lm/W)	Delivered Lumens (lm)	System Efficacy (lm/W)	Delivered Lumens (lm)	System Efficacy (lm/W)
VT-14-LS-40-P	20/30/36	(20W) 2500	125	(30W) 3750	125	(36W) 4500	125
VT-22-LS-40-P	20/30/36	(20W) 2500	125	(30W) 3750	125	(36W) 4500	125
VT-24-LS-40-P	30/35/40	(30W) 3750	125	(35W) 4375	125	(40W) 5000	125

Product Dimensions

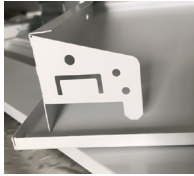


Weight: 8.5 lbs.

Weight: 7.7 lbs.

Weight: 12.1 lbs.

Accessories



Integrated Recessed Mounting Clips (Included)



Flange Mount Kit (Drywall Recessed Mounting) [8814-FMK, 8822-FMK, 8824-FMK]



Bi-level Occupancy/Daylight Harvesting Sensor [M]



TGS- Wireless Configuration Tool (Sold Separately) [RC-RC-100]



8ft Three Wire Whip [88-WP8-3C]



6W Emergency Battery Driver (Factory Installed) [EM]



Cover box for Emergency Battery Backup (Comes with Emergency Battery Driver when ordered)



Bodine Inverter 10W (Optional) [ELIS10CDF]



Emergency Inverter 12W (Optional) [WP-CEP-12C-200VPE1]

Control Pre-Commissioning

Default settings are indicated by *

High-end Trim/Tuning	Sensitivity Range	Time Delay	Daylight Harvesting	Stand-by Light Level Setting	Stand-by Time Setting
70%	20%	10s	*Light sensor disabled	0%	∞
80%	50%	1min	1 FC (10 lux)	*10%	1min
90%	75%	*5min	3 FC (30 lux)	30%	30min
*100%	*100%	15min	5 FC (50 lux)	50%	*60min

High-End Trim/Tuning:

Setting that determines the maximum lumen output through high-end trim tuning, can be reduced by up to 30 percent.

Sensitivity Range:

Setting that determines the sensitivity range of the motion sensor when the daylight sensor is disabled.

Time Delay:

The light can be set to stay ON for any period of time between approx. 10 sec. to a maximum of 60 min. Any movement detected before this time elapse will re-start the timer.

Daylight Harvesting:

The chosen light response threshold can be disabled or respond when photocell detects foot candle levels 1-5 FC

Stand-by Light Level:

Setting determines how much lumen output is dimmed down to when no motion is detected.

Stand-by Time:

Setting determines how long after stand-by light level occurs the light will shut off. Up to 60 minutes.