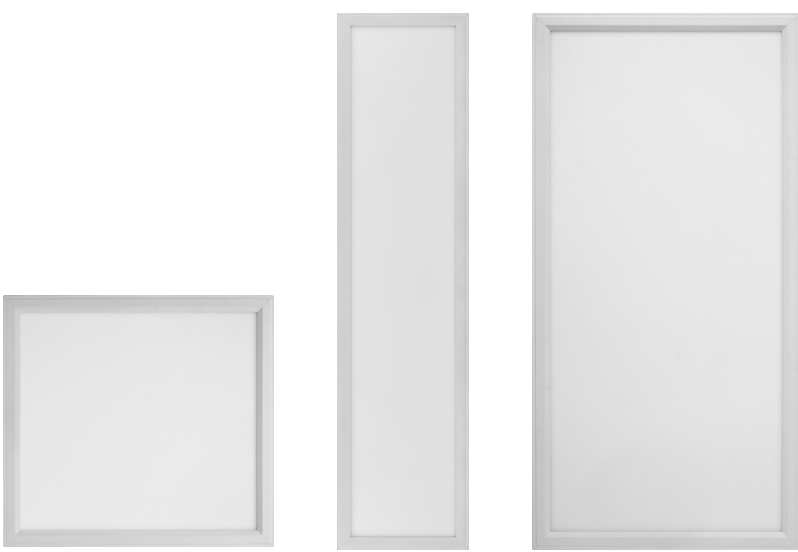


Date:	
Project Name:	
SKU #:	

ThinTek™ G2
Wattage and CCT Selectable Edgelit Panel



APPLICATIONS

Commercial, Retail, Institution, and Hospitality

FEATURES

- | | |
|--|--|
| <p>Construction</p> <ul style="list-style-type: none"> - Extruded Aluminum Frame & Stamped Aluminum Housing with Integral Earthquake Clips [Option] | <p>Finish</p> <ul style="list-style-type: none"> - White |
| <p>Electrical & Technical</p> <ul style="list-style-type: none"> - Input Voltage: 100-277V - Input Frequency: 50/60Hz - Projected L70 > 50,000 hrs - PF: >0.9 - CRI: >80 [Standard] Or >90* [Option] - THD: <20% - CCT Selectable: 3000K/3500K/4000K - Field Adjustable Lumen Output - Operating Temp.: -4°F ~ 122°F - Damp Location Rated - Integrated Driver - 12W Emergency Inverter [Option] - 10W Bodine Inverter [Option] | <p>Optical</p> <ul style="list-style-type: none"> - Frosted Diffuser <p>Installation/Mounting</p> <ul style="list-style-type: none"> - Recessed Mounted - Surface Mount Kit: <ul style="list-style-type: none"> - 3" Octagon [2-1/8" Deep] - 4" Octagon [2-1/8" Deep] - 4" Round [2-1/8" Deep] - 4" Square [2-1/8" Deep] |
| <p>Controls</p> <ul style="list-style-type: none"> - 0-10V Dimming (Dims to 10%) <p>Recommended Dimmer List:</p> <ul style="list-style-type: none"> Leviton: IP-710-DL Lutron: Diva-Dvtv | <p>Warranty</p> <ul style="list-style-type: none"> - 5 Year Warranty See warranty documentation for more information. |

Lumen Output

- 1'x4': 20W (2,200lm)/30W (3,300lm)/40W (4,400lm)
- 2'x2': 20W (2,200lm)/30W (3,300lm)/40W (4,400lm)
- 2'x4': 30W (3,300lm)/40W (4,400lm)/50W (5,500lm)

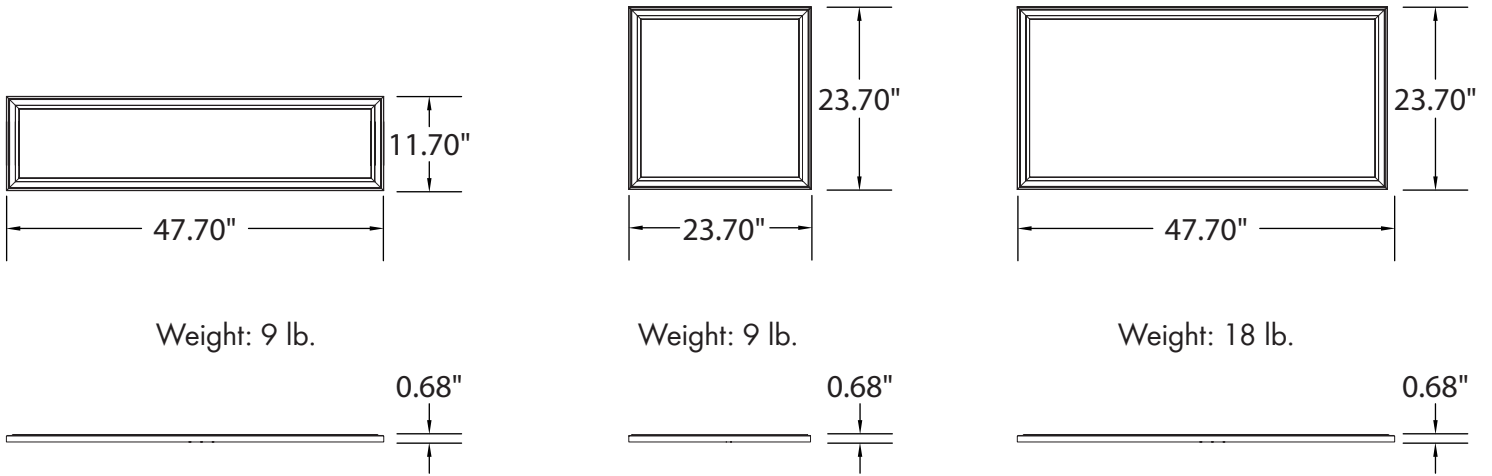


ORDERING INFORMATION **EXAMPLE: 8814WS-C-T-F-SK**

Edgelit Panel	Size	Wattage	CCT	Series	Diffuser	Mounting Options	CRI Option
88	14 - 1'x4' 22 - 2'x2'	WS - 20W/30W/40W	C- 3000K/3500K/4000K	T - ThinTek™	F - Frosted	RM (Recessed Mount) SK (Surface Mount Kit)	90CRI (Option*)
	24 - 2'x4'	WS - 30W/40W/50W					

- Accessories**
- ELIS10CDF (10W Bodine Inverter)
 - TGS-15W-INT (15W Emergency Inverter)

DIMENSIONS



LUMEN OUTPUT

SKU	Size (LxW)	Wattage (W)	Delivered Lumens (lm)	Efficacy (lm/W)	Delivered Lumens (lm)	Efficacy (lm/W)	Delivered Lumens (lm)	Efficacy (lm/W)
8814WS-C-TF	1'x4'	20/30/40	2200 (20W)	110	3300 (30W)	110	4400 (40W)	110
8822WS-C-TF	2'x2'	20/30/40	2200 (20W)	110	3300 (30W)	110	4400 (40W)	110
8824WS-C-TF	2'x4'	30/40/50	3300 (30W)	110	4400 (40W)	110	5500 (50W)	110

ACCESSORIES



Surface Mount Kit
[8814-SK-T]
[8822-SK-T]
[8824-SK-T]



Recessed Mount
[RM]



Bodine Inverter
10W
(Option)
[ELIS10CDF]



Emergency Inverter
15W
(Option)
[TGS-15W-INT]