

|               |  |
|---------------|--|
| Date:         |  |
| Project Name: |  |
| SKU #:        |  |

**CHB-E™**  
Circular Select High Bay



**APPLICATIONS**

Commercial and Industrial

**FEATURES**

**Construction**

- Die-cast Aluminum Alloy Housing

**Finish**

- Black
- White

**Electrical & Technical**

- Input Voltage: 100-277V
- Input Frequency: 50/60Hz
- Projected Life: L70 > 54,000 hrs
- PF: >0.95
- CRI: 80
- THD: <20%
- Adjustable Lumen Output
- CCT: 4000K or 5000K
- Operating Temp.: -22°F ~ 122°F
- IP Rating: IP65
- IK Rating: IK08
- UGR Level: 26
- Surge Protection: 4kV
- 60W Emergency Inverter [Option]

**Optical**

- PC Optical Lens
- Beam Angle:
  - 120° [Standard]
  - 90°
  - 60°
- PC Reflectors [Option]
- Aluminum Reflectors [Option]
- Wire Guard [Option]

**Installation/Mounting**

- Loop Mount [Standard] [Chain Not Provided]
- Surface Mount Bracket [Option]
- Pendant Mount [3/4" NPT]

**Controls**

- 0-10V Dimming [Dims to 10%]
- Bi-level Occupancy/Daylight Harvesting Sensor IP65 [Option]

**Lumen Output**

- 200W: 28,000lm

**Warranty**

- 5 Year Warranty
- 7/10 Year Warranty Available.
- See warranty documentation for more information.



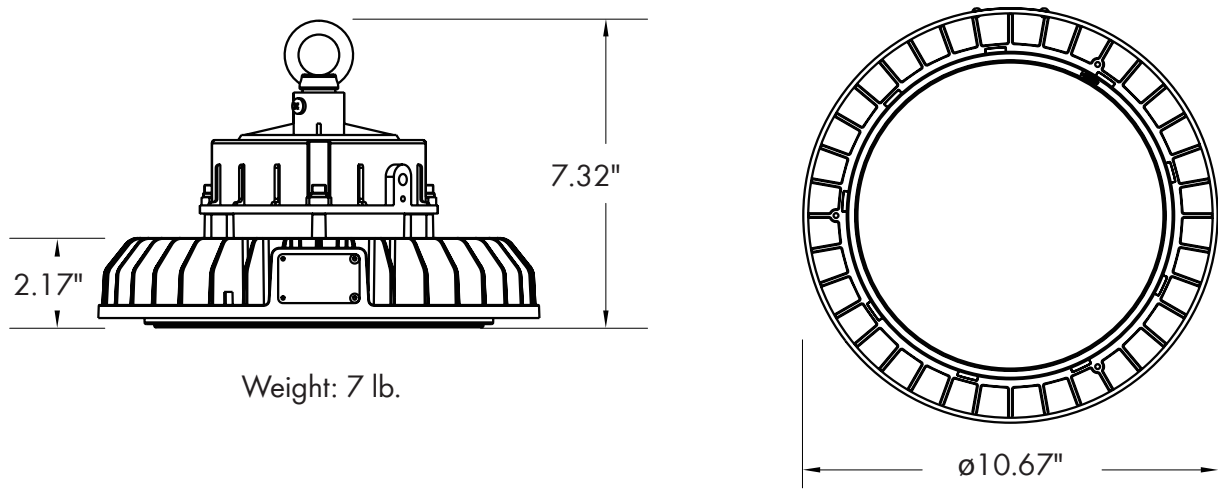
**ORDERING INFORMATION** **EXAMPLE: CHB-E-L-40-WD-U-D-B-LM**

| CHB-E  |                         |                          |            |               |                   |                        |  |   |
|--------|-------------------------|--------------------------|------------|---------------|-------------------|------------------------|--|---|
| Series | Wattage                 | CCT                      | Beam Angle | Input Voltage | Dimming           | Finish                 | Mounting Option  | Controls Option   |
| CHB-E  | L - 200W/150W/120W/100W | 40 - 4000K<br>50 - 5000K | WD - 120°  | U - 100-277V  | D - 0-10V Dimming | B - Black<br>W - White | LM - Loop Mount<br>SM - Surface Mount<br>PM - Pendant Mount 3/4" | M - Bi-level Occupancy/<br>Daylight Harvesting<br>Sensor [IP65] |

**Accessories** **Distribution Options**

- |   |   |
|---|---|
| <ul style="list-style-type: none"> <li>TGS-60W-HB-INT (60W Emergency Inverter)</li> <li>SAFETY-SC (Safety Chain)</li> <li>CHB-E-L-WG-B (Wire Guard - Black)</li> <li>CHB-E-L-WG-W (Wire Guard - White)</li> </ul> | <ul style="list-style-type: none"> <li>CHB-E-L-AM (Aluminum Reflector [80°])</li> <li>CHB-E-L-PM (PC Reflector [90°])</li> <li>CHB-E-L-MD (Medium Distribution Optic [90°])</li> <li>CHB-E-L-ND (Narrow Distribution Optic [60°])</li> <li>CHB-E-L-LC (Lens Cover For PC Reflector [100°])</li> </ul> |
|---|---|

**DIMENSIONS**



**LUMEN OUTPUT**

| SKU                    | Wattage (W)     | Delivered Lumens (lm) 100% | Efficacy (lm/W) | Delivered Lumens (lm) 75% | Efficacy (lm/W) | Delivered Lumens (lm) 60% | Efficacy (lm/W) | Delivered Lumens (lm) 50% | Efficacy (lm/W) |
|------------------------|-----------------|----------------------------|-----------------|---------------------------|-----------------|---------------------------|-----------------|---------------------------|-----------------|
| CHB-E-L-50-WD-U-D-HM-X | 200/150/120/100 | 28000                      | 140             | 21000                     | 140             | 16800                     | 140             | 14000                     | 140             |

**ACCESSORIES**



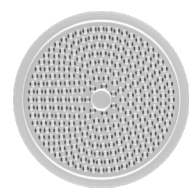
Loop Mount  
(Chain Not Included)  
(Standard)  
[LM]



Surface Mount  
(Tilt 30°)  
(Option)  
[SM]



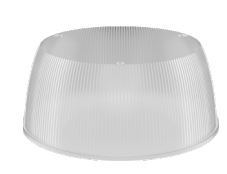
Pendant Mount  
[3/4" NPT]  
(Option)  
[PM]



90° or 60° Optic Lens  
(Option)  
[CHB-E-L-MD]  
[CHB-E-L-ND]



80° Aluminum Reflector  
(Option)  
[CHB-E-L-AM]



90° PC Reflector  
(Option)  
[CHB-E-L-PM]



PC Reflector  
Lens Cover  
(Option)  
[CHB-E-L-LC]



60W  
Emergency  
Battery Backup  
(Option)  
[TGS-60W-HB-INT]



Bi-level Occupancy/  
Daylight Harvesting  
Sensor [IP65]  
[M]



Safety Chain  
(Option)  
[SAFETY-SC]



Wire Guard  
(Option)  
[CHB-E-L-WG-B]  
[CHB-E-L-WG-W]

## CONTROL PRE-COMMISSIONING

Default setting are indicated by \*

| High-End Trim/<br>Tuning              | Time<br>Delay | Daylight<br>Harvesting        | Stand-by Light<br>Level Setting | Stand-by Time<br>Setting |
|---------------------------------------|---------------|-------------------------------|---------------------------------|--------------------------|
| 20% - 8' Height (48' Dia.)            | 10s           | <b>Light Sensor Disabled*</b> | 0%                              | ∞                        |
| 50% - 20' Height (40' Dia.)           | 1min          | 1FC (10lux)                   | <b>10%*</b>                     | 1min                     |
| 75% - 40' Height (60' Dia.)           | <b>10min*</b> | 3FC (30lux)                   | 30%                             | 30min                    |
| <b>100% - 40' Height (100' Dia.)*</b> | 15min         | 5FC (50lux)                   | 50%                             | <b>60min*</b>            |

### High-End Trim/Tuning:

Setting that determines the maximum lumen output through high-end trim tuning, can be reduced by up to 30 percent.

### Sensitivity Range:

Setting that determines the sensitivity range of the motion sensor when the daylight sensor is disabled.

### Time Delay:

The light can be set to stay ON for any period of time between approx. 10 sec. to a maximum of 60 min.

Any movement detected before this time elapse will re-start the timer.

### Daylight Harvesting:

The chosen light response threshold can be disabled or respond when photocell detects foot candle levels 1-5 FC

### Stand-by Light Level:

Setting determines how much lumen output is dimmed down to when no motion is detected.

### Stand-by Time:

Setting determines how long after stand-by light level occurs the light will shut off. Up to 60 minutes.