

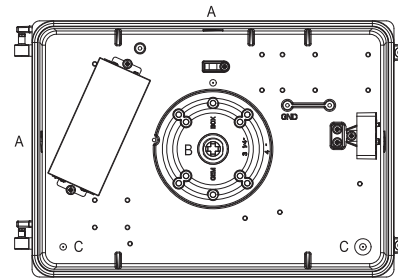
WARNING

PLEASE READ ALL INSTRUCTIONS BEFORE ATTEMPTING INSTALLATION

- To prevent personal injury or product damage only licensed electricians should install.
- To avoid electric shock or component damage disconnect power before attempting installation or servicing.
- This product must be installed in accordance with the national electric code (NEC) and all applicable federal, state and local electric codes and safety standards.
- Disconnect product and allow cooling prior to servicing.
- Any alteration or modification of this product is expressly forbidden as it may cause serious personal injury, death, property damage and/or product malfunction.
- To prevent product malfunction and/or electrical shock this product must be properly grounded.
- This luminaire is designed to operate in ambient temperatures ranging from -30°c to 40°c and to be horizontally mounted with the LEDs facing down.
- Wall mount only.

1. JUNCTION BOX MOUNTING

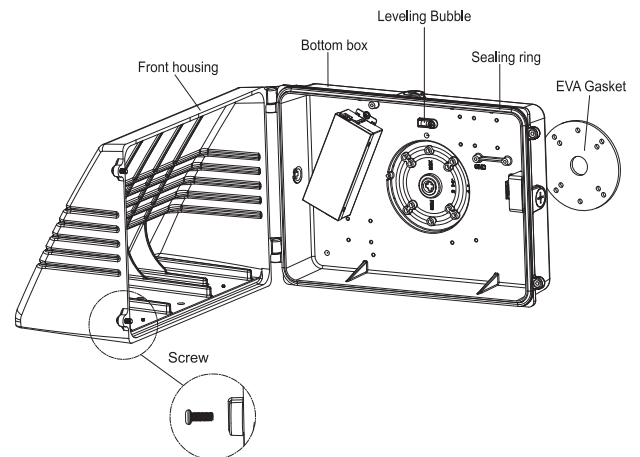
1. Loosen screws and remove the front lens set carefully from the back plate.
2. Drill appropriate knockouts (B) for wiring, the fixture supports standard 3-1/4" and 4" junction box.
3. Attach the back plate on the wall, use the supplied gaskets for a weather tight seal.
4. Finish wiring (Black for Line, White for Neutral and Yellow Green for Ground).
5. Replace the lens set on the hinges, make connections and close the lens set then tighten the screws.



- A - 1/2" NPS tapped holes (surface conduit or photo control)
- B - 3/4" dia. Screw hole
- C - 5/16" dia. Screw hole

2. CONDUIT MOUNTING

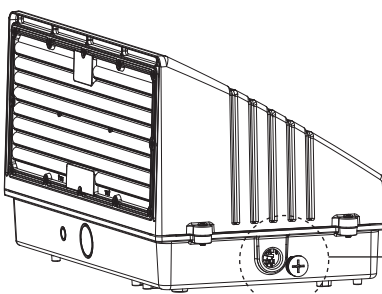
1. Loosen screws and remove the front lens set carefully from the back plate.
2. Remove 1/2" plug from where you intend to feed conduit.
3. Drilling out the holes (C) to secure it on the wall with choosing proper screws.
4. Finish wiring (Black for Line, White for Neutral and Yellow Green for Ground).
5. Replace the lens set on the hinges, make connections and close the lens set then tighten the screws.



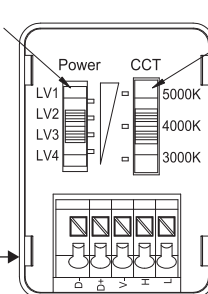
Note: To ensure waterproof seal, apply weatherproof silicone sealant around the edge of the wall mounting box and /or junction box. This is especially important with an uneven wall surface. Silicone all plugs and unused conduit entries.

3. POWER AND CCT SELECTABLE SWITCH

1. Remove the 1/2" screw plug on the bottom of the fixture.
2. Select Power (White) and CCT (Black) by sliding the respective switch to the desired value according to the figure.
3. Replace the 1/2" screw plug and tighten with a flat head screwdriver.



POWER		
LV1	70W	125W
LV2	56W	100W
LV3	42W	75W
LV4	28W	50W



Power and CCT dial switch

Note: The tunable does not work normally with sensor

TROUBLESHOOTING

1. Check that the line voltage at the fixture is correct. Refer to wiring directions
2. Is the fixture grounded properly?
3. Be sure that the photocell, if used, is functioning properly.

WIRING DIAGRAM

WITHOUT EMERGENCY BATTERY

LED FIXTURES	Black	Line
	White	Neutral
	Green/Yellow Green	Ground
	Purple	DIM+
	Pink	DIM-

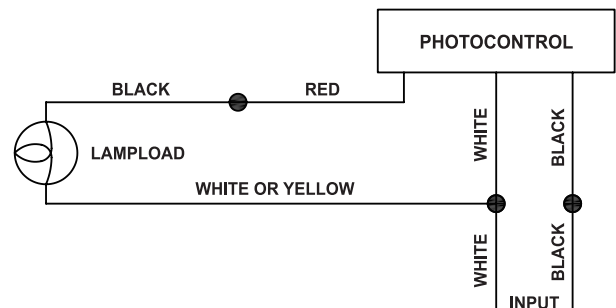
EMERGENCY BATTERY

LED FIXTURES	Red	AC line(24/7)
	Black	AC line switch
	White	Neutral
	Green/Yellow Green	Ground
	Purple	DIM+
	Pink	DIM-

PHOTOCELL INSTALLATION

Universal voltage driver permits operation at 120V to 277VAC, 60 Hz except fixtures factory ordered with a 120V photocell (P1) or 277V photocell (P2)

1. Install photocell and wire as per diagram.
2. Use photocell rated for your supply voltage.



TROUBLESHOOTING

1. Check that the line voltage at the fixture is correct. Refer to wiring directions
2. Is the fixture grounded properly?
3. Be sure that the photocell, if used, is functioning properly.

WIRING DIAGRAM

WITHOUT EMERGENCY BATTERY

LED FIXTURES	Black	Line
	White	Neutral
	Green/Yellow Green	Ground
	Purple	DIM+
	Pink	DIM-

EMERGENCY BATTERY

LED FIXTURES	Red	AC line(24/7)
	Black	AC line switch
	White	Neutral
	Green/Yellow Green	Ground
	Purple	DIM+
	Pink	DIM-

PHOTOCELL INSTALLATION

Universal voltage driver permits operation at 120V to 277VAC, 60 Hz except fixtures factory ordered with a 120V photocell (P1) or 277V photocell (P2)

1. Install photocell and wire as per diagram.
2. Use photocell rated for your supply voltage.

