

Date:	
Project Name:	
SKU #:	

RDN™ M-Series

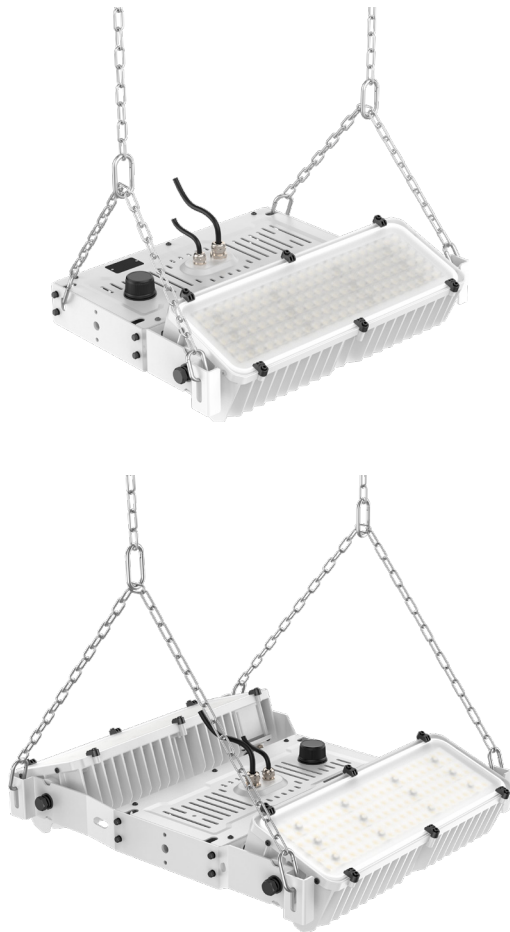
High-Output Indirect Luminaire



**Natatorium
Rated**



**Power
Selectable**

**APPLICATIONS**

Commercial, Industrial, and Institution

FEATURES**Construction**

- Powder Coated Aluminum Alloy

Finish

- White
- C4 Anti-Corrosion
(ISO 9223A:2012)

Electrical & Technical

- Input Voltage: 120-277V
277-480V [Option]
- Input Frequency: 50/60Hz
- Projected Life: L70 > 100,000 hrs
- PF: >0.9
- CRI: >80
- THD: <20%
- Field Adjustable Lumen Output
- CCT: 5000K
- Operating Temp.: -22°F ~ 122°F
- IP Rating: IP65
- IK Rating: IK08- 6kV Surge Protection
- 4.9' [SJTW (300V)][120-277V/
STW (600V)][277-480V]] Rated
Power Cable [Included]

Optical

- 33°
- 43° [Standard]
- 39°x81° Asymmetrical

Installation/Mounting

- Hanging Mount
- Yoke Mount
- Pendant Mount Kit (3/4"NPT)
[Stem not included]
- Wall Mount [Only For 300W]

Controls

- 0-10V Dimming:
When 0-10V is selected the wattage selectable function is off.

Lumen Output

M1:
• 150W: 23,250lm
• 225W: 34,870lm
• 300W: 46,065lm
M2:
• 300W: 46,065lm
• 450W: 68,850lm
• 600W: 88,317lm

Warranty

- 5 Year Warranty
See warranty documentation for
more information.

**ORDERING INFORMATION****EXAMPLE: RDN-M1-50-MD-U-D-W-HM**

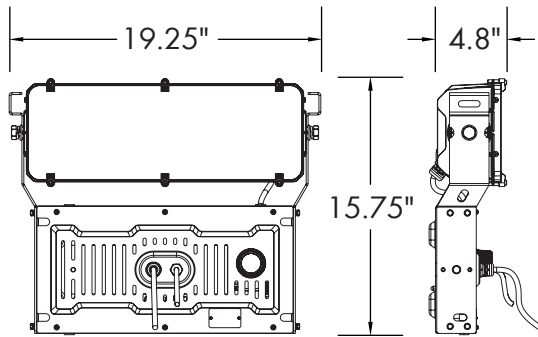
Series	Wattage	CCT	Beam Angle	Input Voltage	Dimming	Finish	Mounting Options
RDN	M1- 300W/225W/150W M2- 600W/450W/300W	50 - 5000K	ND - 33° MD - 43° AS - 39°x81° Asymmetrical	U - 120-277V H - 277-480V	D - 0-10V Dimming	W - White	HM - Hanging Mount PM - 3/4" Stem Pendant Mount YM - Yoke Mount WM - Wall Mount (Only for 300W)

Accessories

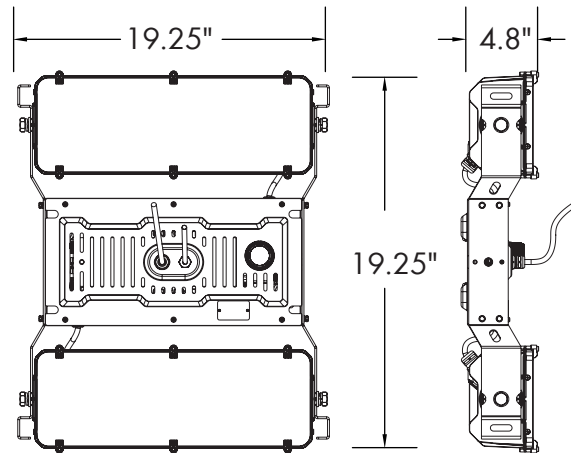
VIS-A (Visor A: For ASYM 35° Lens)
VIS-B (Visor B: For 33° or 43° Lens)

DIMENSIONS

Suspended Mount

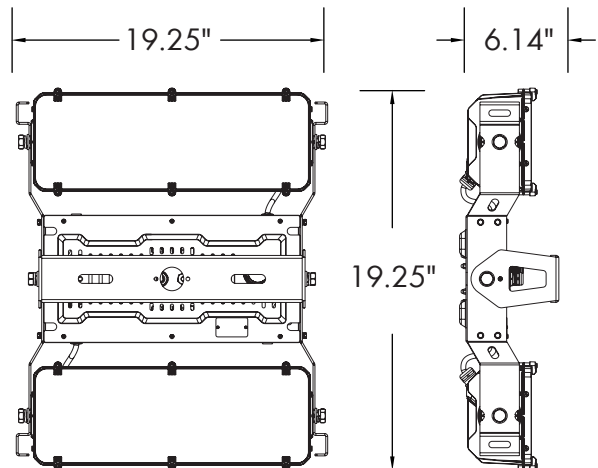
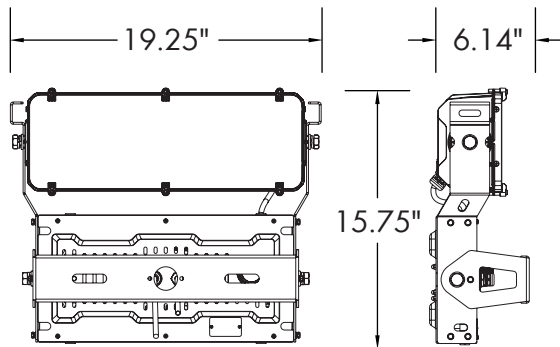


Weight: 22.49 lb.

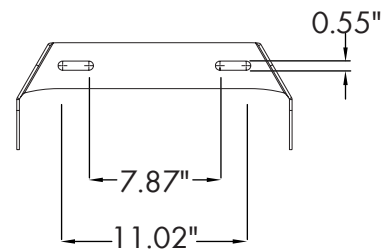
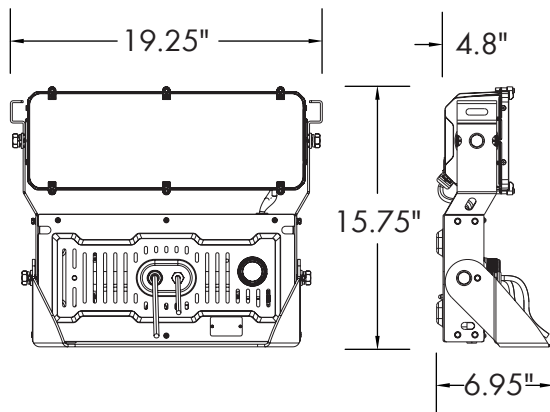


Weight: 35.49 lb.

Yoke Mount

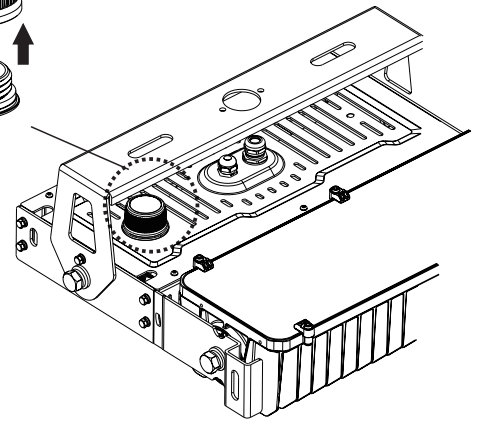
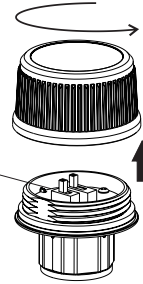
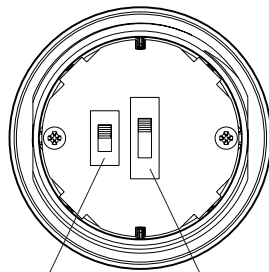
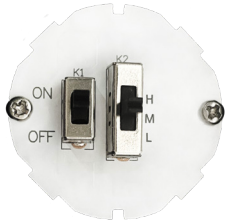


Wall Mount [For Only M1]



WATTAGE SELECTABLE CONTROLS

Note:
Wattage Selectable and 0-10V Dimming Function Optional.
Default Setting:Wattage Selectable function is set at 100% Brightness



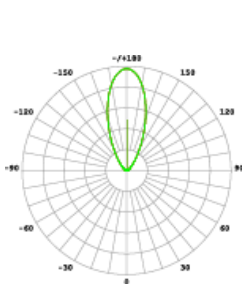
Percentage	M1	M2
100%	300W	600W
75%	225W	450W
50%	150W	300W

ON Power selectable
OFF 0-10V DIM

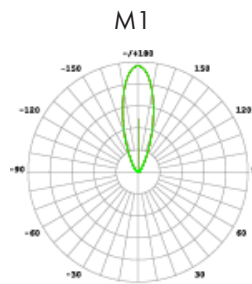
Power Selectable

- H(100%)
- M(75%)
- L(50%)

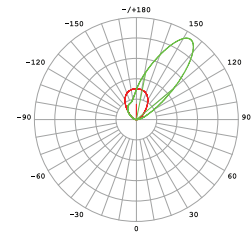
DISTRIBUTION



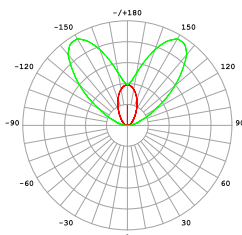
43°
Symmetrical



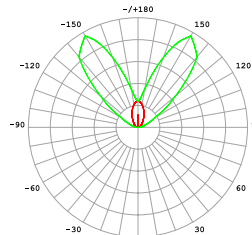
33°
Symmetrical



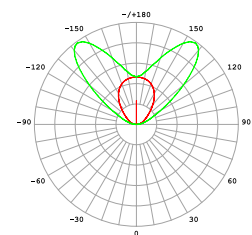
39° x 81°
Asymmetrical



43°
Symmetrical
Dual Module
Tilt 30°



33°
Symmetrical
Dual Module Tilt
30°



39° x 81°
Asymmetrical
Dual Module Tilt
35°

LUMEN OUTPUT

SKU	Wattage (W)	Delivered Lumens (lm)	Efficacy (lm/W)	Delivered Lumens (lm)	Efficacy (lm/W)	Delivered Lumens (lm)	Efficacy (lm/W)
RDN-M1-50-MD-U-D-W-HM	150W/225W/300W	23250	155	34875	155	46065	153
RDN-M2-50-MD-U-D-W-HM	300W/450W/600W	46065	153	68850	153	88317	147

ACCESSORIES



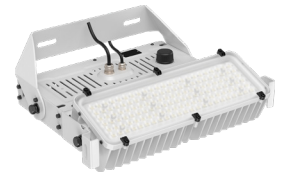
Hanging Mount
[HM]



Yoke Mount
[YM]



3/4" Thread
Pendant Mount
(Stem Not Included)
[PM]



Wall Mount
(Only For M1)



Visor A
(For Asymmetrical
Intense 35° Lens)
[VIS-A]



Visor B
(For 33° or 43° Lens)
[VIS-B]