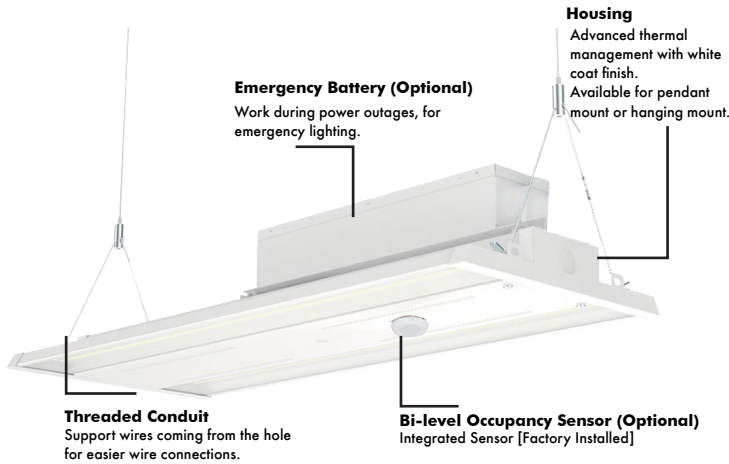
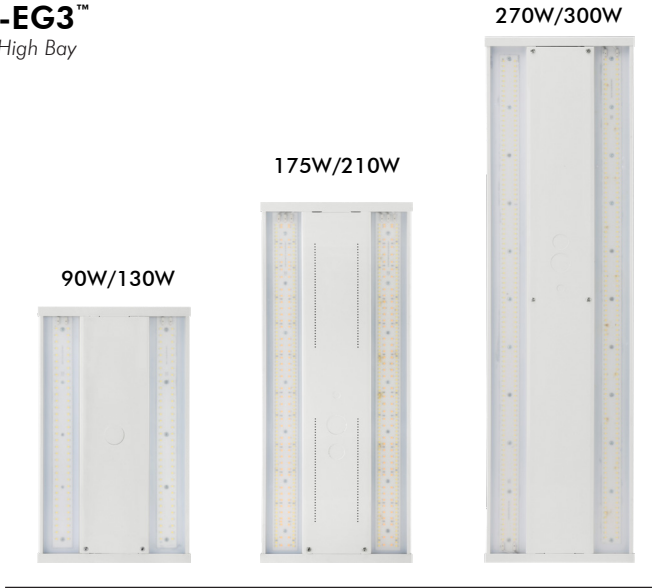


Date:	
Project Name:	
SKU #:	

LHB-EG3™
Linear High Bay



APPLICATIONS

Commercial and Industrial

FEATURES

Construction

- Cold-Rolled Steel Housing

Finish

- Matte White

Electrical & Technical

- Input Voltage: 120~277V 347/480V [Option]
- Input Frequency: 50/60Hz
- Projected Life: L70 > 50,000 hrs
- PF: >0.9
- CRI: 80
- THD: <20%
- CCT: 4000K or 5000K
- Operating Temp.: -40°F ~ 122°F
- Damp Location Rated
- 8W Emergency Battery Backup [Option] [Factory Installed] [For 90W & 130W]
- 15W Emergency Battery Backup [Option] [Factory Installed] [For 175W ~ 300W]

Optical

- Semi-Frosted Diffuser [Standard]

Installation/Mounting

- Hanging Mount [5' Aircraft Cable]
- 3/4" Pendant Mount Kit [Option - Not Supported with Emergency Battery Backup]

Controls

- 0-10V Dimming
- Integrated Bi-level Occupancy/Daylight Harvesting Sensor [Option] [Factory Installed]

Lumen Output

- 90W: 12,700lm
- 130W: 18,600lm
- 175W: 25,000lm
- 210W: 30,600lm
- 270W: 35,200lm
- 300W: 41,500lm

Warranty

- 5 Year Warranty
See warranty documentation for more information.

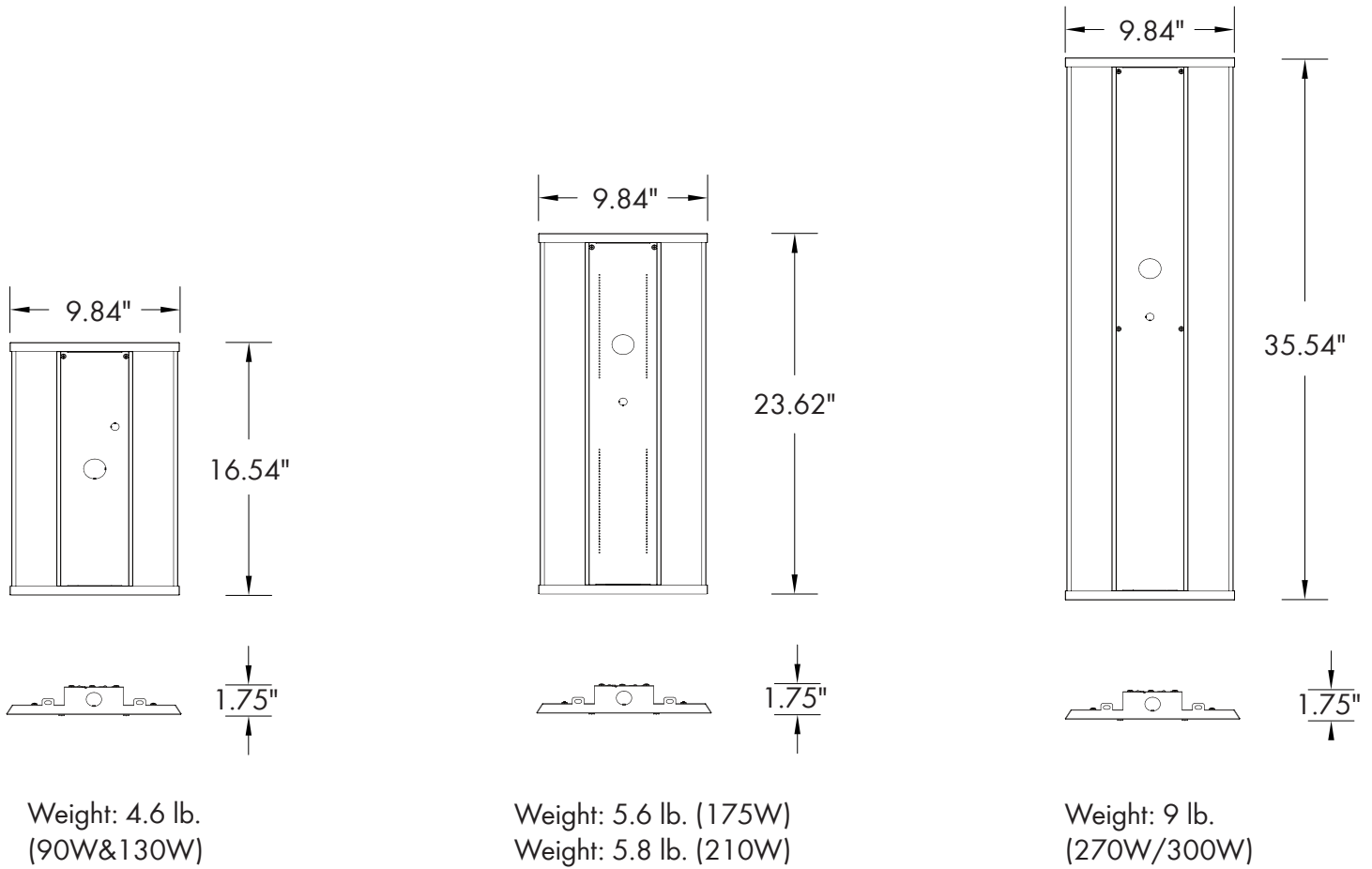


ORDERING INFORMATION **EXAMPLE: LHB-EG3-90W-40-U-D-HM**

Series	Wattage	CCT	Input Voltage	Dimming	Mounting Option	Control Option	EM Battery Option
LHB-EG3	90W 130W 175W 210W 270W 300W	40 - 4000K 50 - 5000K	U - 120-277V H - 347/480V	D - 0-10V Dimming	HM - Hanging Mount PM - Pendant Mount (3/4")	[Blank] No Sensor M - Bi-level Occupancy/Daylight Harvesting Sensor	[Blank] No EM EM08 - 8W Battery Backup EM15 - 15W Battery Backup

Accessories
88-WP8-3C (8' Three Wire Whip [18AWG])
88-WP8-5C (8' Five Wire Whip [18AWG])
88-WP8-6C (8' Six Wire Whip [18AWG])
RC-RC-100 (Wireless Configuration Tool)
LHB-EG3-WG1 (Wire Guard - 90W/130W)
LHB-EG3-WG2 (Wire Guard - 175W/210W)
LHB-EG3-WG3 (Wire Guard - 270W/300W)

DIMENSIONS



LUMEN OUTPUT

SKU	Wattage (W)	Delivered Lumens (lm)	Efficacy (lm/W)
LHB-EG3-90W-50-U-D-HM	90	12700	141
LHB-EG3-130W-50-U-D-HM	130	18600	143
LHB-EG3-175W-50-U-D-HM	175	25000	143
LHB-EG3-210W-50-U-D-HM	210	30600	146
LHB-EG3-270W-50-U-D-HM	270	37000	130
LHB-EG3-300W-50-U-D-HM	300	41500	140

ACCESSORIES



Hanging Mount
(Standard)



3/4" Conduit
Pendant Mount
(Option)
[PM]



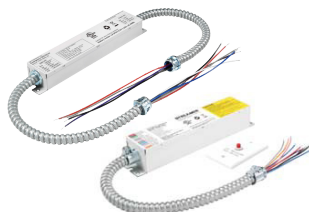
Bi-level
Occupancy/Daylight
Harvesting Sensor
[M]



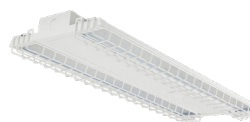
Wireless
Configuration
Tool
(Sold Separately)
[RC-RC-100]



8' 3, 5 or 6
Wire Whip
[88-WP8-3C]
[88-WP8-5C]
[88-WP8-6C]



Emergency Battery Backup
8W or 15W
(Factory Installed)
[EM08]
[EM15]



Wire Guard
(Option)
[LHB-EG3-WG1]
[LHB-EG3-WG2]
[LHB-EG3-WG3]

CONTROL PRE-COMMISSIONING

Default setting are indicated by *

High-End Trim/ Tuning	Sensitivity Range	Time Delay	Daylight Harvesting	Stand-by Light Level Setting	Stand-by Time Setting
70%	20%	10s	Light Sensor Disabled*	0%	∞
80%	50%	1min	1FC (10lux)	10%*	1min
90%	75%	10min*	3FC (30lux)	30%	30min
100%*	100%*	15min	5FC (50lux)	50%	60min*

High-End Trim/Tuning:

Setting that determines the maximum lumen output through high-end trim tuning, can be reduced by up to 30 percent.

Sensitivity Range:

Setting that determines the sensitivity range of the motion sensor when the daylight sensor is disabled.

Time Delay:

The light can be set to stay ON for any period of time between approx. 10 sec. to a maximum of 60 min. Any movement detected before this time elapse will re-start the timer.

Daylight Harvesting:

The chosen light response threshold can be disabled or respond when photocell detects foot candle levels 1-5 FC

Stand-by Light Level:

Setting determines how much lumen output is dimmed down to when no motion is detected.

Stand-by Time:

Setting determines how long after stand-by light level occurs the light will shut off. Up to 60 minutes.