

Date:	
Project Name:	
SKU #:	

**WPS™**  
Semi-Cutoff Wall Pack



**APPLICATIONS**

Commercial, Industrial, Retail, Institutions

**FEATURES**

**Construction**

- Rugged Die-cast Aluminum Housing

**Finish**

- Dark Bronze

**Electrical & Technical**

- Input Voltage: 120-277VAC
- Input Frequency: 50/60Hz
- Projected Life: L70 > 50,000 hrs
- PF: >0.9
- CRI: >80
- THD: <20%
- CCT: 3000K/4000K/5000K
- Operating Temp.: -40°F ~ 104°F
- Suitable For Wet Location
- 8W Emergency Battery Backup  
**(Option Available For Medium Size)**  
[Factory Installed]

**Optical**

- Polycarbonate Optical Lens
- Type III Distribution

**Installation/Mounting**

- J-box Wall Mounted With 1/2" NPT Conduit Opening

**Controls**

- 1-10V Dimming
- Button Photocell [Option] [Field or Factory Installed]
- Bi-level Occupancy/Daylight Harvesting Sensor [Option] [Factory Install]

**Lumen Output**

- 62W: 7,814lm
- 100W: 12,468lm

**Warranty**

- 5 Year Warranty
- See warranty documentation for more information.



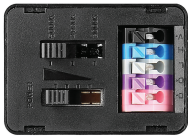
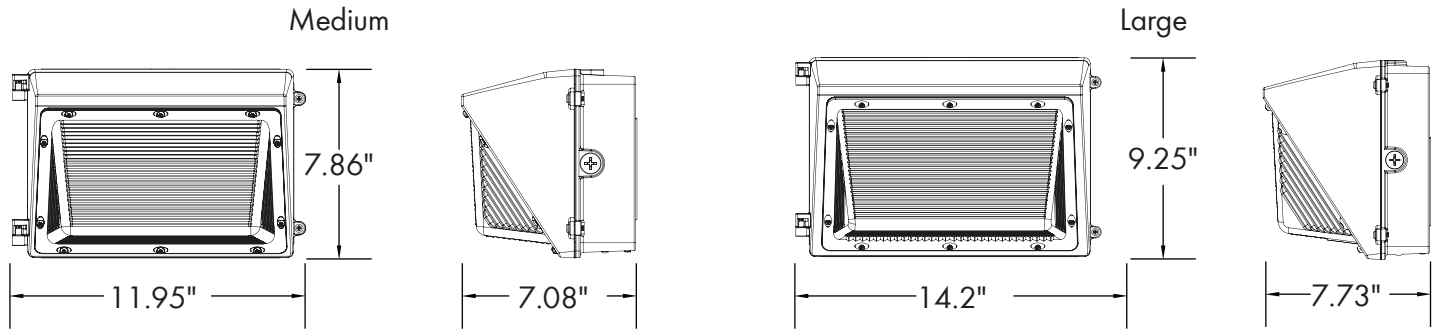
**ORDERING INFORMATION** **EXAMPLE: WPS-L-L-C-U-D**

WPS					
Series	Size	Wattage	CCT	Input Voltage	Finish
WPS	M - Medium	L (62W/52W/39W/26W)	C - 3000K/4000K/5000K	U - 120-277V	D - Dark Bronze
	L - Large	L (100W/78W/61W/40W)			

**Accessories**

- WP-PH (Button Photocell)
- WPS-M (Bi-level Occupancy/Daylight Harvesting Sensor)
- WPS-EM (8W Emergency Battery Backup [Available for Medium Size])
- RC-RC-100 (Wireless Configuration Tool)

## DIMENSIONS



Field Adjustable  
Lumen & CCT Switches

## LUMEN OUTPUT

SKU	Wattage (W)	Delivered Lumens (lm) 100%	Efficacy (lm/W)	Delivered Lumens (lm) 80%	Efficacy (lm/W)	Delivered Lumens (lm) 60%	Efficacy (lm/W)	Delivered Lumens (lm) 40%	Efficacy (lm/W)
WPS-M-L-C-U-D	62/52/39/26	7814	126	6640	127	5255	134	3675	141
WPS-L-L-C-U-D	100/78/61/40	12468	124	10160	130	8581	140	6089	112

## ELECTRICAL LOAD

Wattage (W)	Current (A)			
	120V	208V	240V	277V
62	0.23	0.13	0.11	0.10
100	0.83	0.48	0.42	0.36

## ACCESSORIES



Photocell  
[Field or Factory Installed]  
(Option)  
[WP-PH]



Bi-level Occupancy/  
Daylight Harvesting Sensor  
[Factory Install]  
[M]



Integrated  
8W Emergency  
Battery Backup  
(Available for Medium Size)  
[Factory Installed]  
(Option)  
[EM]



Wireless  
Configuration  
Tool  
(Sold Separately)  
[RC-RC-100]

## CONTROL PRE-COMMISSIONING

Default setting are indicated by\*

High-End Trim/ Tuning	Time Delay	Daylight Harvesting	Stand-by Light Level Setting	Stand-by Time Setting
20% - 8' height (48' dia.)	10s	<b>Light Sensor Disabled*</b>	0%	∞
50% - 20' height (40' dia.)	1min	1FC (10lux)	<b>10%*</b>	1min
75% - 40' height (60' dia.)	<b>10min*</b>	3FC (30lux)	30%	30min
<b>100%*</b> - 40' height (100' dia.)	15min	5FC (50lux)	50%	<b>60min*</b>

### High-End Trim/Tuning:

Lighting electricity usage can be reduced by 30 percent or more through high-end trim, which sets the maximum light level for each space. High-end trim/tuning sets the appropriate target brightness for each space to the prefer light levels to minimize glare and increase comfort level.

### Time Delay:

The light can be set to stay ON for any period of time between approx. 10 sec. to a maximum of 60 min. Any movement detected before this time elapse will re-start the timer.

### Daylight Harvesting:

The chosen light response threshold can be disabled or respond when photocell detects foot candle levels 1-5 FC

### Stand-by Light Level:

Setting determines how much lumen output is dimmed down to when no motion is detected.

### Stand-by Time:

Setting determines how long after stand-by light level occurs the light will shut off. Up to 60 minutes.