

Date:	
Project Name:	
SKU #:	

**RBL™**  
Bollard



## APPLICATIONS

Residential, Commercial, Pedestrian Walkways, Pathways

## FEATURES

### Construction

- Extruded 6061 Aluminum Alloy Body with Die-cast Top Heatsink

### Finish

- Dark Bronze [Standard]
- White\*
- Black\*
- Corrosion Resistance Polyester Power Coating

### Electrical & Technical

- Input Voltage: 120-277V
- Input Frequency: 50/60Hz
- Projected Life: L70 > 50,000 hrs
- PF: >0.9
- CRI: 80
- THD: <20%
- CCT Selectable: 3000K/4000K/5000K
- Operating Temp.: -40°F ~ 104°F
- IP Rating: IP65
- 8W Emergency Battery Backup [Option] [Factory Installed]

### Optical

- Frosted Diffused Lens
- Uniformed 360° Distribution

### Installation/Mounting

- Mounting includes steel bollard base and anchor bolts for sturdy installation.
- Base Cover Sold Separately

### Controls

- 0-10V Dimming

### Lumen Output

- 26W: 3100lm [5000K]

### Warranty

- 5 Year Warranty  
See warranty documentation for more information.

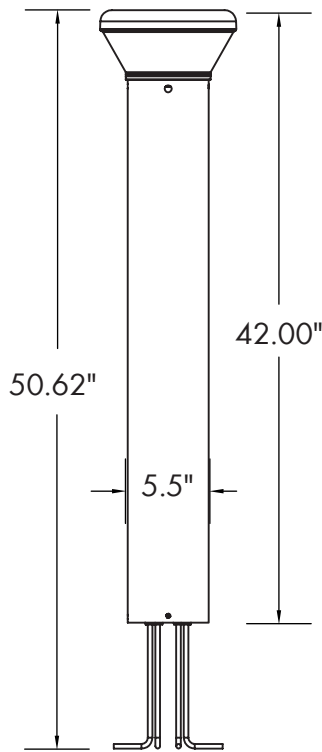


## ORDERING INFORMATION EXAMPLE: RBL-26W-C-U-D-D

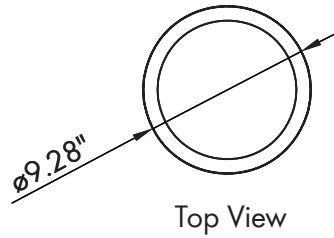
Series	Wattage	CCT	Input Voltage	Controls	Finish	Emergency Battery Backup Driver Option
RBL	26W	C - 3000K/4000K/5000K	U - 120-277V	D - 0-10V Dimming	D - Dark Bronze B - Black* W - White*	EM - Emergency Battery Backup Driver

Accessory  
RBL-BC (Base Cover)

**DIMENSIONS**



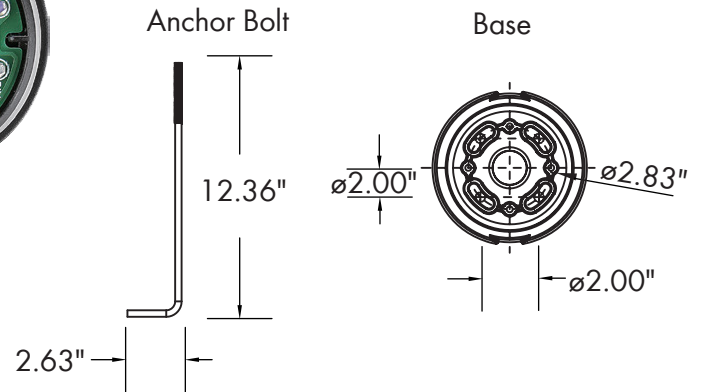
Weight: 12.13 lb.



Field Adjustable  
CCT Switch

**ACCESSORIES INCLUDED:**

Mounting Type	Accessory	Quantity
	Bollard Base	1
	MB-SS Nuts	4
	Anchor Bolts	4
	Spring Washer	4
	Round Screw Washer	4



**LUMEN OUTPUT**

SKU	Wattage (W)	Delivered Lumens (lm) (3000K)	Efficacy (lm/W)	Delivered Lumens (lm) (4000K)	Efficacy (lm/W)	Delivered Lumens (lm) (5000K)	Efficacy (lm/W)
RBL-26W-C-U-D-D	26	2800	96	3000	115	3100	119

**ELECTRICAL LOAD**

Wattage (W)	Current (A)			
	120V	208V	240V	277V
26	0.22	0.13	0.11	0.09

**ACCESSORIES**



Base Cover  
(Sold Separately)  
[RBL-BC]