

Date:	
Project Name:	
SKU #:	

Disk Downlight
Flush Mount



APPLICATIONS

Residential, Commercial, Multi-Family Complex

FEATURES

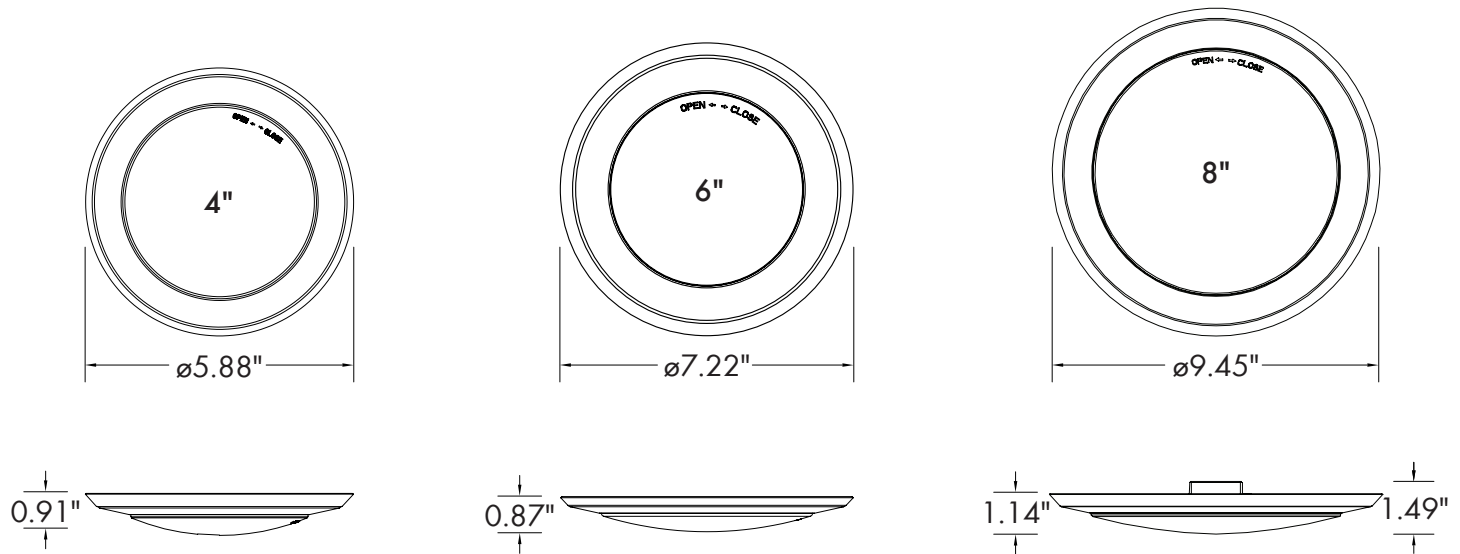
- | | |
|----------------------------------------------------------------------------------------------------------------------------------------------------------------------------------------------------------------------------------------------------------------------------------------------------------------------------------------------------------------------------------------|------------------------------------------------------------------------------------------------------------------------------------------------------------------------------------------------------------------------|
| <p>Construction</p> <ul style="list-style-type: none"> - Iron Shell Housing | <p>Finish</p> <ul style="list-style-type: none"> - White |
| <p>Electrical & Technical</p> <ul style="list-style-type: none"> - Input Voltage: 120VAC - Input Frequency: 60Hz - Projected Life: L70 > 50,000 hrs - PF: >0.9 - CRI: >90 - THD: <20% - CCT: 3000K, 4000K, or 5000K - Operating Temp.: -4°F ~ 122°F - Wet Location Rated | <p>Optical</p> <ul style="list-style-type: none"> - 120° Beam Angle |
| <p>Controls</p> <ul style="list-style-type: none"> - Triac Dimming | <p>Installation/Mounting</p> <ul style="list-style-type: none"> - Flush Mount: <ul style="list-style-type: none"> • 2.75" J-Box [4" or 8"Disk] • 3.5" J-Box |
| <p>Dimmer Compatibility List:</p> <p>Leviton: 6672, 6674, DSL06, PD-6WCL, MACL-153M/MA-R
 Lutron: TG-600PR-WH, S-600PR-WH, CTCL-153PDH-WH, TGCL-153PH-LA, SILV-600P-AL, DV-600PR-WH, SCL-153PH-WH, GT-600P, DVCL-153P, RNL06, MSCL-OP153M, IPL06</p> | <p>Compliance</p> <ul style="list-style-type: none"> - JA8 TITLE 24 Compliant |
| <p>Lumen Output</p> <ul style="list-style-type: none"> • 4"/10W: 617lm • 6"/15W: 1,126lm • 8"/18W: 1,356lm | <p>Warranty</p> <ul style="list-style-type: none"> - 5 Year Warranty See warranty documentation for more information. |



ORDERING INFORMATION **EXAMPLE: DDR-0410-40**

Series	Size/Wattage	CCT
DDR	0410 - 4"/10W	30 - 3000K
	0615 - 6"/15W	40 - 4000K
	0818 - 8"/18W	50 - 5000K

DIMENSIONS



LUMEN OUTPUT

SKU	Size (in)	Wattage (W)	(4000K)	
			Delivered Lumens (lm)	Efficacy (lm/W)
DDR-0410-40	4	10	617	61
DDR-0615-40	6	15	1126	75
DDR-0818-40	8	18	1356	75