

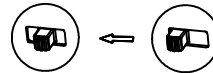
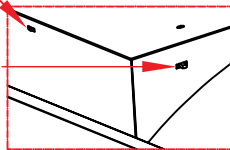
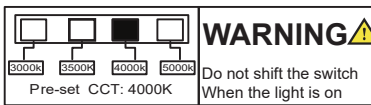
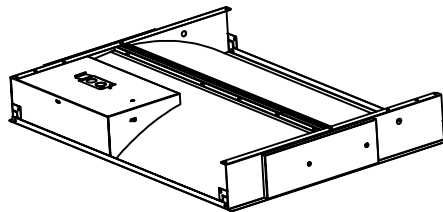
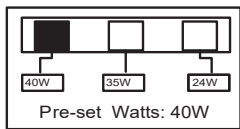
! WARNING

PLEASE READ ALL INSTRUCTIONS BEFORE ATTEMPTING INSTALLATION

- To prevent personal injury or product damage only licensed electricians should install.
- To avoid electric shock or component damage disconnect main power source before attempting installation or servicing.
- This product must be installed in accordance with the national electric code (NEC) and all applicable federal, state and local electric codes and safety standards.
- Disconnect product and allow cooling prior to servicing.
- Any alteration or modification of this product is expressly forbidden as it may cause serious personal injury, death, property damage and/or product malfunction.
- To prevent product malfunction and/or electrical shock this product must be properly grounded.
- Access above required.

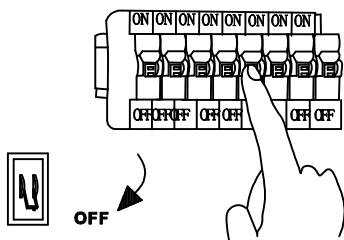
2x2 Installation Instructions

CCT AND WATT CHANGING

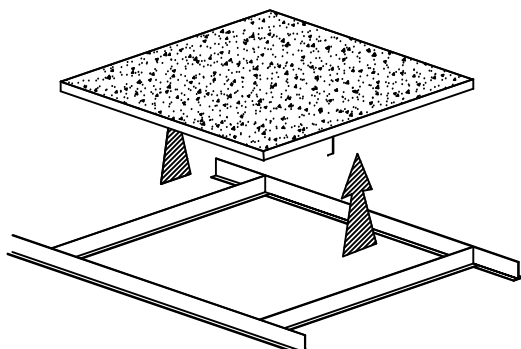


CCT Tunable: 3000K/3500K/4000K/5000K

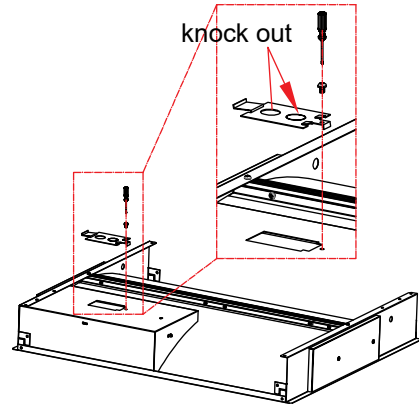
Step 1: Turn Off Power



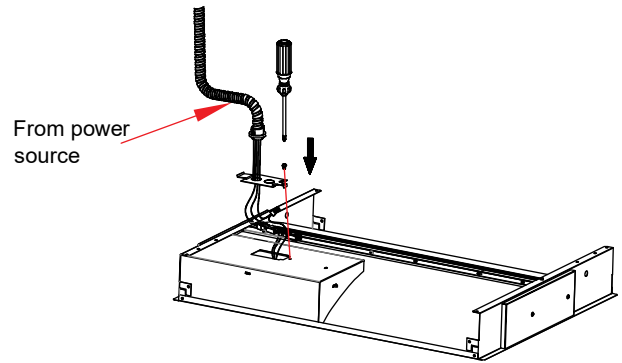
Step 2: Remove the ceiling(s) at an appropriate location where the light fixture is to be installed.



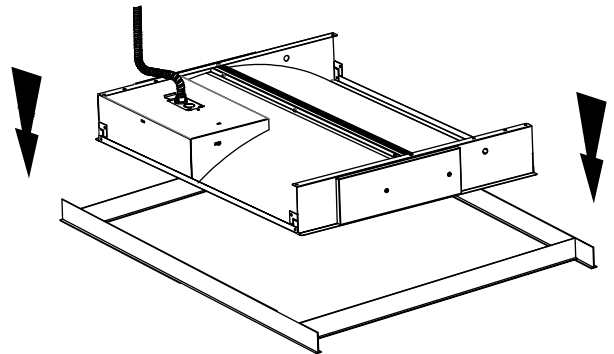
Step 3: Remove screw holding access cover plate and remove the necessary knockout



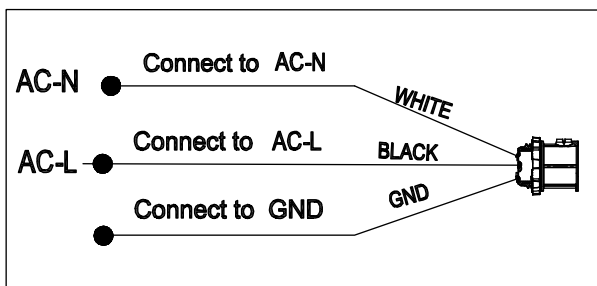
Step 4: Connect cable wires with appropriate relief strain and wire connectors (not provided). Make sure ALL wires are tucked in before reinstalling the cover plate.



Step 5: Bend earthquake clips on the fixture and place on to the T-grid.

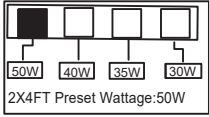


Wiring Diagram

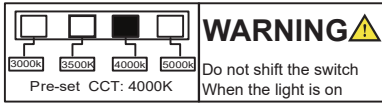


2x4 Installation Instructions

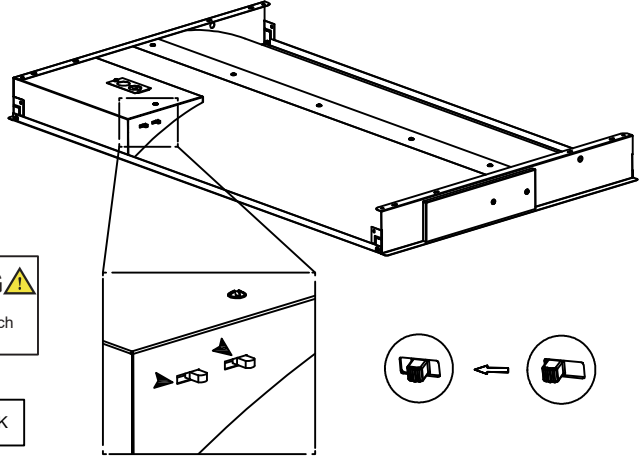
CCT AND WATT CHANGING



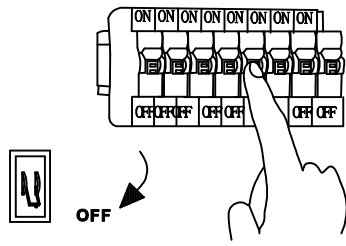
WATT CHANGING: 30W/35W/40W /50W



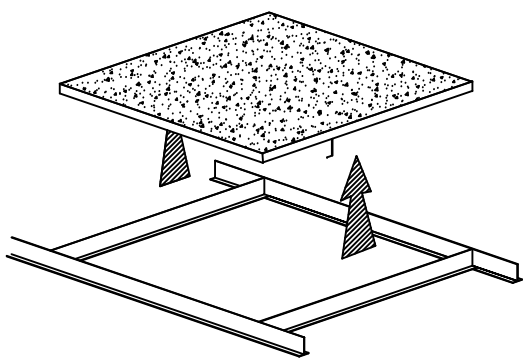
CCT CHANGING: 3000K/3500K/4000K/5000K



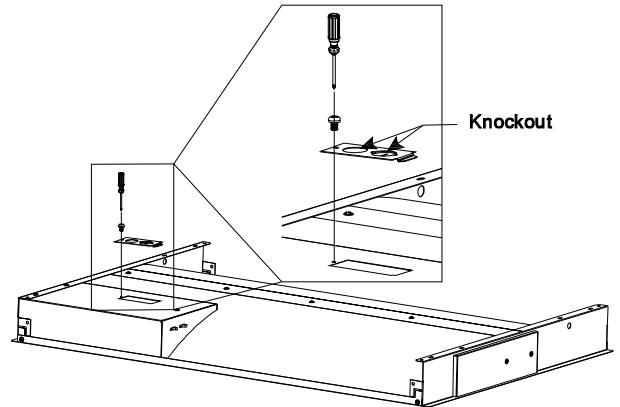
Step 1: Turn Off Power



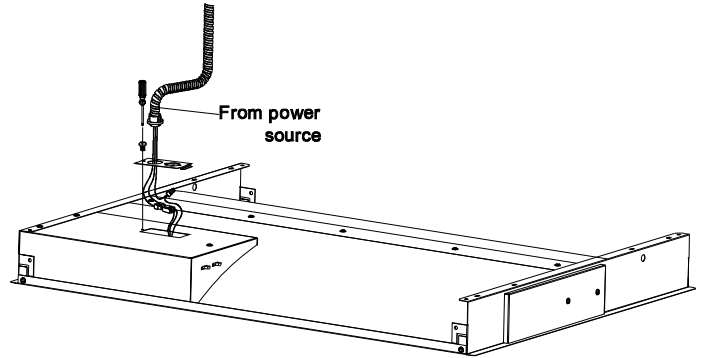
Step 2: Remove the ceiling(s) at an appropriate location where the light fixture is to be installed.



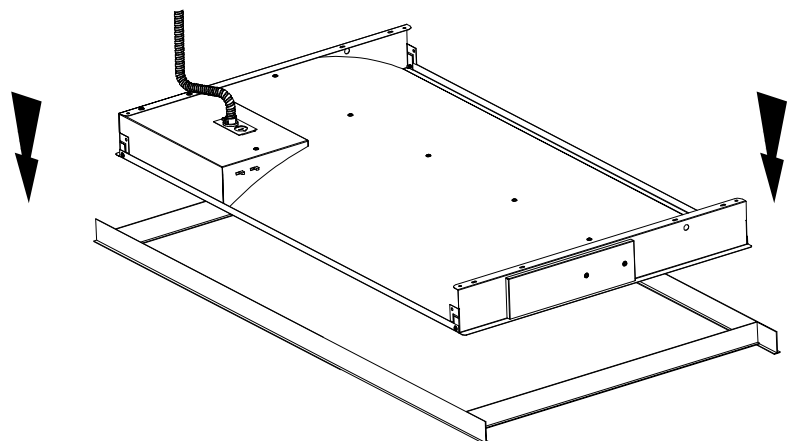
Step 3: Remove screw holding access cover plate and remove the necessary knockout



Step 4: Connect cable wires with appropriate relief strain and wire connectors (not provided). Make sure ALL wires are tucked in before reinstalling the cover plate.



Step 5: Bend earthquake clips on the fixture and place on to the T-grid.



Wiring Diagram

