

Date:	
Project Name:	
SKU #:	

ThinTek™ Mini RW
Downlight



APPLICATIONS

Residential, Commercial, Multi-Family Complex, Bathrooms

FEATURES

Construction

- Injection Molded PC Housing
- Integrated driver.

Finish

- White Trim

Electrical & Technical

- Input Voltage: 120-277VAC
- Input Frequency: 50/60Hz
- Projected L70: > 36,000 hrs
- PF: >0.9
- CRI: >80 or >90 [Option]
- THD: <20%
- CCT Selectable: 3000K/4000K/5000K
- Operating Temp.: -4°F ~ 104°F
- High Voltage Emergency Battery Backup 25W [Option]
- IP Rating: Wet Location Rated (IP44)

Optical

- Glare Reducing PC Lens
- 120° Beam Angle

Installation/Mounting

- Surface Mounted

Controls

- 0-10V Dimming

Compliance

- JA8 TITLE 24 Compliant at 90CRI

Dimmer Compatibility List:

- Leviton: IP710-DLZ
- Lutron: DDTV, NDTV, NTSTV-DV

Lumen Output

- 8"/10W: 1,000lm
- 12"/15W: 1,500lm
- 16"/25W: 2,200lm

Warranty

- 36,000 Hours Warranty
- See warranty documentation for more information.



ORDERING INFORMATION

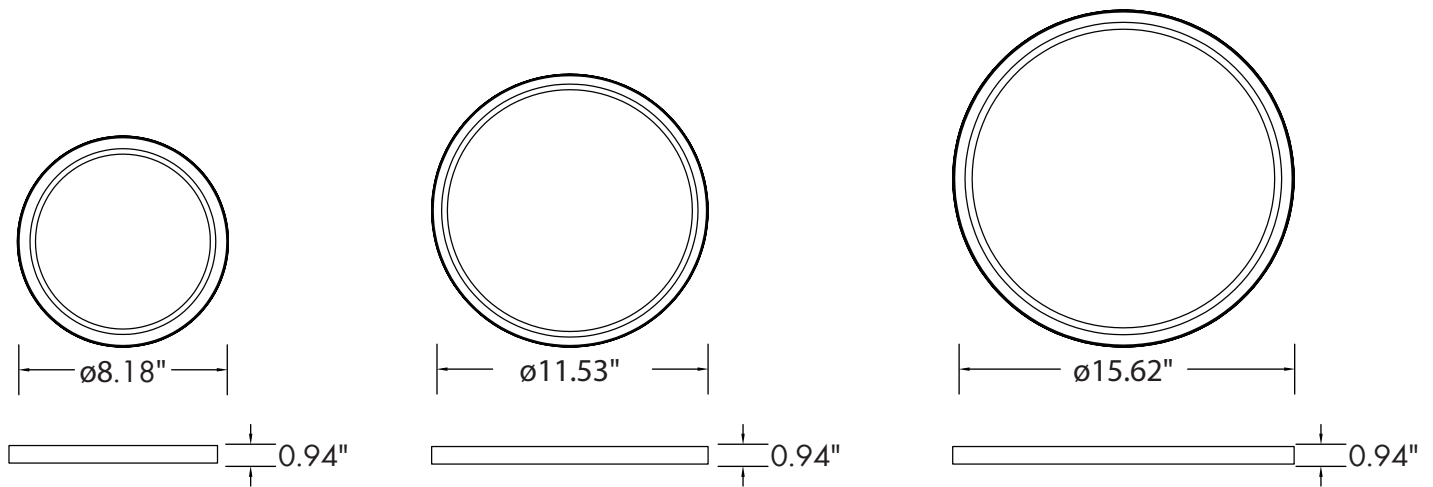
EXAMPLE: 881215-RW-TM-U-CC

Panel	Size/Wattage	Shape/Type	Series	Input Voltage/Control	CCT	CRI
88	0810 - 8"/10W 1215 - 12"/15W 1625 - 16"/25W	RW	TM - ThinTek™ Mini	U - 120~277V/0-10V Dimming	CC - 3000K/4000K/5000K	90CRI [Option]

Accessories

- 90025-H-GEN3 (25W High Voltage Emergency Battery Backup)
- T-BR-EM (T-Bar Bracket for Emergency Battery Backup)

DIMENSIONS



LUMEN OUTPUT

SKU	Size (in)	Wattage (W)	Delivered Lumens (lm)	Efficacy (lm/W)
880810-RW-TM-U-CC	8	10	1000	100
881215-RW-TM-U-CC	12	15	1500	100
881625-RW-TM-U-CC	16	25	2200	100

ACCESSORIES



Flush Mount
(Standard)



High Voltage Emergency
Battery Backup [25W]
(Option)
[90025-H-GEN3]



T-Bar Emergency Battery
Backup Bracket
(Option)
[T-BR-EM]