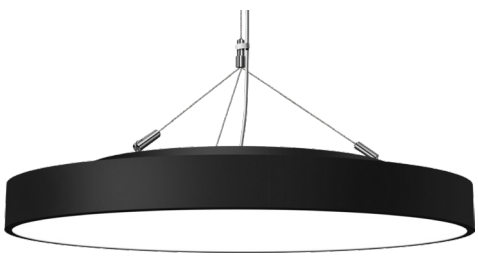


| | |
|---------------|--|
| Date: | |
| Project Name: | |
| SKU #: | |

SOLAR™
Architectural Round



MOUNTING OPTIONS



Cable Mount
[CM10, CM12, CM15]

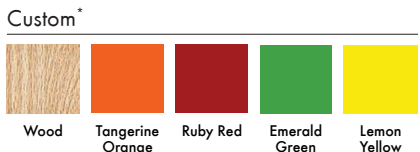
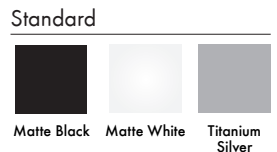


Pendant Mount
[Stem Not Included]
[Stem Sold Separately*]
[Option]
[PM]



Surface Mount
[Option]
[SM]

FINISHES



NOTE: Any Custom Color Available*

APPLICATIONS

Commercial, Retail, Office, Public Spaces

FEATURES

- | | |
|---|--|
| <p>Construction</p> <ul style="list-style-type: none"> - Extruded Aluminum Shallow Housing - Powder Coating Finish - Cable Mount: <ul style="list-style-type: none"> Black or Transparent Power Cord <p>Electrical & Technical</p> <ul style="list-style-type: none"> - Input Voltage: 120-277V [Philips Advanced Xitanium LED Driver Auto Sensing Input] - Input Frequency: 50/60Hz - Projected Life: L70 > 50,000 hrs - PF: >0.9 - CRI: >90 - THD: <20% - CCT: *2700K, 3000K, 3500K, 4000K, *5000K - 3-Step SDCM MacAdam Ellipse - Operating Temp.: -4°F ~ 104°F - IP Rating: IP20 - 15W Emergency Inverter Option (Field Install) - 10W Bodine Inverter Option (Field Install) <p>Controls</p> <ul style="list-style-type: none"> - 0-10V Dimming (Single Circuit: Standard) - 0-10V Dimming (Two Circuit: Option) - 1-10V Dimming (Single Circuit 1% Dimming: Option)* - 1-10V Dimming (Two Circuit 1% Dimming: Option)* - Lutron Vive PowPak [0-10V Dimming][Option][Factory Install] <p>Lumen Output</p> <ul style="list-style-type: none"> • 30W: 3,000lm • 40W: 4,000lm • 60W: 6,000lm • 80W: 8,000lm • 100W: 10,000lm • 120W: 12,000lm | <p>Finish</p> <ul style="list-style-type: none"> - Matte Black - Matte White - Wood - Titanium Silver* - Tangerine Orange* - Ruby Red* - Emerald Green* - Lemon Yellow* - Custom* <p>Optical</p> <ul style="list-style-type: none"> - Prismatic Lens: 0.118" Acrylic - Choice of Direct or Indirect Output: 80% Direct Light & 20% Indirect Uplight <p>Installation/Mounting</p> <ul style="list-style-type: none"> - Cable Mount <ul style="list-style-type: none"> • Available Lengths: 10' [Standard], 12', 15' - Surface Mount Option - Pendant Mount Option [Stem Not Included] [Stem Sold Separately*] <p>Warranty</p> <ul style="list-style-type: none"> - 5 Year Warranty - See warranty documentation for more information. |
|---|--|



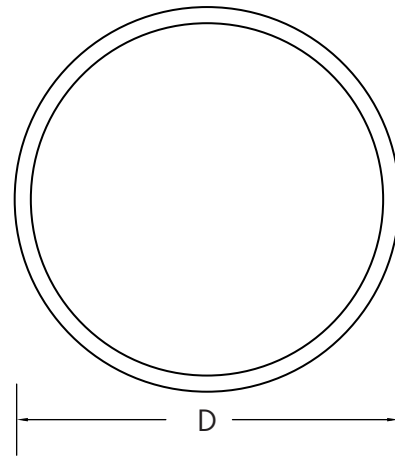
ORDERING INFORMATION **EXAMPLE: SOLA-18-30W-30K-U-D1-B-CM010-D**

| Series | Size | Wattage | CCT | Input Voltage | Control | Finish | Mounting Option | Uplight Option |
|--------|----------|--------------|---|---------------|---|---|--|---|
| SOLA | 18 - 18" | 30W 40W | 27K - 2700K* | U - 120-277V | D1 - 0 -10V Dimming Single Circuit (Standard) D2 - 0 -10V Dimming Two Circuit D3 - 1 -10V Dimming Single Circuit (1% Dimming) D4 - 1 -10V Dimming Two Circuit (1% Dimming) | STANDARD B - Matte Black W - Matte White S - Titanium Silver CUSTOM* T - Wood O - Tangerine Orange R - Ruby Red G - Emerald Green Y - Lemon Yellow C - Custom | CM10 - 10' Cable Mount CM12 - 12' Cable Mount CM15 - 15' Cable Mount SM - Surface Mount PM - Pendant Mount | D - Direct Illumination U - Uplight Illumination (20% of System Lumens) |
| | 24 - 24" | 40W 60W | 30K - 3000K 35K - 3500K 40K - 4000K 50K - 5000K* | | | | | |
| | 30 - 30" | 60W 80W | | | | | | |
| | 36 - 36" | 80W 100W | | | | | | |
| | 48 - 48" | 100W 120W | | | | | | |
| | | | | | | | Accessories | |
| | | | | | | | ELIS10CDF (Bodine Inverter 10W) TGS-15W-INT (Emergency Inverter 15W) FCJS0 (Lutron Vive Powpak) | |

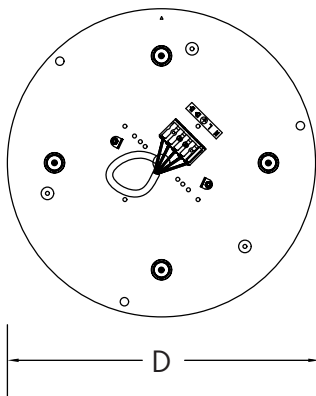
DIMENSIONS



| Size | Height (H) | Diameter (D) | Weight |
|---------|------------|--------------|--------|
| SOLA-18 | 3.39" | ø17.1" | 10 lb. |
| SOLA-24 | 3.39" | ø23.0" | 12 lb. |
| SOLA-30 | 3.39" | ø29.0" | 26 lb. |
| SOLA-36 | 3.39" | ø34.3" | 28 lb. |
| SOLA-48 | 3.39" | ø45.3" | 44 lb. |

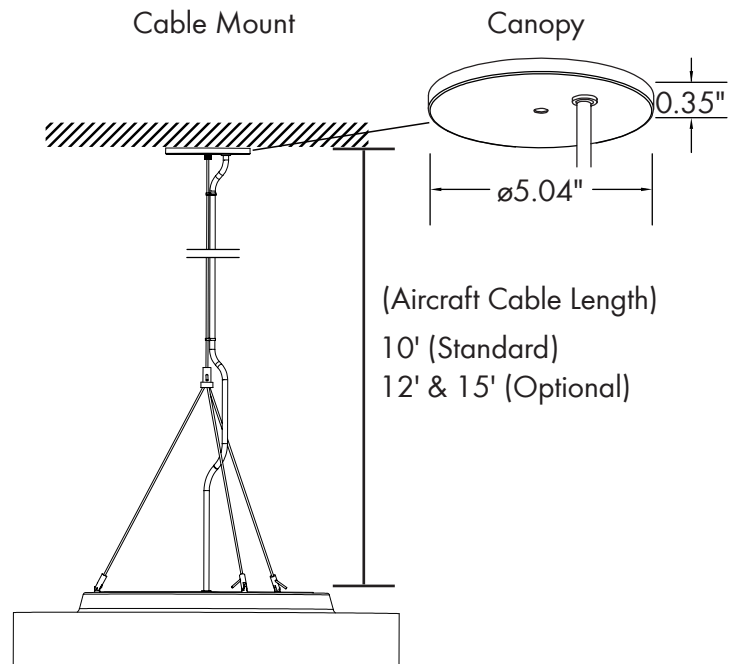


Surface Mount Plate



| Size | Height | Diameter (D) |
|---------|--------|--------------|
| SOLA-18 | 0.05" | ø10.83" |
| SOLA-24 | 0.05" | ø14.17" |
| SOLA-30 | 0.05" | ø14.17" |
| SOLA-36 | 0.05" | ø14.17" |
| SOLA-48 | 0.05" | ø14.17" |

Cable Mount



LUMEN OUTPUT

| SKU | Wattage (W) | Delivered Lumens (lm) | Efficacy (lm/W) |
|-----------------------|-------------|-----------------------|-----------------|
| SOLA-18-30W-40K-U-D1 | 30 | 3000 | 100 |
| SOLA-18-30W-40K-U-D1 | 40 | 4000 | 100 |
| SOLA-24-40W-40K-U-D1 | 40 | 4000 | 100 |
| SOLA-24-60W-40K-U-D1 | 60 | 6000 | 100 |
| SOLA-30-60W-40K-U-D1 | 60 | 6000 | 100 |
| SOLA-30-80W-40K-U-D1 | 80 | 8000 | 100 |
| SOLA-36-80W-40K-U-D1 | 80 | 8000 | 100 |
| SOLA-36-100W-40K-U-D1 | 100 | 10000 | 100 |
| SOLA-48-100W-40K-U-D1 | 100 | 10000 | 100 |
| SOLA-48-120W-40K-U-D1 | 120 | 12000 | 100 |

ACCESSORIES



Bodine Inverter 10W
(Option)
(Installed Remotely)
(Works up to 100W)
[ELIS10CDF]



Emergency Inverter 15W
(Option)
[TGS-15W-INT]



Lutron Vive
PowPak
[Factory Install]
(Option)
[FCJS0]