

Date:	
Project Name:	
SKU #:	

CONTOUR™ Troffer
Wattage & CCT Selectable Architectural Troffer



APPLICATIONS

Commercial, Retail, Institution, and Hospitality

FEATURES

- | | |
|---|---|
| <p>Construction</p> <ul style="list-style-type: none"> - Extruded Aluminum Housing - Backlit | <p>Finish</p> <ul style="list-style-type: none"> - Powder Coated White |
| <p>Electrical & Technical</p> <ul style="list-style-type: none"> - Input Voltage: 110-277V
110-347V* [Option] - Input Frequency: 50/60Hz - Projected L70 > 50,000 hrs - PF: >0.9 - CRI: >80 - THD: <20% - CCT Selectable: 3500K/4000K/5000K - Field Adjustable Lumen Output - Operating Temp.: -4°F ~ 104°F - Class 2 Driver (1-10V Dimming) - Damp Location Rated - Emergency Battery Backup [Option] [Factory Installed] - 15W Emergency Inverter [Option] - 10W Bodine Inverter [Option] - City of Chicago Environmental Air (CCEA) Rated [Option] | <p>Optical</p> <ul style="list-style-type: none"> - 120° Beam Angle |
| <p>Controls</p> <ul style="list-style-type: none"> - 0-10V Dimming (Dims to 10%) - Lutron Vive PowPak [Option][Factory Install] | <p>Installation/Mounting</p> <ul style="list-style-type: none"> - Recessed Mount [Standard] |

Dimmer Compatibility List:

Leviton: IP-710-DL
Lutron: Diva-Dvtv

Warranty

- 5 Year Warranty
See warranty documentation for more information.

Lumen Output

- 1'x4': 25W (2,750lm)/30W (3,300lm)/35W (3,850lm)
- 2'x2': 25W (2,750lm)/30W (3,300lm)/35W (3,850lm)
- 2'x4': 30W (3,300lm)/40W (4,400lm)/50W (5,500lm)



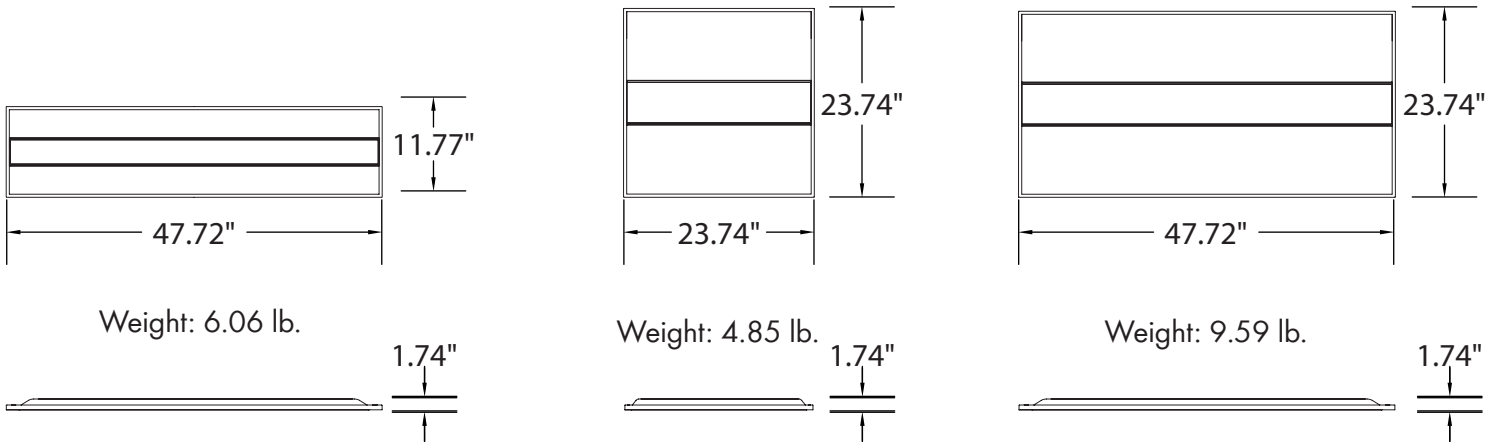
ORDERING INFORMATION **EXAMPLE: CT-22WS-C-U**

Series	Size	Wattage	CCT	Input Voltage	Chicago Plenum
CT	14 - 1'x4' 22 - 2'x2'	WS - 25W/30W/35W	C - 3500K/4000K/5000K	U - 110-277V H - 110-347V*	CP - Chicago Plenum CCEA Rated [Option]
	24 - 2'x4'	WS - 30W/40W/50W			

Accessories

- 90008-H-GEN3 (8W Emergency Battery Backup)
- ELIS10CDF (Bodine 10W Inverter)
- TGS-15W-INT (EM Inverter 15W)
- T-BR-EM (T-Bar Bracket for EM Backup)
- FCJS0 (Lutron Vive PowPak)

Note:
• Chicago Plenum CCEA Rated Option must be pre-determined wattage and CCT when ordering.

DIMENSIONS

LUMEN OUTPUT

SKU	Size (LxW)	Wattage (W)	Delivered Lumens (lm)	Efficacy (lm/W)	Delivered Lumens (lm)	Efficacy (lm/W)	Delivered Lumens (lm)	Efficacy (lm/W)
CT-14WS-C-U	1'x4'	25/30/35	2750 (25W)	110	3300 (30W)	110	3850 (35W)	110
CT-22WS-C-U	2'x2'	25/30/35	2750 (25W)	110	3300 (30W)	110	3850 (35W)	110
CT-24WS-C-U	2'x4'	30/40/50	3300 (30W)	110	4400 (40W)	110	5500 (40W)	110

ACCESSORIES


Recessed
Mounted
Integral Clips
[T-bar]
(Standard)



High Voltage
Emergency Battery
Backup (8W)
[Factory Installed]
(Option)
[90008-H-GEN3]



Bodine Inverter
10W
(Option)
[ELIS10CDF]



Emergency
Inverter 1.5W
(Option)
[TGS-1.5W-INT]



T-Bar Emergency
Battery Bracket
(Option)
[T-BREM]



Lutron Vive
PowPak
[Factory Install]
(Option)
[FCJS0]