

WARNING

PLEASE READ ALL INSTRUCTIONS BEFORE ATTEMPTING INSTALLATION

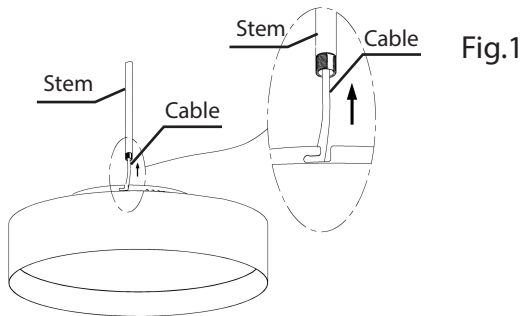
- To prevent injury or product damage only licensed electricians should install.
- To avoid electric shock or component damage disconnect power before attempting installation or servicing.
- This product must be installed in accordance with the National Electric Code (NEC) and all applicable federal, state and local electric codes and safety standards.
- Any alteration or modification of this product is expressly forbidden as it may cause serious personal injury, death, property damage and/or product malfunction.
- To prevent product malfunction and/or electrical shock this product must be properly grounded.
- This luminaire is designed to operate in ambient temperatures ranging from -20°C to 40°C.
- This product must be installed in accordance with the applicable installation code by a person familiar with the construction and operation of the product and the hazards involved.
- Ensure all terminal connections are secure and not loose.
- Please read this installation instruction guide thoroughly before installations. Save for future reference

Installation

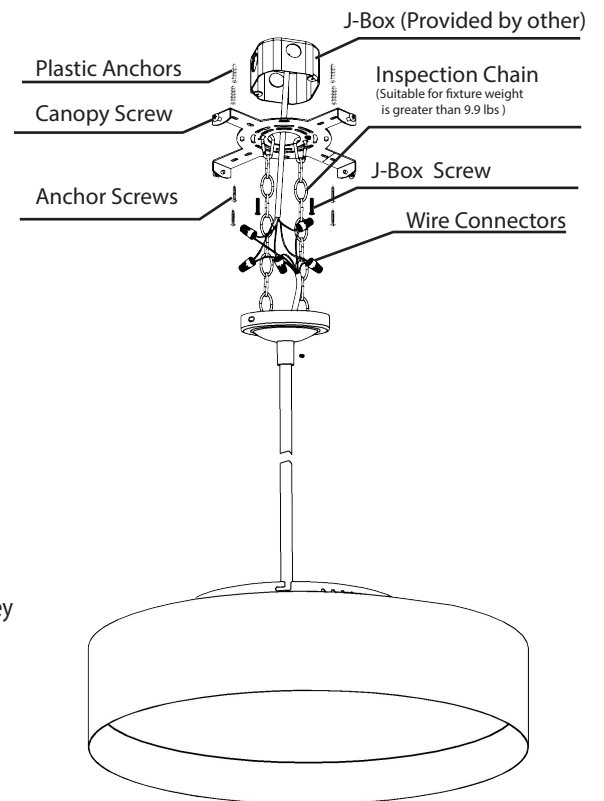
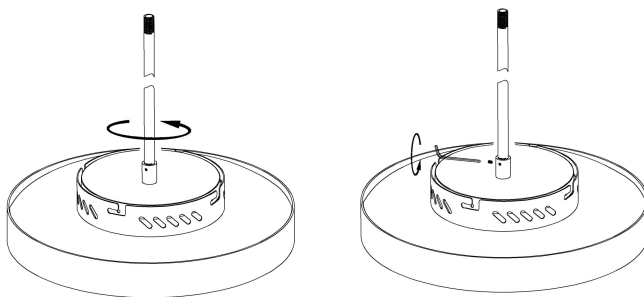
Pendant Mount

Step 1. Shut "OFF" the power from the circuit breaker or main fuse box. Set the wall switch to the 'OFF' position for the room that the fixture is intended to control.

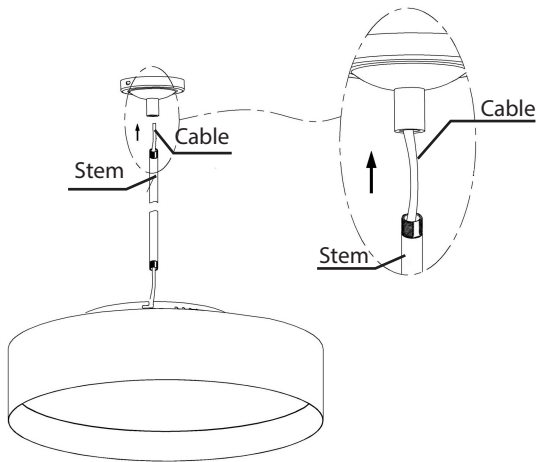
Step 2. Insert all five wires through the stem. See Fig. 1



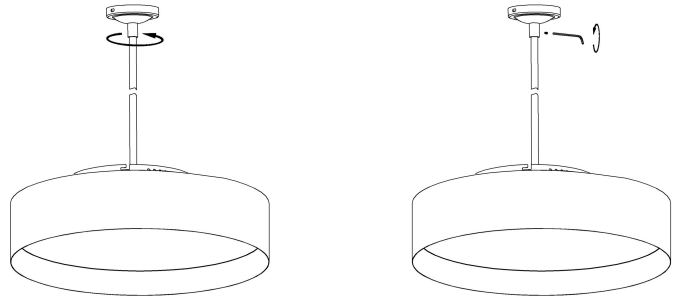
Step 3. Rotate stem to secure it with the bottom bracket until it is tightly secure, use a hex key to lock the socket screw stem in place. See Fig. 2



Step 4. Thread all five wires through the mounting canopy,

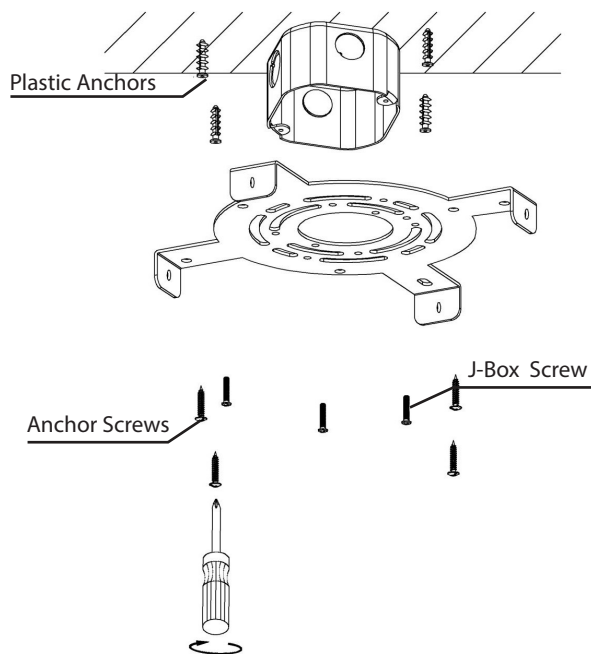


Step 5. Rotate stem to secure it with the mounting canopy until it is tightly secure, use a hex key to lock the socket screw stem in place

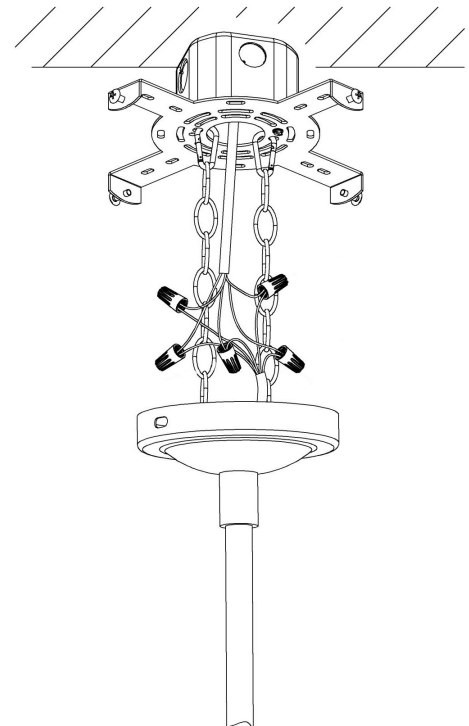


Step 6. Drill four 8mm diameter holes in the ceiling, positioned to match the mounting bracket's hole pattern. Insert the plastic anchors into the holes. Use two J-Box screws to secure the mounting bracket to the J-Box. See Reference diagram below.

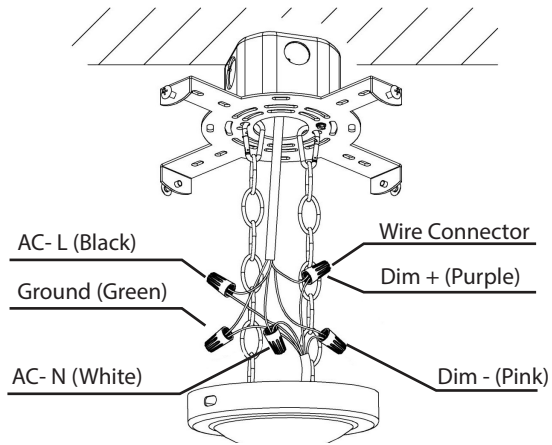
Note: J-Box used by Garin 54171-S or equivalent [provided by others]



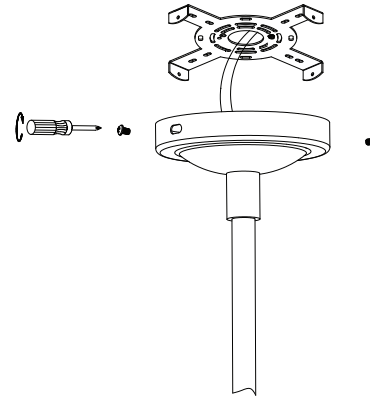
Step 7. Use four Self-Tapping Anchor Screws to secure the mounting bracket to the ceiling.



Step 8. Use wire connectors to connect L,N,G, DIM+, DIM- wires. After completing the wiring push all wires with connector into J-Box.



Step 9. Align the canopy side holes with the mounting bracket screw holes, and place the lamp body upward. Ensure the screws are securely seated in the screw holes.



Step 10. After completing the installation, turn on the power at circuit breaker or main fuse box, and check that the fixture is in working order.

