



**Downlight Retrofit Round CCT Selectable** **Downlight Retrofit**

**DESCRIPTION**

The Downlight Retrofit Round CCT Selectable is a retrofit downlight that will replace most existing recessed can lights. The conversion is as easy as installing a light bulb. The unique feature of the Downlight Retrofit Round CCT Selectable is the ability to be field adjustable up to 5 CCT to accommodate any environments, which is ideal for residential and commercial projects, such as multi-family residences, retail shops, and offices.

**APPLICATIONS**

Hospitality, Airports, Schools, Offices, Government Facilities, Auto Dealerships

**FEATURES**



**Downlight Retrofit Round CCT Selectable**

4", 10W (750 lm)  
6", 14W (1,100 lm)

Projected L70: 50,000+ hours  
Warranty: 5 Years  
Phase/ TRIAC Dimming

**Construction**

Spun aluminum housing and PC lens.

**Electrical**

Input Voltage: 120VAC

**Optical System**

Glare controlling lens for comfortable light distribution.  
Provides a 110° beam angle.

**Installation/ Mounting**

Friction Clip Mount (4" Retrofit Downlight)  
Torsion Clip Mount (6" Retrofit Downlight)  
4" and 6" Remodel Housing available. See details on page. 3  
4" and 6" New Construction Housing available. See details on page. 3

**Warranty**

5 Year Warranty.  
See warranty documentation for more information.

**Controls/Dimming**

TRIAC Dimming  
Field-Adjustable CCT Switchable Between:  
2700K, 3000K, 3500K 4000K, 5000K.



TITLE 24 Compliant



90+ CRI



Wet Location Rated



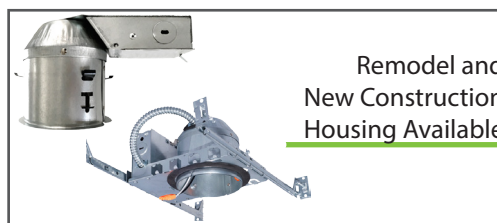
5 CCT Selectable



Phase/TRIAC Dimming



Field Adjustable 5 CCT Selectable Switch



Remodel and New Construction Housing Available

**Ordering Information**

**EXAMPLE: DRRC-0410-CC**

Series	Size/Wattage	CCT	
DRRC	0410 - 4"/10W 0614 - 6"/14W	CC - CCT Selectable (2700K/3000K/3500K/4000K/5000K)	
		New Construction Housing	Remodel Housing
		TGS-408-SH (4" New Construction Housing) TGS-608-SH (6" New Construction Housing)	TGS-408-SH-RM (4" Remodel Housing) TGS-608-SH-RM (6" Remodel Housing)

Specifications and Dimensions subject to change without notice.

\*MOQ and longer lead times may apply, please contact customer service for more information.

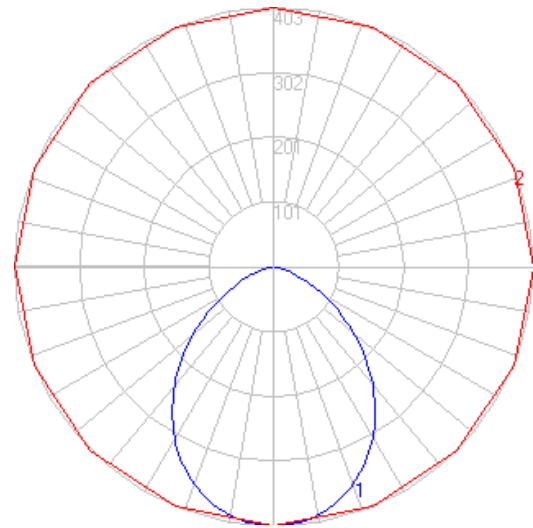
## Performance Information

Input Voltage	120VAC
Input Frequency	60Hz
Wattage	See Performance Table
Delivered Lumens	See Performance Table
System Efficacy	See Performance Table
CRI	>90
Available CCT	2700K, 3000K, 3500K, 4000K, 5000K
Projected L70	50,000+ hours
Power Factor	>0.9
THD	<20%
Dimming	TRIAC Dimming
Operating Temp.	-4°~104°F
IP Rating	Wet Location Rated

## Photometric Data

4", 10W, 3000K

\*IES Available Upon Request



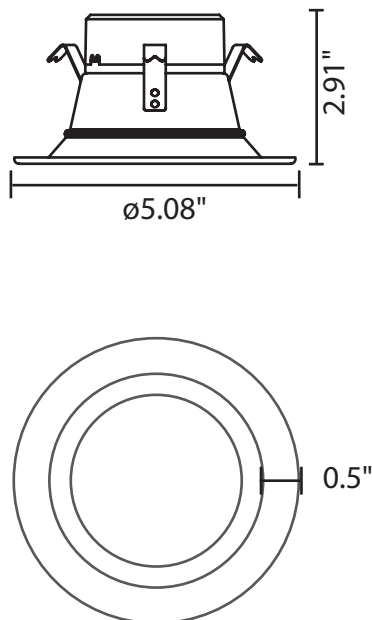
## Performance Table

SKU	Wattage (W)	3000K	
		Delivered Lumens (lm)	System Efficacy (lm/W)
DRRC-0410-CC	10	750	75
DRRC-0614-CC	14	1100	78

## Product Dimensions

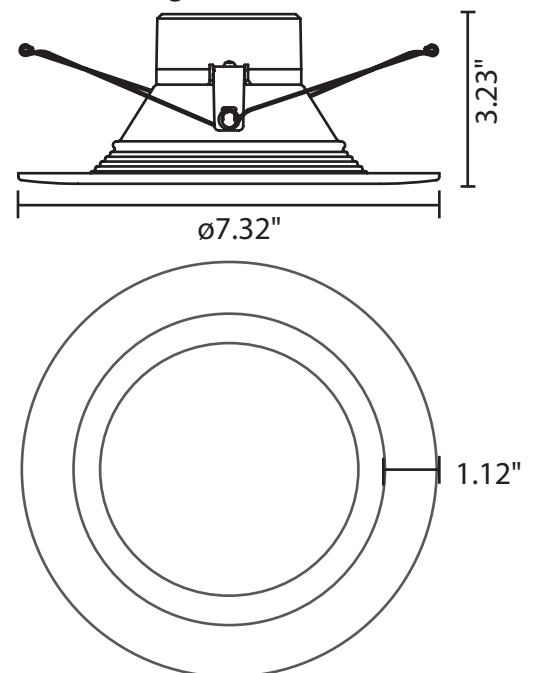
4"

Weight: 0.42 lbs

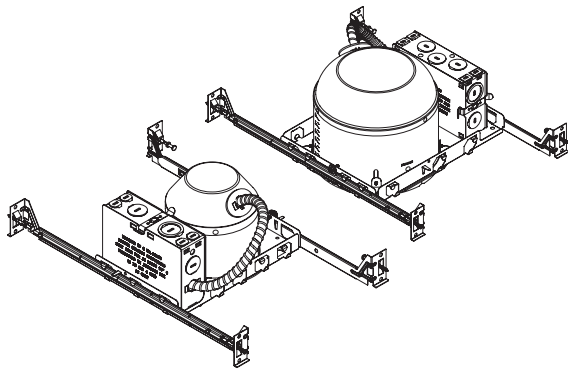


6"

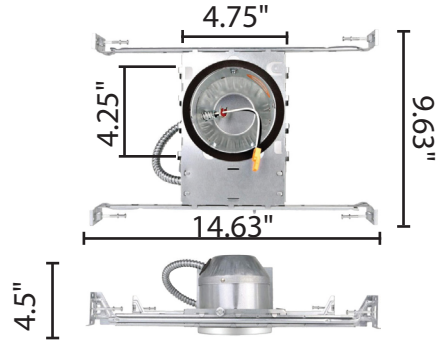
Weight: 0.51 lbs



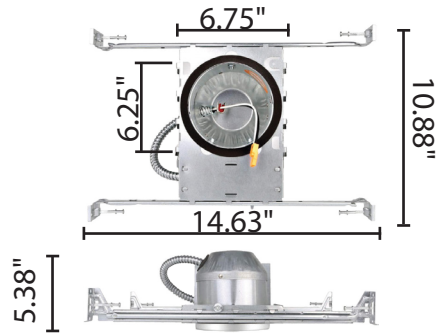
Accessories



**4", 6"  
New Construction Housing  
[IC RATED]  
(Option)  
[TGS-408-SH, TGS-608-SH]**

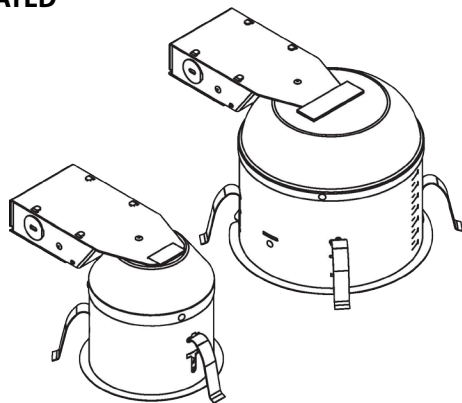


**TGS-408-SH**

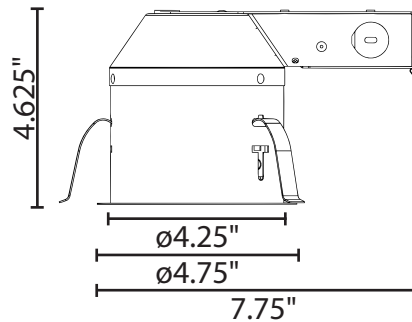


**TGS-608-SH**

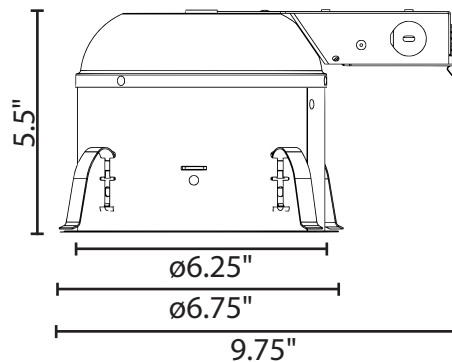
IC RATED



**4", 6"  
Remodel Housing  
[IC RATED]  
(Option)  
[TGS-408-SH-RM, TGS-608-SH-RM]**



**TGS-408-SH-RM**



**TGS-608-SH-RM**

Dimmer Compatibility List

Recommended dimmers

Lutron	Leviton	EATON
DVCL-153PR-WH CTCL-153PDH-WH TGCL-153PH-WH P-PKG1W-WH-R	R62-06674-P0W R12-06672-4LW R50-IPL06-10M	SAL06P-LA-K