

Date:	
Project Name:	
SKU #:	

**Veil LCL™**  
Linear Cove Lighting



**APPLICATIONS**

Commercial and Industrial

**FEATURES**

**Construction**

- Extruded Aluminum Body
- Flexible adjustment: allowing aiming within +/-90°

**Finish**

- Powder coating protects against: corrosion, scratches, and UV damage.

**Electrical & Technical**

- Input Voltage: 120-277V
- Input Frequency: 50/60Hz
- Projected Life: L70 > 100,000 hrs
- PF: >0.9
- CRI: >90
- THD: <20%
- Adjustable Lumen Output
- CCT Selectable: 3000K/3500K/4000K
- Operating Temp.: -13°F ~ 122°F

**Optical**

- PC Lens: 110°
- Louver Lens:
  - 20°
  - 35°
  - 50°
  - 80°
  - 25°x70°
  - 40°x70°
  - Asymmetrical [25°/30°x60°]

**Controls**

- 0-10V Dimming

**Installation/Mounting**

- Surface Mount
- Run Length Limits: See Page 4

**Lumen Output**

- 1': PC LENS 110°
  - 5W: 600lm
  - 7.5W: 900lm
  - 10W: 1,200lm
- 4': PC LENS 110°
  - 20W: 2,400lm
  - 30W: 3,600lm
  - 40W: 4,800lm

**Warranty**

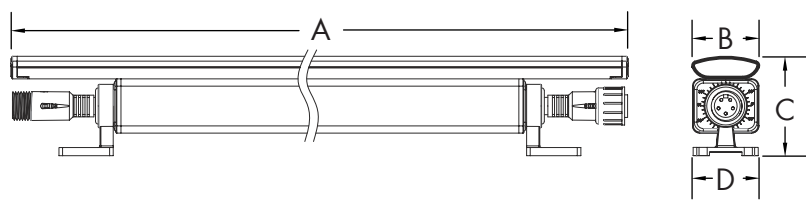
- 5 Year Warranty
- See warranty documentation for more information.



**ORDERING INFORMATION** **EXAMPLE: VEIL-LCL-4-40-C-50-U-D-SM**

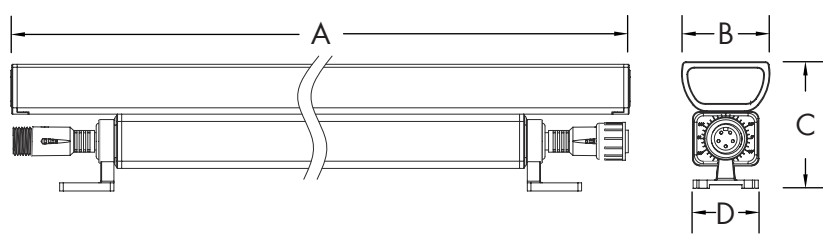
Series	Length	Wattage	CCT	Distribution	Input Voltage	Dimming	Mounting Option
VEIL-LCL	1 - 1'	10 - 5W/7.5W/10W	C - 3000K/3500K/4000K	20 - 20° 35 - 35° 50 - 50° 80 - 80° 110 - 110° PC Lens 2570 - 25°x70° 4070 - 40°x70° ASYM - Asymmetric	U - 120-277V	D - 0-10V Dimming	SM - Surface Mount
	4 - 4'	40 - 20W/30W/40W					
				Extension Cable	Splicing Positioning Trunking		
				VEIL-LCL-EXT1 (1' 18AWG Extension Cable) VEIL-LCL-EXT3 (3' 18AWG Extension Cable) VEIL-LCL-EXT12 (12' 18AWG Extension Cable)	VEIL-LCL-SPT1 (Splicing Positioning Trunking, Aluminum (2.4M/Roll)) VEIL-LCL-SPT2 (Splicing Positioning Trunking, PC (25M/Roll))		

**DIMENSIONS**



PC LENS (110°)

Size	A	B	C	D
1'	12"	1.48"	2.17"	1.42"
4'	48"	1.48"	2.17"	1.42"



Louvers LENS (20°, 35°, 50°, 80°, 25°x70°, 40°x70°, Asymmetrical [25°/30°x60°])

Size	A	B	C	D
1'	11.34"	1.93"	2.76"	1.42"
4'	44.41"	1.93"	2.76"	1.42"

**LUMEN OUTPUT**

PC LENS (110°)

SKU	Length (ft)	Wattage (W)	Delivered Lumens (lm)	Efficacy (lm/W)	Delivered Lumens (lm)	Efficacy (lm/W)	Delivered Lumens (lm)	Efficacy (lm/W)
VEIL-LCL-1-10-C-110-U-D-SM	1	5/7.5/10	600 (5W)	120	900 (7.5W)	120	1200 (10W)	120
VEIL-LCL-4-40-C-110-U-D-SM	4	20/30/40	2400 (20W)	120	3600 (30W)	120	4800 (40W)	120

Optic LENS

SKU	Length (ft)	Wattage (W)	Delivered Lumens (lm)	Efficacy (lm/W)	Delivered Lumens (lm)	Efficacy (lm/W)	Delivered Lumens (lm)	Efficacy (lm/W)
VEIL-LCL-1-10-C-XX-U-D-SM	1	5/7.5/10	550 (5W)	110	825 (7.5W)	110	1100 (10W)	110
VEIL-LCL-4-40-C-XX-U-D-SM	4	20/30/40	2200 (20W)	110	3300 (30W)	110	4400 (40W)	110

**ACCESSORIES**



1', 3', 12'  
Extension Cable  
[VEIL-LCL-EXT1]  
[VEIL-LCL-EXT3]  
[VEIL-LCL-EXT12]



Splicing Positioning  
Trunking  
(Aluminum 2.4M/Roll)  
[VEIL-LCL-SPT1]



Splicing Positioning  
Trunking  
(PC 25M/Roll)  
[VEIL-LCL-SPT2]



Power Harness Box  
[Included]

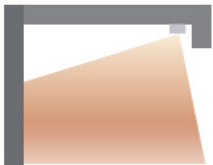
APPLICATION



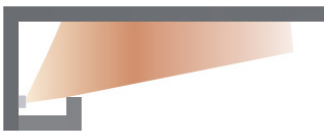
Cove: Architectural ledge or recess on the upper part of a wall.  
Beam Angle: 80°, 40°x70°, 50°



Graze: Light that is close to and parallel to a surface and creates strong contrast.  
Beam Angle: 25°x70°, 40°x70°, 20°

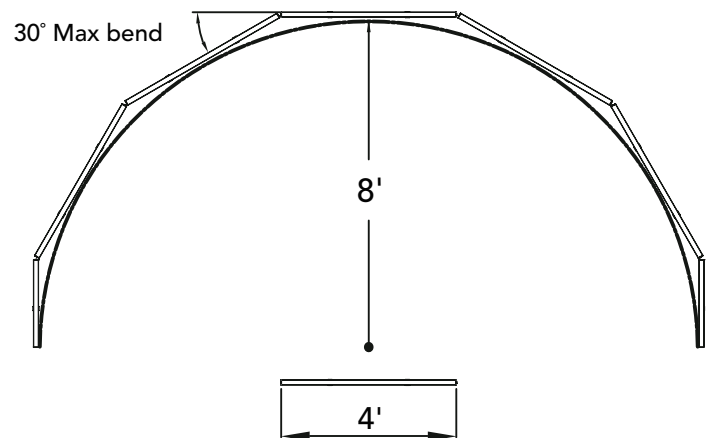
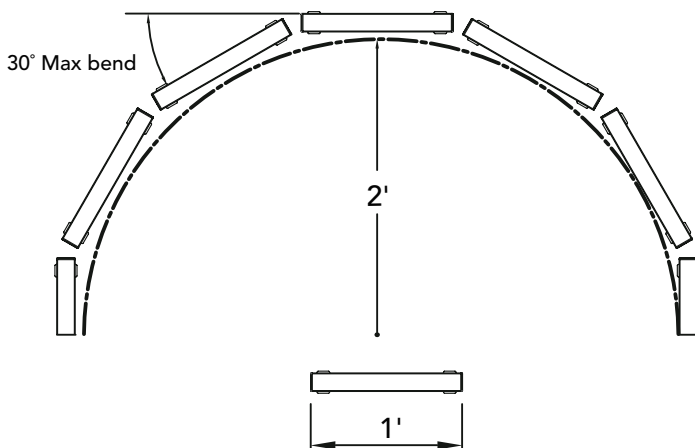


Wash: Light striking a surface from a distance that reduces or eliminates contrast.  
Beam Angle: 110°, 80°, 50°



Asymmetric: Light that uniformly illuminates a ceiling or wall without dark shadows in the cove.  
Beam Angle: Asymmetric

RADIUS BEND



**RUN LENGTH LIMITS**

Run Length Limits (ft)	1 FT			4FT		
Fixture Input Wattage	5W	7.5W	10W	20W	30W	40W
Maximum Run Length (ft) @120V	144'	96'	72'	144'	96'	72'
Maximum Run Length (ft) @277V	330'	220'	165'	332'	220'	165'

- Notes:**
1. When 1ft and 4ft are used on a line, all lamps must use the same power level, such as high-end, mid-range, and low-end, otherwise the brightness will be inconsistent.
  2. When using high power, Run must be limited to 72ft when using both 1ft and 4ft fixture is a single run at 120V.  
Run must be limited to 165ft when using both 1ft and 4ft fixture in a single run at 277V.
  3. When using a medium power range, Run must be limited to 96ft when using both 1ft and 4ft fixtures in a single run at 120V.  
Run must be limited to 220ft when using both 1ft and 4 ft fixtures in a single run at 277V.
  4. When using low power range, Run must be limited 144 ft when using both 1ft and 4ft fixtures in a single run at 120V.  
Run must be limited to 330ft when using both 1ft and 4ft fixture in a single run at 277V.
  5. Run length is limited based on common 30mA dimmer limit, Run length could be extended to 200ft for dimmers with 50mA current rating.
  6. **When to Use Grounding:** Grounding is required when installing fixtures in high-power or long-run setups to ensure safety. The ground wire should be connected to the bracket, and every three fixtures in a continuous run should be grounded to prevent electrical hazards.