



Self  
Diagnostic

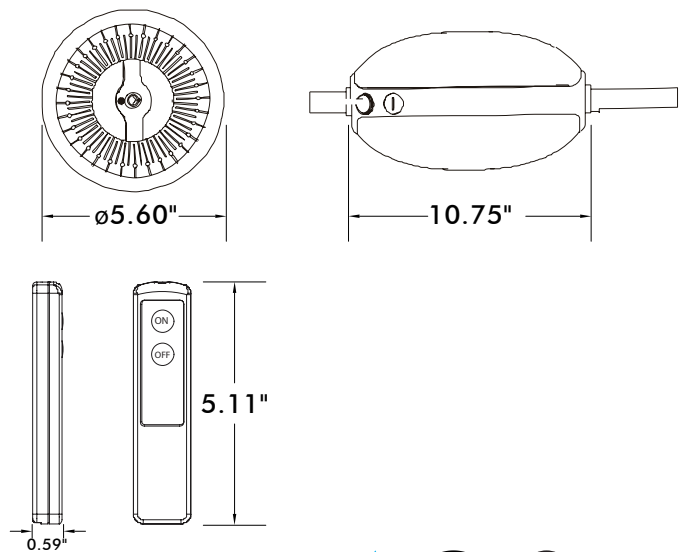


[Sold Separately]

## FEATURES

- Input Voltage: 100-347VAC, 50/60Hz
- Output Voltage: DC170V
- IP65
- 90 Minute Emergency Operating Time
- Lithium-ion Battery
- Integrated junction box
- Multiple Protection:
  - Short-Circuit
  - Over-Voltage
  - Over-Load
  - Open-Circuit
- Remote Control Testing [Sold Separately]
- Self-Diagnostic: Test for 30 minutes monthly and for 90 minutes annually
- RoHS compliant
- 5 Year Warranty

## DIMENSIONS



## SPECIFICATION

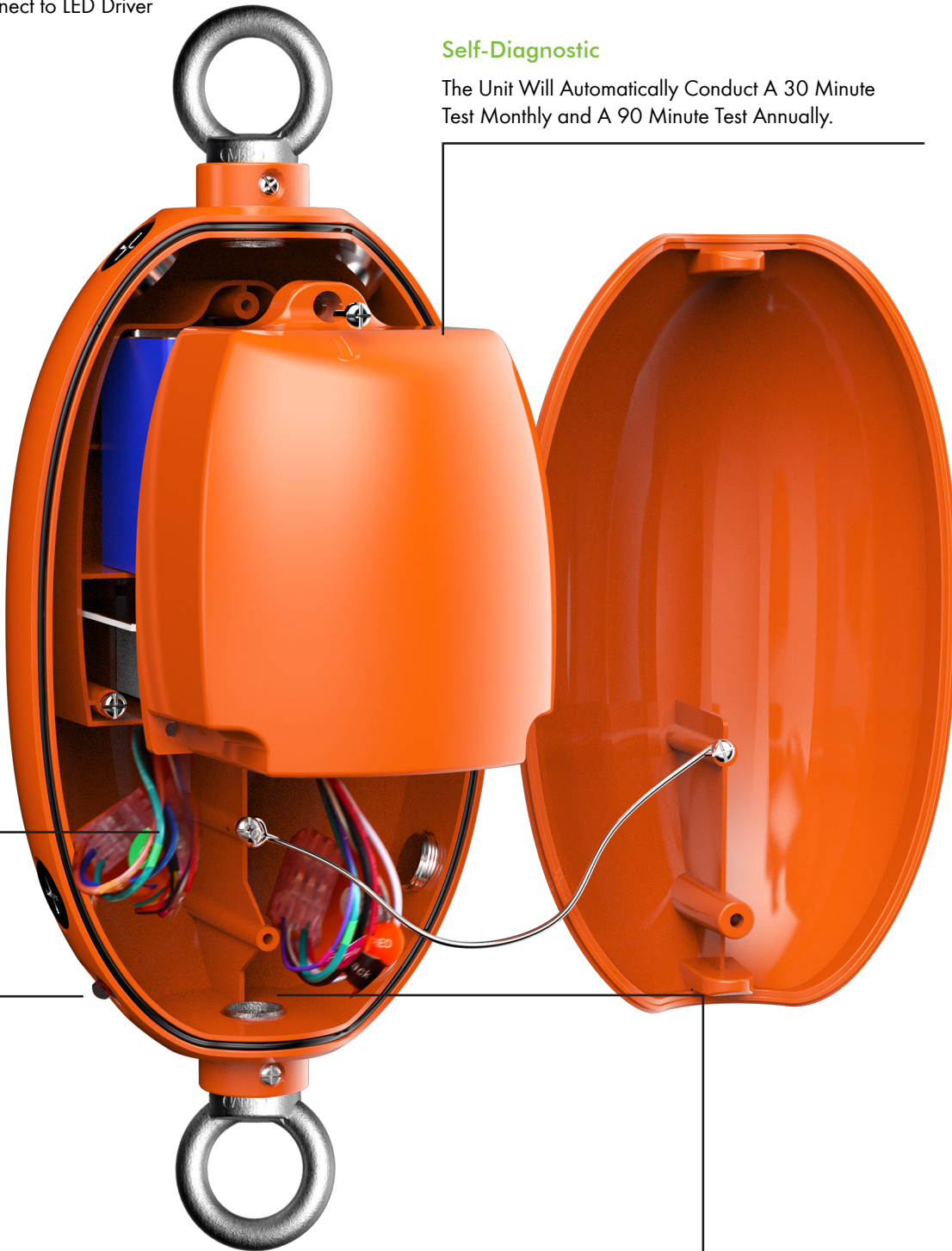
Model No.	TGS-60W-HB-INT
Input Voltage	100-347VAC, 50/60Hz
Output Voltage	170VDC
Input Current	$\leq 200\text{mA}$
Input Power	15W
Output Power	60W
Emergency Runtime	90 Minutes
Charge Time	$\geq 24\text{Hours}$
Application	$\leq 300\text{W}$ (0-10V Dimmable Fixture)
Ambient Temperature	$5^{\circ}\text{F} \sim 122^{\circ}\text{F}$
Weight	7.28 lb.

**Easy Wiring**

Emergency Output Connect to LED Driver  
AC Input Directly

**Self-Diagnostic**

The Unit Will Automatically Conduct A 30 Minute  
Test Monthly and A 90 Minute Test Annually.



**Remote Controller [Sold Separately]**

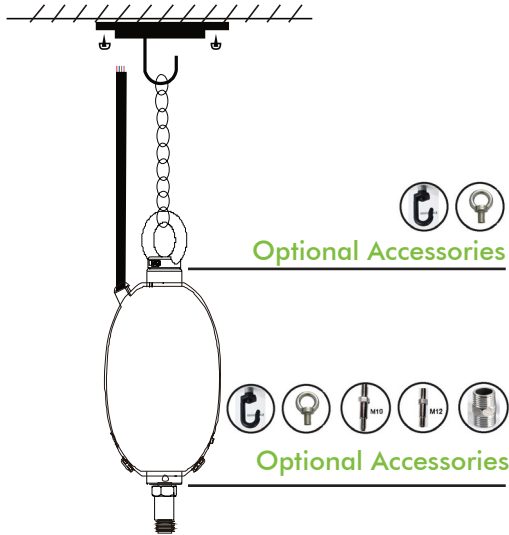
Wireless Remote Control For Emergency Testing

**Integrated Junction Box**

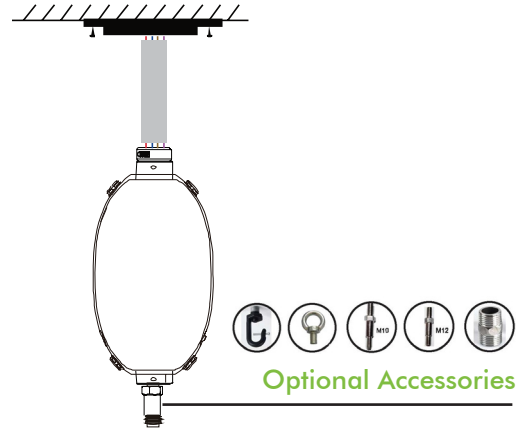
All-In-One Design, No Need For External Junction Box

TYPICAL INSTALLATION

Chain or Cable Mount



1/2" Conduit Mount



INDICATOR

Non - Remote Version

Indicator Status	Emergency Working Status
Red	Charging Mode
Red OFF	Discharging Mode

Note: AC power on, click the test switch, switch to emergency mode and lasts 3 seconds, then automatically back to the working mode of AC power supply.

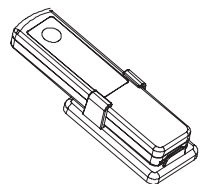
Remote Version



Press the ON button to test emergency function. This light will switch to its emergency lighting mode and the indicator light will turn off.



Press the OFF button, the light will revert to normal lighting mode. When main power supply is OFF [Emergency Mode], press the OFF button to turn off emergency function.



[Sold Separately]

Indicator Status	Emergency Working Status
Red	Charging Mode
Red OFF	Discharging Mode

Note: Point the remote controller at about 45° at the indicator light on the EM to send receive/command. Remote needs two AAA batteries to operate [Not Included].

WIRING DIAGRAM

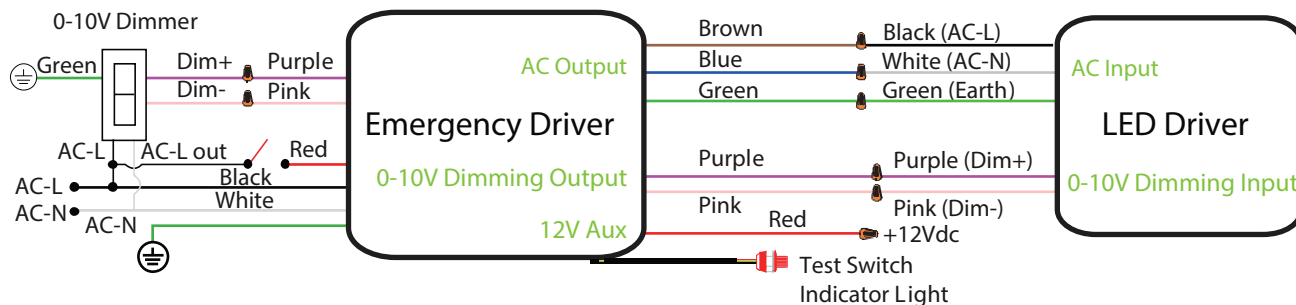
**IMPORTANT:**

0-10V dimming wires of the emergency battery backup must be connected to the dimming wires of the LED round high bay driver, for the emergency battery backup to function properly.

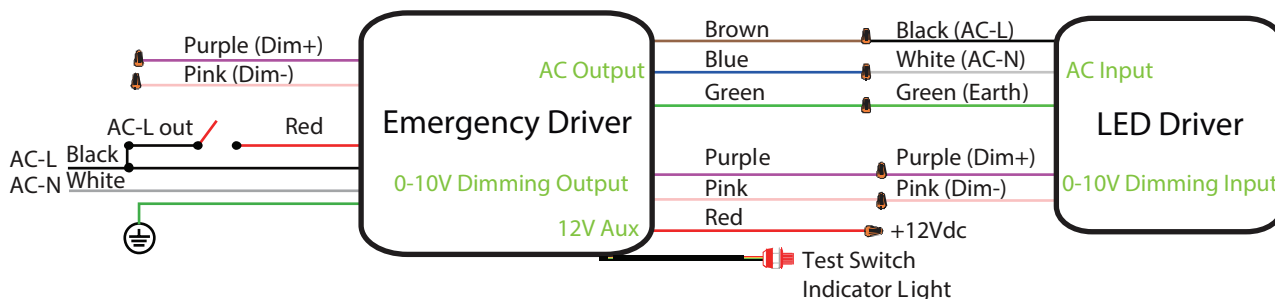
**RECOMMENDATION:**

Emergency Output Power  $\geq 20\%$

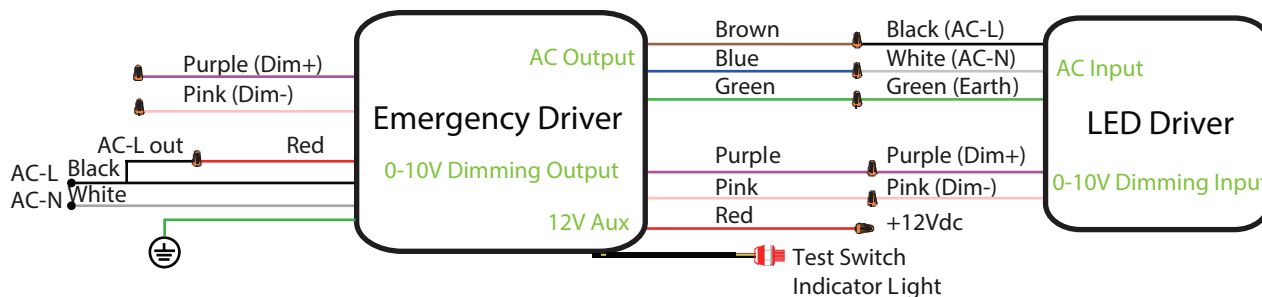
0-10V Dimmer



Wall Switch



24 Hours Lighting



WIRING DIAGRAM (Cont.)

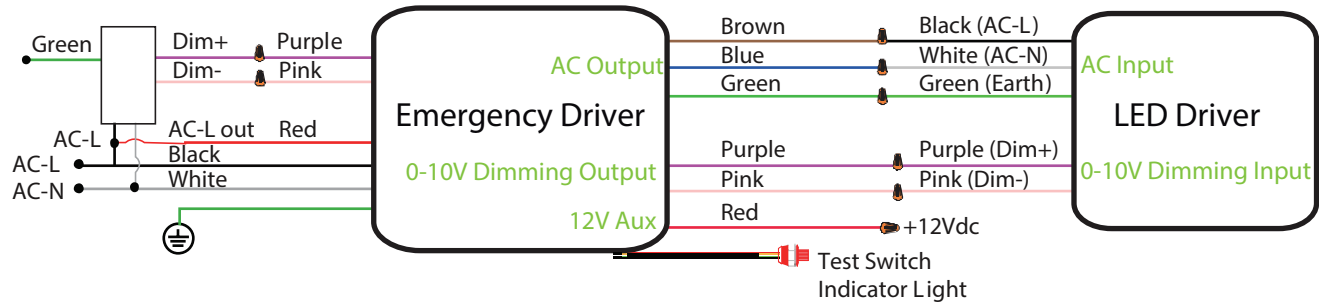
**IMPORTANT:**

0-10V dimming wires of the emergency battery backup must be connected to the dimming wires of the LED round high bay driver, for the emergency battery backup to function properly.

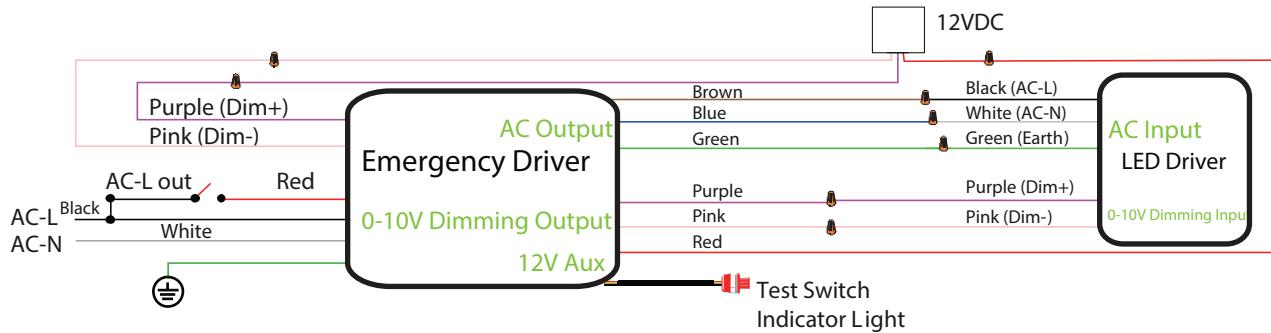
**RECOMMEDATION:**

Emergency Output Power  $\geq 20\%$

With Sensor [100-277/347VAC]



With 12VDC Sensor [Current is Less than 30mA]



**INSTALLATION GUIDELINE (Cont.)**

**Step One:**

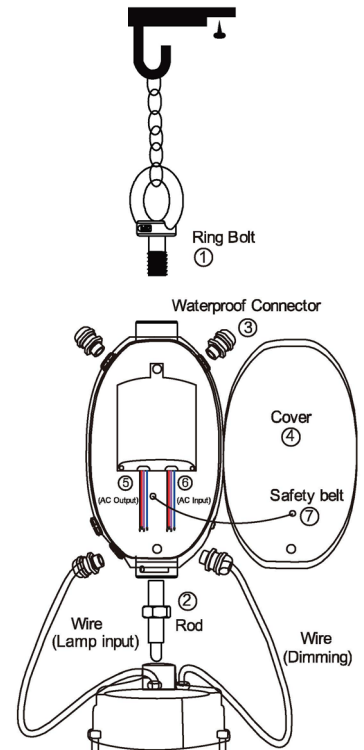
- Disconnect AC power from fixture.
- Disconnect all power source to the lighting fixture and ensure they are locked out during installation or maintenance.
- The AC driver must be sourced from the emergency battery backup.
- Select a suitable location for the emergency battery backup and install such that its output leads can connect to input of the AC driver.

**Step Two:**

- Select a suitable location on the ceiling for hangable device.
- Install the hook to the emergency battery backup and fix it with screw.
- Install the ring bolt to the emergency battery backup and fix it with screw.
- Install the M10 Rod/M12 Rod to the bottom of emergency battery backup and fix it with screw.
- Install the Rod to the bottom thread hole of the emergency inverter and fix it with a screw.
- Install the emergency battery backup to the lighting fixture with screw.
  - Open the emergency battery backup cover and remove the plastic covers and install the waterproof connectors.
- Pull all wires through the waterproof connectors into the cavity of the emergency battery backup. Connect the wiring with orange wiring caps and make sure all connections are in accordance with manufactures installation instructions.
- Secure the junction box cover by screwing it in place.
- Hang the emergency battery backup to hangable device on the ceiling.
- See instruction manual for typical installation and select appropriate mounting method.

**Step Three:**

- After installation is complete, apply AC power.
- At this point power should be connected to the AC driver and the emergency battery backup, and the charging indicator light should illuminate indicating the battery is charging.
- A short-term discharge test may be conducted after the emergency battery backup has been charging for 1 hour. Charge for 24 hours before conducting a long-term discharge test.



## IMPORTANT SAFE GUARDS

When using electrical equipment and this lighting device basic safety precaution should be followed at all times including but not limited to the following:

---

### PLEASE READ AND FOLLOW ALL INSTRUCTIONS FOR YOUR OWN SAFETY

---

**WARNING:** AC power must be off before proceeding with assembly or installation of emergency battery backup.

**IMPORTANT:** An un-switched AC power source of 100Vac to 347Vac is required. This device is designed for use in fixture listed dry, damp, and wet locations.

**CAUTION:** Make sure all electrical connections conform to the National Electrical Code (NEC) and all applicable local regulations.

**CAUTION:** Do not let power supply cords touch hot surfaces.

**CAUTION:** Do not mount near gas or electric heaters.

**CAUTION:** Use with grounded, UL Listed, dry or damp or wet location rated fixtures.

**CAUTION:** The equipment is intended for ordinary location and for permanent installation into one or more listed emergency luminaires.

**CAUTION:** Customers are advised to charge the emergency battery backup power supply at least every six months to prevent battery overdischarge.

**CAUTION:** The TGS-30W-HB-INT suggest to use for LED lamp less than 200W (When dimming to minimum, the power needs to be less than 25W). For TGS-40W-HB-INT suggested to use for LED lamp less than 300W (When dimming to minimum, the power needs to be less than 35W.)

**CAUTION:** Battery is rechargeable Li-ion type and must be recycled or disposed of properly. Do not use this emergency driver with accessory equipment other than recommended by manufacturer; failure to follow this may cause an unsafe condition. Servicing should only be performed by qualified service personnel. Do not use this emergency driver for other than intended use. Not suitable for high-risk task area lighting. Equipment should be mounted in locations and at heights where it will not readily be subjected to tampering by unauthorized personnel.

**IMPORTANT:** Indicator (LED light) illuminated indicates battery in charge mode when AC power is applied.

It is recommended and required by applicable code to test emergency battery backup to ensure proper function of the system; push the test switch every thirty (30) days to ensure the emergency driver is functioning by illuminating the light source. Conduct a ninety (90) minutes discharge test one (1) time per year; LED light source should be illuminated for a minimum of ninety (90) minutes .

**TESTING SYSTEM:** The emergency battery requires a charge minimum of one (1) hour before testing the circuit. A full charge requires twenty four hours (24 hours).

## SAVE THESE INSTRUCTIONS