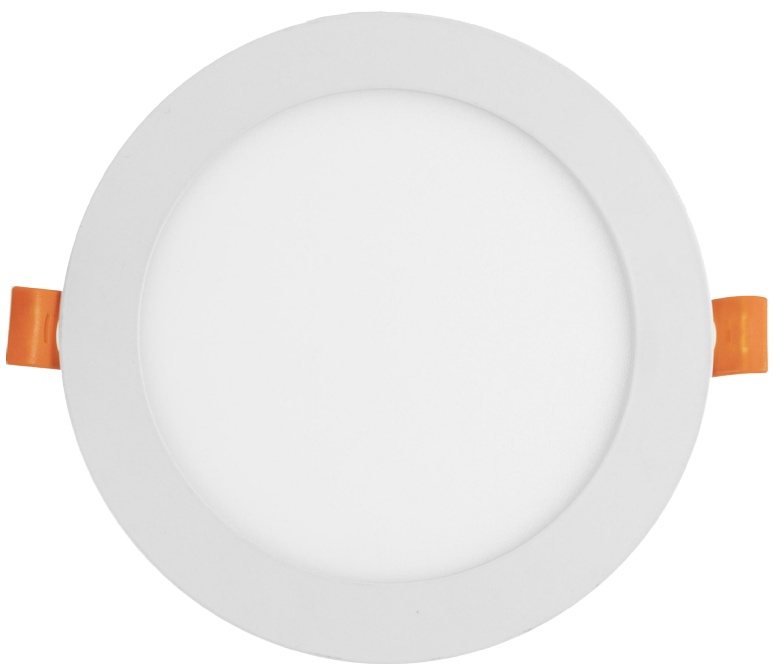


Date:	
Project Name:	
SKU #:	

ThinTek™ Wafer R
Recessed Downlight



APPLICATIONS

Residential, Commercial, Multi-Family Complex

FEATURES

Construction

- Spun Aluminum Housing
- IC Rated, Air-tight

Electrical & Technical

- Input Voltage: 120VAC
- Input Frequency: 60Hz
- Projected Life: L70 > 50,000 hrs
- PF: >0.9
- CRI: >90
- THD: <20%
- CCT Selectable: 2700K/3000K/3500K/4000K/5000K
- Operating Temp.: -4°F ~ 104°F
- Wet Location Rated

Finish

- White [Standard]
- Nickel*
- Black*
- Bronze*

Optical

- 110° Beam Angle

Installation/Mounting

- Recessed Mount [Standard]: Spring Loaded Retention Tabs
- New Construction Kit (3", 4", 6", 8")
- New Construction W/ Hanger Bar (3", 4", 6", 8")

Controls

- Triac Dimming

Dimmer Compatibility List:

Leviton: 6674, 6633-P, 6683, 6672, IPL06, VP106, DB33K1, 1F4205, 1A2305
Lutron: NT-1000, S-603P, S-600P, CTCL-153P, DVW-603PGH-WH, 4X603, DVCL-163P-WH, CTCL-153PDH-WH, SLV-600P-WH, DV-600P, CT-603PGH,WH, MIR-600THW-WH, CACL-153M-WH

Lumen Output

- 3"/6W: 420lm
- 4"/12W: 780lm
- 6"/15W: 1,100lm
- 8"/20W: 1,600lm
- 12"/24W: 1,950lm

Warranty

- 5 Year Warranty
See warranty documentation for more information.

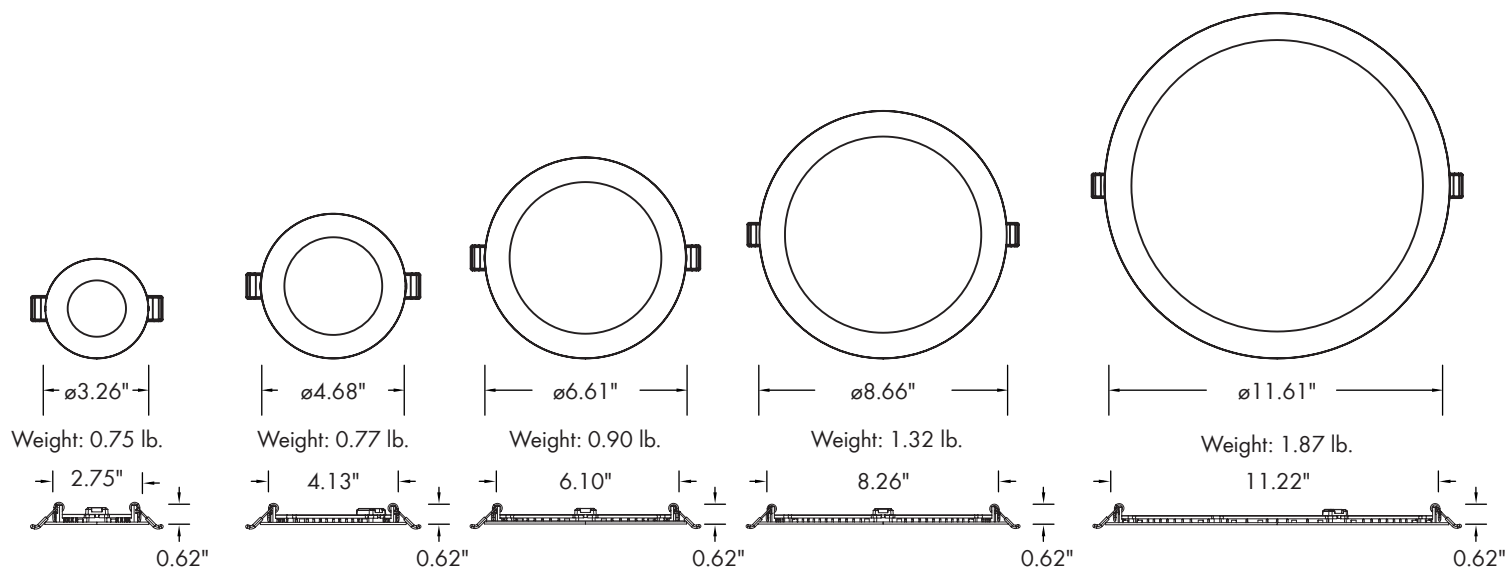


ORDERING INFORMATION **EXAMPLE: TWRP-0412-C-S-WH**

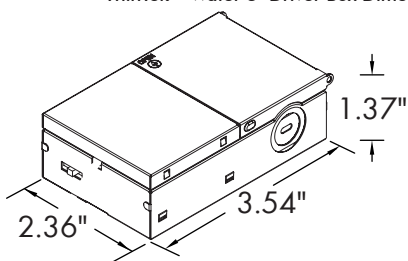
TWRF				
Series	Size/Wattage	CCT	Input Voltage/Control	Trim Finish Option
TWRF	0306 - 3"/6W 0412 - 4"/12W 0615 - 6"/15W 0820 - 8"/20W 1224 - 12"/24W	C - 2700K/3000K/3500K/4000K/5000K	S - 120V/Triac Dimming	WH - White NI - Nickel* BK - Black* BR - Dark Bronze*

Kit Options	Accessories
TWR-NC (New Construction Kit :3", 4", 6", 8") TWR-NC-H (New Construction Kit W/ Hanger Bar: 3", 4", 6", 8)	TW-ECA (10" Extension Cable) TW-EC-B (20" Extension Cable)

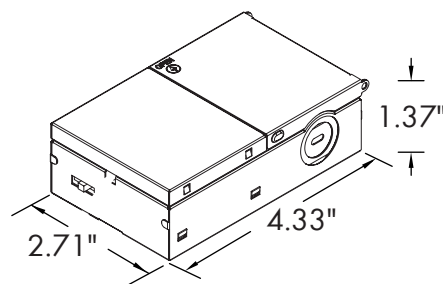
DIMENSIONS



ThinTek™ Wafer 3" Driver Box Dimension:



ThinTek™ Wafer 4", 6", 8", 12" Driver Box Dimension:



LUMEN OUTPUT

SKU	Size (in)	Wattage (W)	Delivered Lumens (lm)	Efficacy (lm/W)
TWRF-0306-C-S	3	6	420	70
TWRF-0412-C-S	4	12	780	65
TWRF-0615-C-S	6	15	1100	73
TWRF-0820-C-S	8	20	1600	80
TWRF-1224-C-S	12	24	1950	81

ACCESSORIES



Spring Loaded Retention Tabs
Recessed Mounted
(Standard)



New Construction Kit
(3", 4", 6", 8")
(Option)
[TWR-NC]



New Construction Kit
W/ Hanger Bar
(3", 4", 6", 8")
(Option)
[TWR-NC-H]



10" or 20"
Extension Cable
(Option)
[TW-EC-A]
[TW-EC-B]