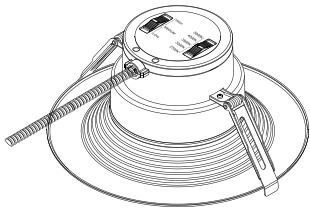


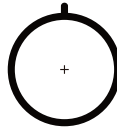
WARNING

PLEASE READ ALL INSTRUCTIONS BEFORE ATTEMPTING INSTALLATION

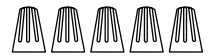
- To prevent personal injury or product damage only licensed electricians should install.
- To avoid electric shock or component damage disconnect power before attempting installation or servicing.
- This product must be installed in accordance with the national electric code (NEC) and all applicable federal, state and local electric codes and safety standards.
- Disconnect product and allow cooling prior to servicing.
- Any alteration or modification of this product is expressly forbidden as it may cause serious personal injury, death, property damage and/or product malfunction.
- To prevent product malfunction and/or electrical shock this product must be properly grounded.
- This product must be installed in accordance with the applicable installation code by a Person familiar with the construction and operation of the product and the hazards involved.
- Type IC Rated, Suitable for contact with insulation.
- Do not install any luminaire near a heat source.
- Suitable for Wet Locations.
- Do not exceed the nominal supply voltage or amperage ratings.



A



B



C

Packaging Contents

PART	Description	QUANTITY
A	6 Inch or 8 inch or 10 inch Fluxlume	1
B	Hole Cutout Card	1
C	Wire Nuts	5

Dimmer Compatibility List

This unit is suitable for use in dimming circuits. For 100% to 10% light control, use with an LED compatible dimmer:

LEGRAND	RH4FBL3PQ
LUTRON	RMJS-T-DV-B, Diva DVSTV, MS-Z101-WH, DVSTV-WH

Installation

MAKE SURE THE TO TURN OFF THE POWER AT THE BREAKER OR FUSE BOX

Step 1: Turn off the power before beginning installation.

A. Remove the existing fixture if applicable.

B. Determine the location and necessary hole cutout diameter using the the supplied table and cut ceiling hole with the listed approximate diameter, see Fig1.

Step 2: Select the desire CCT and Wattage by simply switching the switches, see Fig2.

Step 3: Attache the carabiner safety clip to the existing fixture housing, see Fig3.

Step 4: Connect AC and dimming supply cables inside the hardwire junction box (not included) by using 5 wire nuts in the following manner: black to black white to whitem pink to pink, or grey, purple to purple , and green-earth to ground wire.

Step 5: Push the downlight spring loaded clips upward and insert the base into the mounting hole. Release the clips and the fixture will grip flush with the ceiling/drywall.

Step 6: Turn on the power to confirm the fixture is working properly.

HOLE SIZE

6inch:	6 19/64" (160mm)
8inch:	8 5/64" (205mm)
10inch:	8 31/32" (228mm)

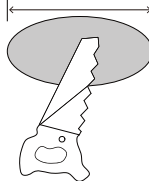
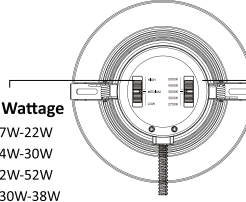


Fig1



Selectable Wattage

6inch:	12W-17W-22W
8inch:	17W-24W-30W
	32W-42W-52W
10inch:	22W-30W-38W

Selectable CCT

- 2700K
- 3000K
- 3500K
- 4000K
- 5000K

Fig2

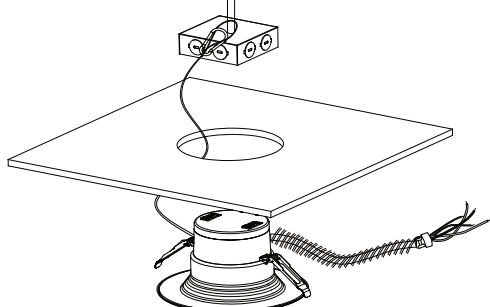
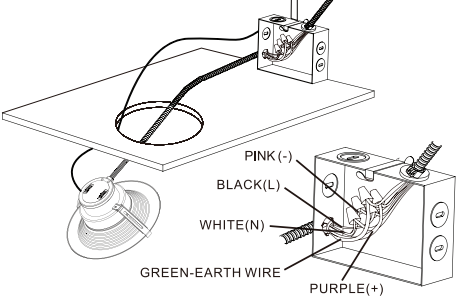


Fig3



PINK (-)
BLACK (L)
WHITE (N)
GREEN-EARTH WIRE
PURPLE (+)

Fig4

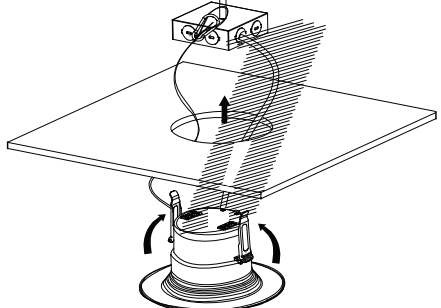


Fig5

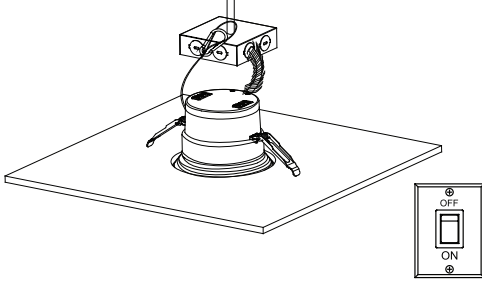


Fig6