

Date:	
Project Name:	
SKU #:	

Double Ring Square Fixture
Flush Mounted Ceiling Light



APPLICATIONS

Residential, Commercial, Multi-Family Complex

FEATURES

Construction

- Die-formed Cold-Rolled Steel
- Powder Coated Paint

Finish

- Brushed Nickel
- Black*
- Oil Rubbed Bronze*

Electrical & Technical

- Input Voltage: 120V
- Input Frequency: 60Hz
- Projected Life: L70 > 50,000 hrs
- PF: >0.95
- CRI: >80 or >90 [Option]
- THD: <20%
- CCT Selectable: 3000K/4000K/5000K
- Operating Temp.: -4°F ~ 104°F
- Damp Location Rated

Optical

- High Transmission Acrylic Lens

Installation/Mounting

- Flush Mount:
 - 4" Square J-Box
 - 4" Octagon J-Box

Controls

- Triac Dimming

Compliance

- JA8 TITLE 24 Compliant at 90CRI

Dimmer Compatibility List:

Leviton: IPL06-10Z, 6672-1LW, 6674-POW, DLS06-1LZ
Lutron: TGCL-153P, MACL-153M, CTCL-153P, PD-6WCL

Lumen Output

- 12"/15W: 1,400lm
- 16"/25W: 2,300lm

Warranty

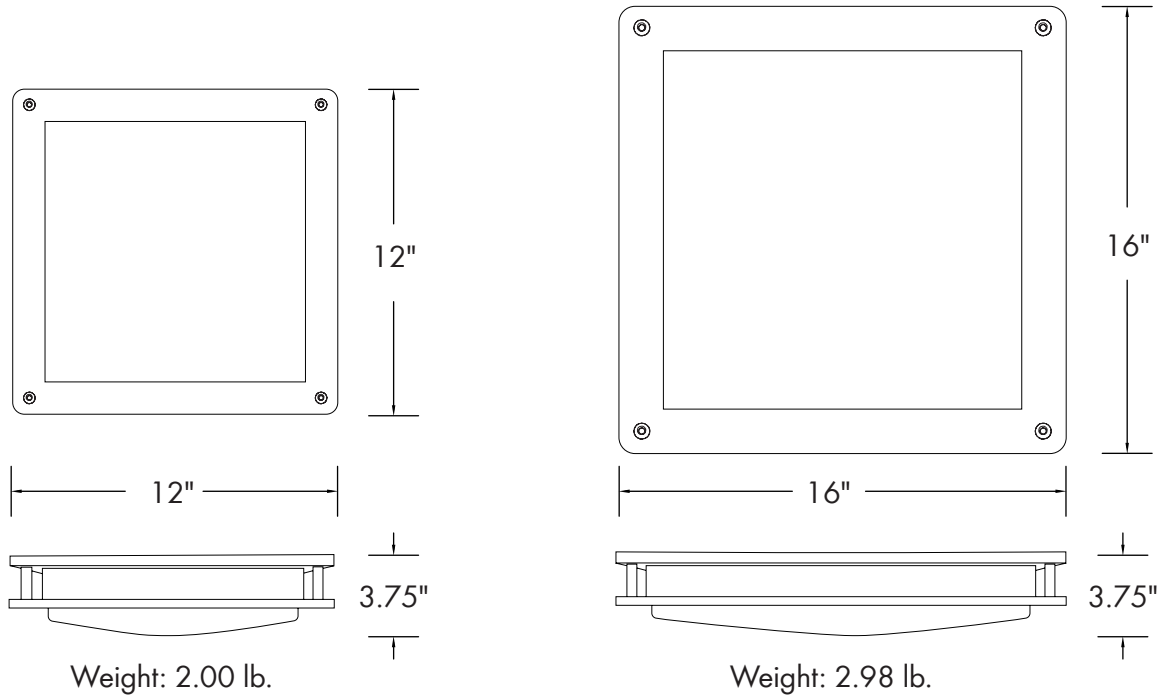
- 5 Year Warranty
- See warranty documentation for more information.



ORDERING INFORMATION **EXAMPLE: DSSC-1215-CC-BN**

DSSC				
Series	Size/Wattage	CCT	Finish	CRI
DSSC	1215 - 12"/15W 1625 - 16"/25W	CC - 3000K/4000K/5000K	BN - Brushed Nickel BK - Black* OB - Oil Rubbed Bronze*	90CRI [Option]

DIMENSIONS



LUMEN OUTPUT

SKU	Size (in)	Wattage (W)	Delivered Lumens (lm)	Efficacy (lm/W)
DSSC-1215-CC-XX	12	15	1400	93
DSSC-1625-CC-XX	16	25	2300	92