

NOTE

Please read this entire manual to fully understand and safely use this product.
 Specification are subject to change without notice.
 Please visit our website the recent user guide versions.

UNPACKING

- ① Unpack and carefully examine the product.
- ② Report any damage and save all packing material if any part(s) were damage during shipping.
- ③ Do not attempt to use this apparatus if it is damaged.

IMPORTANT SAFETY INFORMATION



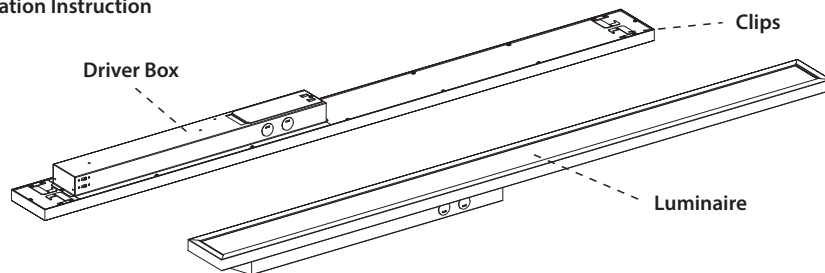
Suitable for damp location. Access above ceiling required. Suitable for suspended ceilings

READ ALL INSTRUCTION BEFORE INSTALLATION

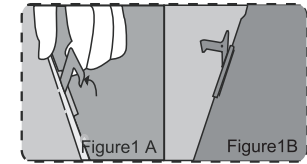
- ① Consult a qualified electrician to ensure correct branch circuit conductor.
- ② The product should be installed and operated by qualified electrician aor technician in accordance with relevant local codes.
- ③ Risk of electric shock. Ensure that main power source is off when wiring or soldering the sections of the product.
- ④ Before installing this fixture or doing any maintenance, make sure to turn off the power supply at the circuit breaker or fuse box.
- ⑤ Check to make sure that all fixture connections have been properly made and the fixture is grounded to avoid potential electrical shocks.
- ⑥ Do not handle energized fixture when hands are wet, when standing on wet or damp surfaces, or in water.
- ⑦ Designed for use in 100-277V, 50/60Hz protected circuit.

Accessory:

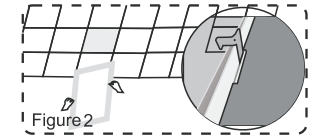
- ① LED Luminaire
- ② Installation Instruction



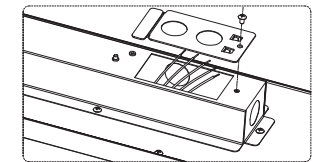
Step1: Bend hang buckle by 90° making it vertical to the rear cover of panel light (Figure 1A). Bend hang buckles top part by 90° (Figure 1B), Same to the other hang buckles.



Step2: Turn off power, remove the ceiling panel, Then place the Panel into the T-bar, ensure the Panel is attached to the ceiling (Figure2) (This clip is only for positioning nor for securement.)



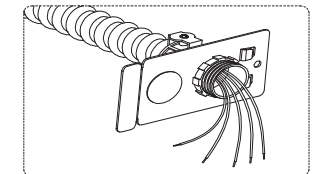
Step3: Open up the driver box. (Figure3)



Step4:

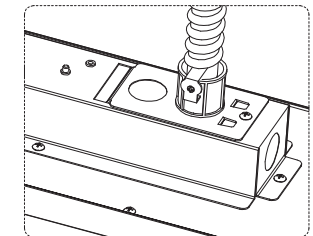
- ① Connect AC Wires
 Input L connects to the black wire of the luminaire, N connects to the white wire, the ground connects to the green wire
- ② Connect Dimmer
 Compatible with 0-10V dimmer
 The driver PUR (D+) to the dimmer+(PUR), and the driver GRY(D-) to the dimmer-(GRY)

Connect the wires with terminal cap as shown in wiring diagram. (Figure4)
 Incoming insulated dimming conductors shall have voltage rated at least equal to the branch voltage.

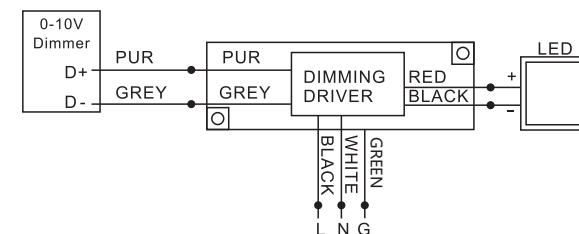


Step5:

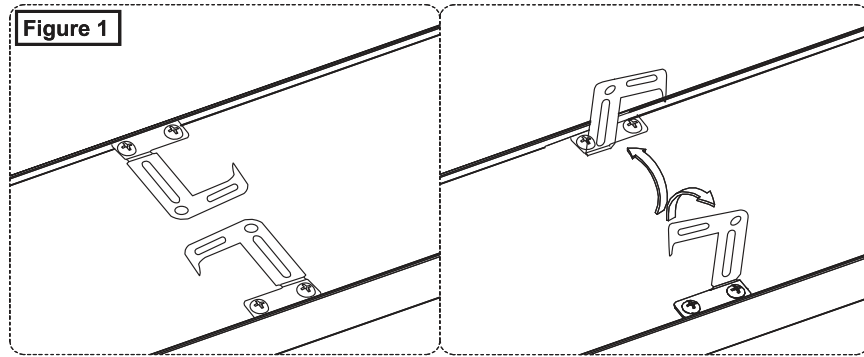
Figure5)



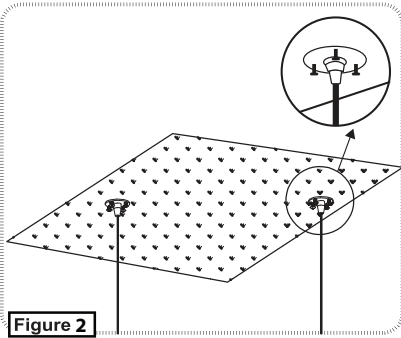
WIRING DIAGRAM



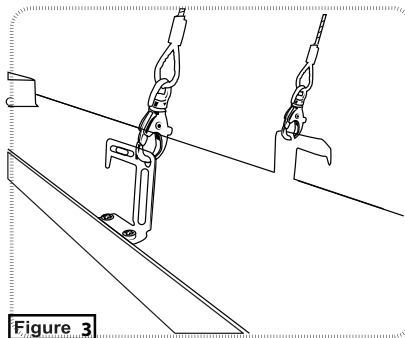
Step 1: Turn off power. Bend hang buckle by 90° making it perpendicular to the panels.



Step 2: Drill the aircraft cables' end mounting brackets onto the ceiling (Dry wood / Concrete) with screws in desired locations. Use hardware appropriate for each surface material type.



Step 3: Use the aircraft cable's two clipping hooks on the cable's ends to lock them into the earthquake clips' eyelets



Finished Installation

