

**WARNING**

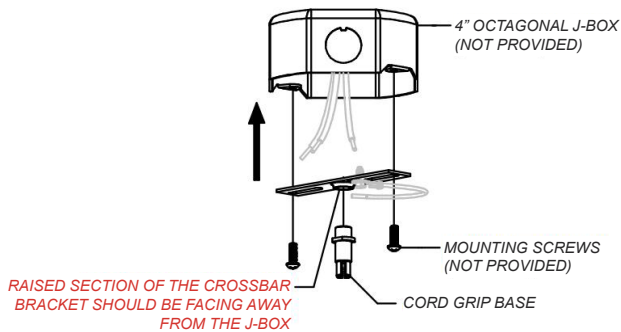
**PLEASE READ ALL INSTRUCTIONS BEFORE ATTEMPTING INSTALLATION**

- To prevent injury or product damage only licensed electricians should install.
- To avoid electric shock or component damage disconnect power before attempting installation or servicing.
- This product must be installed in accordance with the National Electric Code (NEC) and all applicable federal, state and local electric codes and safety standards.
- Any alteration or modification of this product is expressly forbidden as it may cause serious personal injury, death, property damage and/or product malfunction.
- To prevent product malfunction and/or electrical shock this product must be properly grounded.
- This luminaire is designed to operate in ambient temperatures ranging from -40°F to 122°F.
- This product must be installed in accordance with the applicable installation code by a person familiar with the construction and operation of the product and the hazards involved.
- Ensure all terminal connections are secure and not loose.
- Please read this installation instruction guide thoroughly before installations. Save for future reference

## Installation

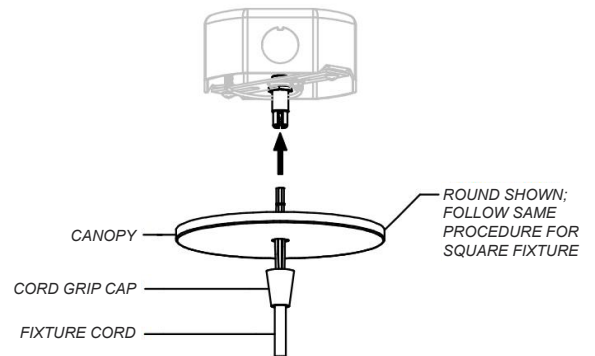
### Step 1. Mount Crossbar

Mount kit crossbar to J-Box with mounting screws (not provided), then thread cord grip base into the crossbar.



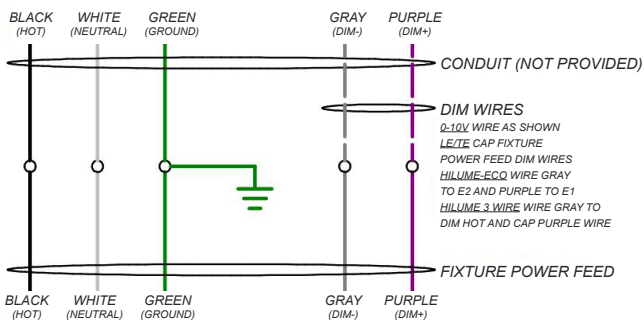
### Step 2. Feed Cord

Feed fixture cord through cord grip cap, then canopy, and then through the cord grip base, adjusting fixture overall length (OAL).



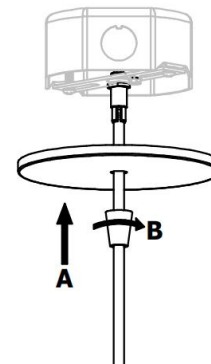
### Step 3. Wire

Wire according to local and national code. Cut and strip as needed. Cap unused wires.



### Step 4. Attach Canopy

Raise the cord grip cap and thread it onto the cord grip base.



## Step 5. Align Housing\*

If the fixture has wall wash trim and/or square housing, align the housing by holding the cord and then rotating the housing.

