

Date:	
Project Name:	
SKU #:	

NEPTUNE FFL-E™
Marine Flanking Light



APPLICATIONS

Marine. Outdoor, Wet Location

FEATURES

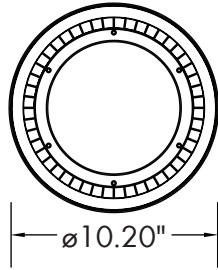
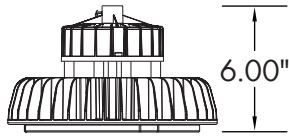
- | | |
|--|--|
| <p>Construction</p> <ul style="list-style-type: none"> - Die-cast aluminum housing - Finish follows corrosion standards according to ISO 9227:2012. | <p>Finish</p> <ul style="list-style-type: none"> - Black - White* |
| <p>Electrical & Technical</p> <ul style="list-style-type: none"> - Input Voltage: 100-277V - Input Frequency: 50/60Hz - Projected Life: L70 > 54,000 hrs - PF: >0.9 - CRI: 75 + - THD: <20% - CCT: 2200K*, 3000K*, 4000K or 5000K - Operating Temp.: -22°F ~ 122°F - IP Rating: IP65 - Surge Protection: 3.75kV [Included] | <p>Optical</p> <ul style="list-style-type: none"> - Tempered Glass Lens - 120° Beam Angle - 90° Beam Angle - 60° Beam Angle - 125° Beam Angle <p>Installation/Mounting</p> <ul style="list-style-type: none"> - Trunnion Mount |
| <p>Controls</p> <ul style="list-style-type: none"> - 1-10V Dimming | <p>Warranty</p> <ul style="list-style-type: none"> - 5 Year Warranty - 7/10 Year Warranty Available. - See warranty documentation for more information. |
| <p>Lumen Output</p> <ul style="list-style-type: none"> • 100W: 13,000lm • 150W: 19,500lm | |



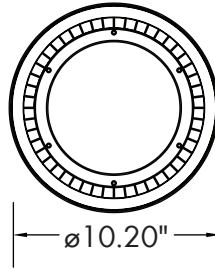
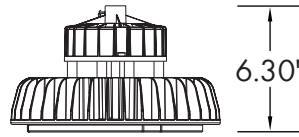
ORDERING INFORMATION **EXAMPLE: FFL-E-100W-40-WD-U-D-TM-B-BAA**

Series	Wattage	CCT	Beam Angle	Input Voltage	Dimming	Mounting Option	Finish	BAA
FFLE	100W 150W	22 - 2200K* 30 - 3000K* 40 - 4000K 50 - 5000K	WD - 120° MD - 90° NF - 60° NS - 15°	U - 100-277V	D - 1-10V Dimming	TM - Trunnion Mount	B - Black W - White *	BAA

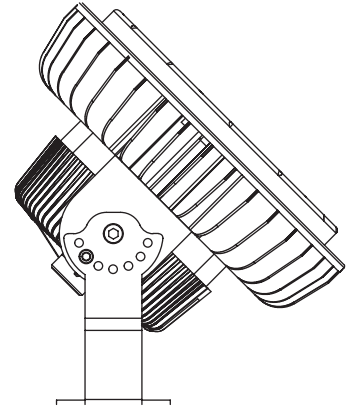
DIMENSIONS



Weight: 6 lb.



Weight: 7 lb.



LUMEN OUTPUT

SKU	Wattage (W)	Delivered Lumens (lm)	Efficacy (lm/W)
FFLE-100W-50K-WD-U-D-TM-X-BAA	100	13000	130
FFLE-150W-50K-WD-U-D-TM-X-BAA	150	19500	130

ACCESSORIES



Adjustable Trunnion Mounting Bracket
(Included)
[TM]