

Date:	
Project Name:	
SKU #:	

**VCP™ 2**  
Visual Comfort Post Top



**APPLICATIONS**

Residential, Commercial, Pedestrian Walkways, Pathways

**FEATURES**

**Construction**

- Die-cast Aluminum Housing

**Finish**

- Dark Bronze [RAL 8019]
- White\* [RAL 9016]
- Black\* [RAL 9011]
- Silver Gray \* [RAL 7046]

**Electrical & Technical**

- Input Voltage: 120-347V
- Input Frequency: 50/60Hz
- Projected Life: L70 > 50,000 hrs
- PF: >0.9
- CRI: >80
- THD: <20%
- Field Adjustable Lumen Output
- CCT Selectable: 3000K/4000K/5000K [Dark Sky Friendly Compliant at 3000K]
- Field Adjustable Distribution: Type III/ Type IV/ Type V [Option]
- Surge Protection: 6kV Standard
- Operating Temp.: -40°F ~ 104°F
- Wet Location Rated
- EPA Rating: 0.34ft²

**Optical**

- Frosted Lens
- Optical Lens [Adjustable Distribution]

**Installation/Mounting**

- Pole Mount: 2-3/8" to 3" Tenon

**Controls**

- 0-10V Dimming
- On/Off Photocell [Integrated]

**Lumen Output**

- 52W: 8,750lm
- 78W: 12,500lm
- 104W: 15,500lm
- 130W: 18,500lm

**Warranty**

- 5 Year Warranty  
See warranty documentation for more information.



**ORDERING INFORMATION**

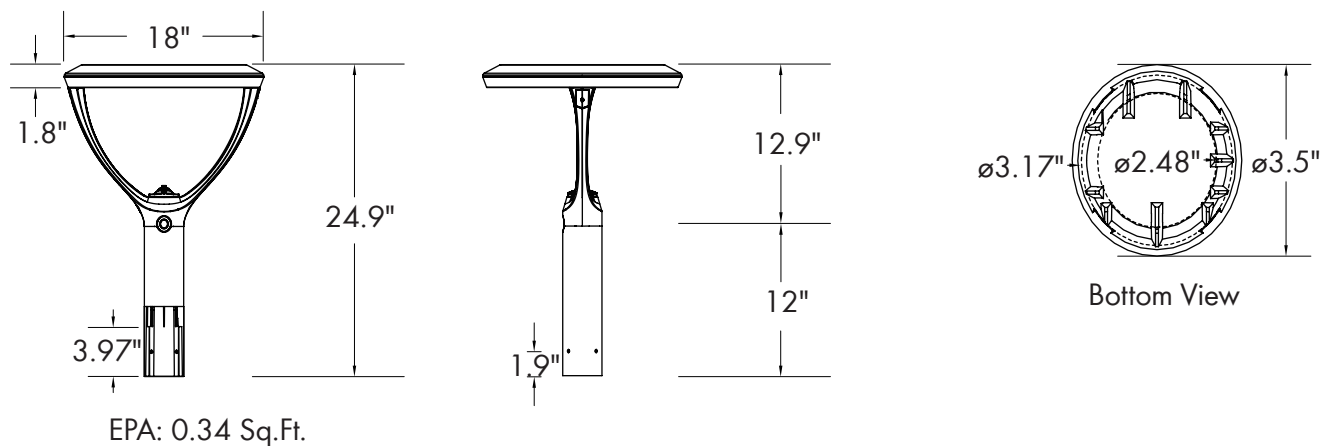
**EXAMPLE: VCP2-L-C-U-D0-G-D**

VCP2						
Series	Wattage	CCT	Input Voltage	Control	Distribution	Finish
VCP2	L - 130W/104W/78W/52W	C - 3000K/4000K/5000K	U - 120-347VAC	D0 - 0-10V Dimming	FL - Frosted Lens AD - Type III/Type IV/Type V	D - Dark Bronze W - White* B - Black* S - Silver Gray*

**Pole Adapters**

- TGS-VT3-D (3" Round Pole Mount with 2 3/8" O.D Tenon)
- TGS-VT4-D (4" Round Pole Mount with 2 3/8" O.D Tenon)
- TGS-VTS4-D (4" Square Pole Mount with 2 3/8" O.D Tenon)
- TGS-VTS5-D (5" Square Pole Mount with 2 3/8" O.D Tenon)

### DIMENSIONS



### LUMEN OUTPUT

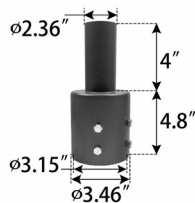
5000K (Type V)

SKU	Wattage (W)	Delivered Lumens (lm)	Efficacy (lm/W)	Delivered Lumens (lm)	Efficacy (lm/W)	Delivered Lumens (lm)	Efficacy (lm/W)	Delivered Lumens (lm)	Efficacy (lm/W)
VCP2-L-C-U-D0-AD-D	52/78/104/130	8750 (52W)	168	12500 (78W)	160	15500 (104W)	149	18500 (130W)	142

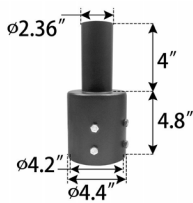
### ELECTRICAL LOAD

Wattage (W)	Current (A)				
	120V	208V	240V	277V	347V
52	0.43	0.25	0.21	0.18	0.14
78	0.65	0.37	0.32	0.28	0.22
104	0.86	0.50	0.43	0.37	0.30
130	1.08	0.63	0.54	0.47	0.37

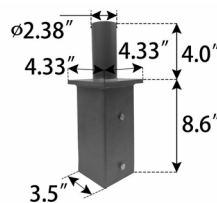
### ACCESSORIES



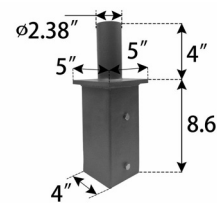
3" Round Pole  
2-3/8" O.D.  
Tenon  
[TGS-VT3-D]



4" Round Pole  
2-3/8" O.D.  
Tenon  
[TGS-VT4-D]



4" Square Pole  
2-3/8" O.D.  
Tenon  
[TGS-VTS4-D]



5" Square Pole  
2-3/8" O.D.  
Tenon  
[TGS-VTS5-D]