

Date:	
Project Name:	
SKU #:	

**LUNAR™**  
Architectural Round



**MOUNTING OPTIONS**



Cable Mount  
[CM10, CM12,  
CM15]

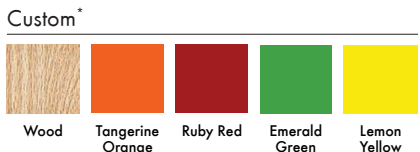
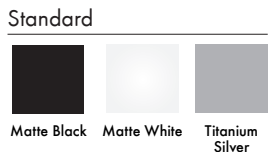


Pendant Mount  
[Stem Not Included]  
[Stem Sold Separately\*]  
(Option)  
[PM]



Surface Mount  
(Option)  
[SM]

**FINISHES**



NOTE: Any Custom Color Available\*

**APPLICATIONS**

Commercial, Retail, Office, Public Spaces

**FEATURES**

**Construction**

- Extruded Aluminum Shallow Housing
- Powder Coating Finish
- Cable Mount:  
Black or Transparent Power Cord

**Finish**

- Matte Black
- Matte White
- Wood\*
- Titanium Silver\*
- Tangerine Orange\*
- Ruby Red\*
- Emerald Green\*
- Lemon Yellow\*
- Custom\*

**Electrical & Technical**

- Input Voltage: 120-277V  
[Philips Advanced Xitanium LED Driver Auto Sensing Input]
- Input Frequency: 50/60Hz
- Projected Life: L70 > 50,000 hrs
- PF: >0.9
- CRI: >90
- THD: <20%
- CCT: \*2700K, 3000K, 3500K, 4000K, \*5000K
- 3-Step SDCM MacAdam Ellipse
- Operating Temp.: -4°F ~ 104°F
- IP Rating: IP20
- 15W Emergency Inverter Option [Field Install]
- 10W Bodine Inverter Option [Field Install]

**Optical**

- Regressed Prismatic Lens  
0.118" Acrylic
- Choice of Direct or Indirect  
Output: 80% Direct Light &  
20% Indirect Uplight

**Installation/Mounting**

- Cable Mount
  - Available Lengths:  
10' [Standard], 12', 15'
- Surface Mount [Option]
- Pendant Mount [Option]  
[Stem Not Included]  
[Stem Sold Separately\*]

**Controls**

- 0-10V Dimming [Single Circuit: Standard]
- 0-10V Dimming [Two Circuit: Option]
- 1-10V Dimming [Single Circuit 1% Dimming: Option]\*
- 1-10V Dimming [Two Circuit 1% Dimming: Option]\*

**Lumen Output**

- 30W: 3,000lm
- 40W: 4,000lm
- 60W: 6,000lm
- 80W: 8,000lm
- 100W: 10,000lm
- 120W: 12,000lm

**Warranty**

- 5 Year Warranty
- See warranty documentation for more information.



**ORDERING INFORMATION**      **EXAMPLE: LUNA-18-30W-30K-U-D1-B-CM010-D**

Series	Size	Wattage	CCT	Input Voltage	Control	Finish	Mounting Option	Uplight Option
LUNA	18 - 18"	30W 40W	27K - 2700K* 30K - 3000K	U - 120-277V	D1 - 0-10V Dimming Single Circuit (Standard) D2 - 0-10V Dimming Two Circuit D3 - 1-10V Dimming Single Circuit (1% Dimming) D4 - 1-10V Dimming Two Circuit (1% Dimming)	<b>STANDARD</b> B - Matte Black W - Matte White S - Titanium Silver  <b>CUSTOM*</b> T - Wood O - Tangerine Orange R - Ruby Red G - Emerald Green Y - Lemon Yellow C - Custom	CM10 - 10' Cable Mount CM12 - 12' Cable Mount CM15 - 15' Cable Mount SM - Surface Mount PM - Pendant Mount	D - Direct Illumination U - Uplight Illumination (20% of System Lumens)
	24 - 24"	40W 60W	35K - 3500K 40K - 4000K 50K - 5000K*					
	30 - 30"	60W 80W						
	36 - 36"	80W 100W						
	48 - 48"	100W 120W						

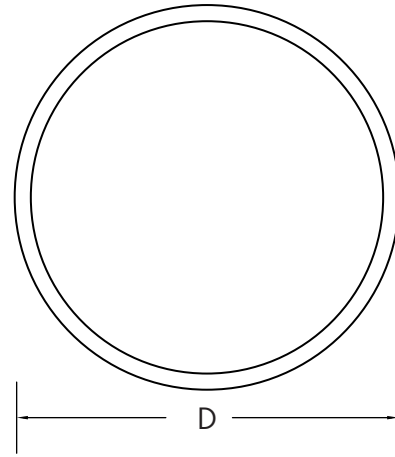
**Accessories**

ELIS10CDF (Bodine Inverter 10W)
TGS-15W-INT (Emergency Inverter 15W)

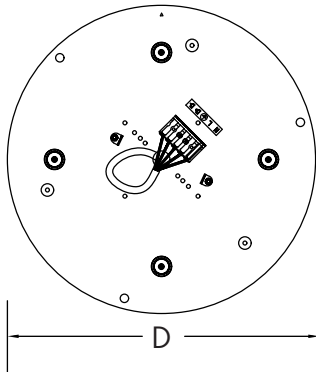
DIMENSIONS



Size	Height (H)	Diameter (D)	Weight
LUNA-18	4.50"	ø17.1"	14 lb.
LUNA-24	4.50"	ø23.0"	15 lb.
LUNA-30	4.50"	ø29.0"	27 lb.
LUNA-36	4.50"	ø34.3"	29 lb.
LUNA-48	4.50"	ø45.3"	45 lb.

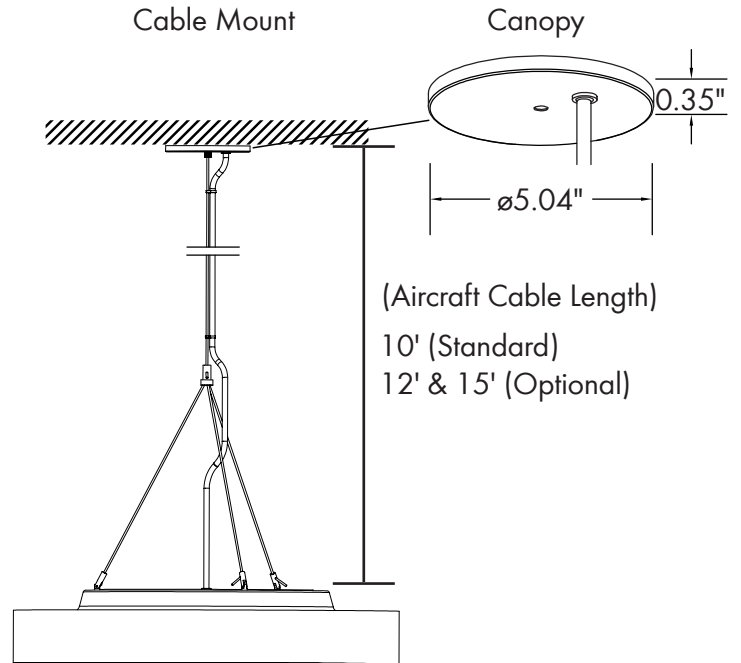


Surface Mount Plate



Size	Height	Diameter (D)
LUNA-18	0.05"	ø10.83"
LUNA-24	0.05"	ø14.17"
LUNA-30	0.05"	ø14.17"
LUNA-36	0.05"	ø14.17"
LUNA-48	0.05"	ø14.17"

Cable Mount



LUMEN OUTPUT

SKU	Wattage (W)	Delivered Lumens (lm)	Efficacy (lm/W)
LUNA-18-30W-40K-U-D1	30	3000	100
LUNA-18-30W-40K-U-D1	40	4000	100
LUNA-24-40W-40K-U-D1	40	4000	100
LUNA-24-60W-40K-U-D1	60	6000	100
LUNA-30-60W-40K-U-D1	60	6000	100
LUNA-30-80W-40K-U-D1	80	8000	100
LUNA-36-80W-40K-U-D1	80	8000	100
LUNA-36-100W-40K-U-D1	100	10000	100
LUNA-48-100W-40K-U-D1	100	10000	100
LUNA-48-120W-40K-U-D1	120	12000	100

ACCESSORIES



Bodine Inverter 10W  
(Option)  
(Installed Remotely)  
(Works up to 100W)  
[ELIS10CDF]



Emergency Inverter 15W  
(Option)  
[TGS-15W-INT]