

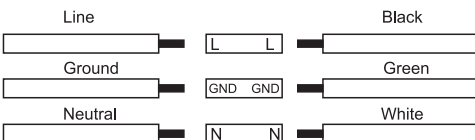
WARNING

PLEASE READ ALL INSTRUCTIONS BEFORE ATTEMPTING INSTALLATION

- To prevent personal injury or product damage only licensed electricians should attempt to install.
- To avoid electric shock or component damage disconnect power before attempting installation or servicing.
- This product must be installed in accordance with the current National Electric Code (NEC) and all applicable federal, state and local electric codes and safety standards.
- Do not use these products where elevated ambient temperature exist.
- Disconnect product and allow cooling prior to servicing.
- Any alteration or modification of this product is expressly forbidden as it may cause serious personal injury, death, property damage and/or product malfunction.
- To prevent product malfunction and/or electrical shock this product must be properly grounded.
- Use only a mild soap and wipe a with soft cloth to clean the fixture, Harsh chemicals will damage the finish.
Do not wipe fixture with a rough cloth that may scratc ht eh finish or reflector.
- This fixture is suitable for use in dry and damp locations.
- Supply power can be linked up to the max run listed on product label.
- Do not use with dimmers.

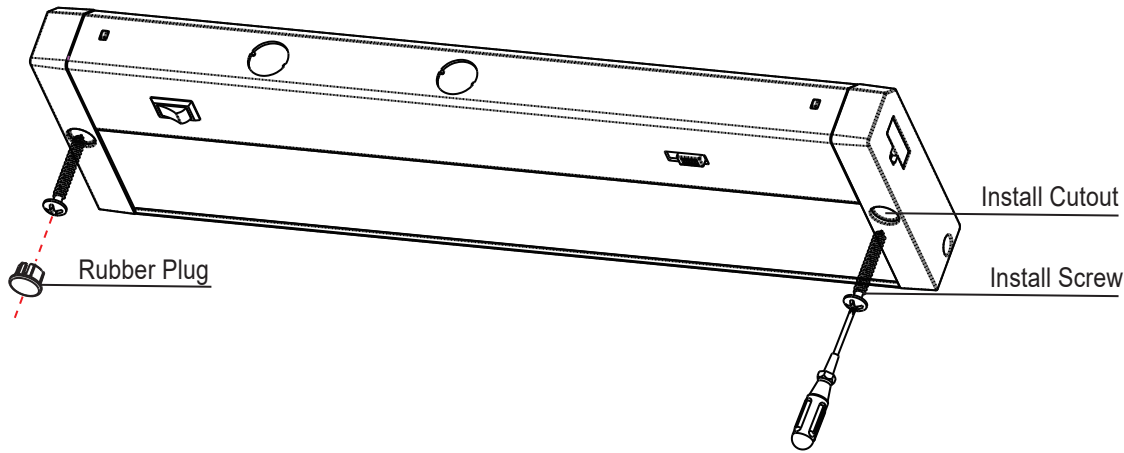
Model	HIM-1206-C-XX	HIM-1809-C-XX	HIM-2412-C-XX	HIM-3216-C-XX	HIM-4020-C-XX
Input voltage	120VAC				
Power	6W	9W	12W	16W	20W
Operating Temperature	-4 °F ~ 104 °F				
Storage Temperature	-40 °F ~ 140 °F				
Environmental Rating	Damp locations				
Fixture dimension	L12*W3.35*H1.22inch	L18*W3.35*H1.22inch	L24*W3.35*H1.22inch	L32*W3.35*H1.22inch	L40*W3.35*H1.22inch
Fixture Weight	0.76lb	1.07lb	1.41lb	2.10lb	2.43lb
MAX Link power	600W				

Wiring Digram



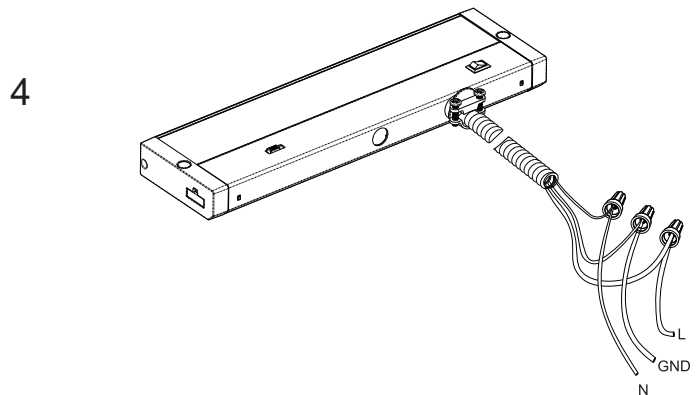
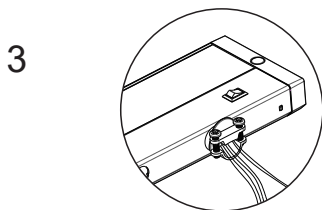
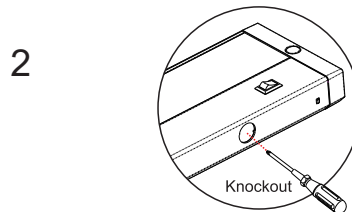
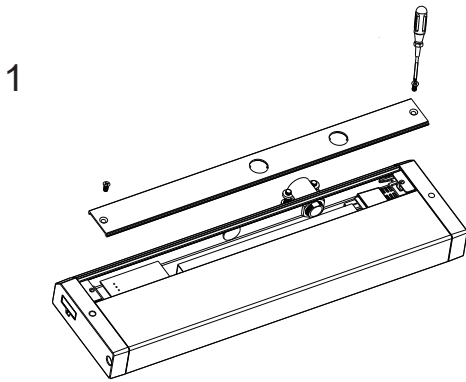
Mounting

Use screws to secure the lamp body to the intend surface location and cover with rubber plug.



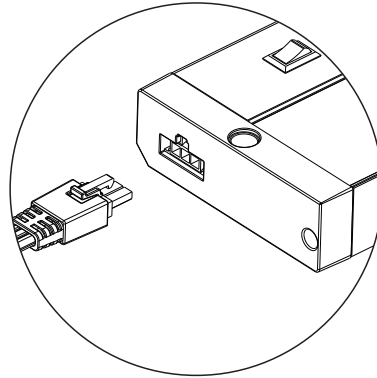
Hardwiring

1. Use screwdriver to unscrew the cover screw and remove the cover plate.
2. Use a tool to punch out the knockout hole.
3. Mount provided strain relief onto the knockout hole.
4. Connect wires through the strain relief, make sure the wiring is correct:
 - Black Wire to Line
 - White Wire to Neutral
 - Green Wire to Ground
5. Place the cover plate back on after wiring is completed.



Plug-in Connection

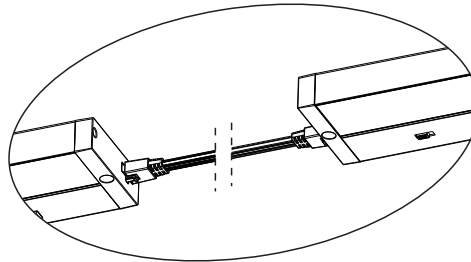
Use the provided plug-in connection cable into the input socket of the light, into a standard 3pring (5-15R) outlet.



Linking Connection

Using provided interconnect (direct or cable), connect lights in a series.

Note: when runing lights in seres, connection must be made from the output of one light to intp ot another light
Series of light should not exceen 246W maximum total power.



ON/OFF & CCT Selection

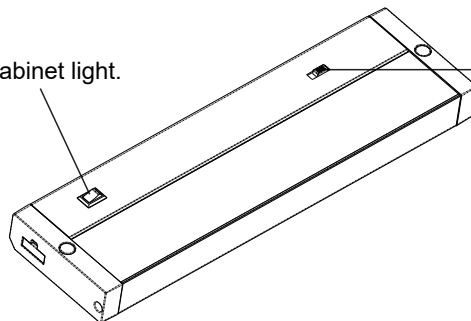
Press ON/OFF Switch to turn on or turn off the under cabinet light.

Slide CCT selection switch to desired setting: 2700K/3000K/3500K/4000K/5000K

Note: When making CCT selection, please turn off the under cabinet light before making a selection.

Press On/Off

Switch to Turn On or Off the under cabinet light.



5CCT Selectable Switch

2700K-3000K-3500K-4000K-5000K