

Date:	
Project Name:	
SKU #:	

Outline
T-Grid Lighting



APPLICATIONS

Commercial, Retail, Office, Public Spaces

FEATURES

Construction

- Aluminum frame for lightweight body.

Finish

- White Lens

Electrical & Technical

- Input Voltage: 120-277V
- Input Frequency: 50/60Hz
- Projected Life: L70 > 50,000 hrs
- PF: >0.9
- CRI: >80
- THD: <20%
- CCT Selectable: 3500K/4000K/5000K
- Operating Temp.: -22°F ~ 104°F
- Damp Location Rated
- 15W Emergency Inverter [Option]
- 8W Emergency Battery Backup [Option]

Optical

- Acrylic Lens

Installation/Mounting

- Suitable for 15/16" T-Grid Installation

Controls

- 0-10V Dimming
- Bi-level Occupancy/Daylight Harvesting Sensor [Option]

Lumen Output

- 2'x2':
 - 27W (2,700lm)
 - 35W (3,500lm)
 - 40W (4,000lm)
- 2'x4':
 - 35W (3,500lm)
 - 45W (4,500lm)
 - 54W (5,400lm)

Warranty

- 5 Year Warranty
See warranty documentation for more information.



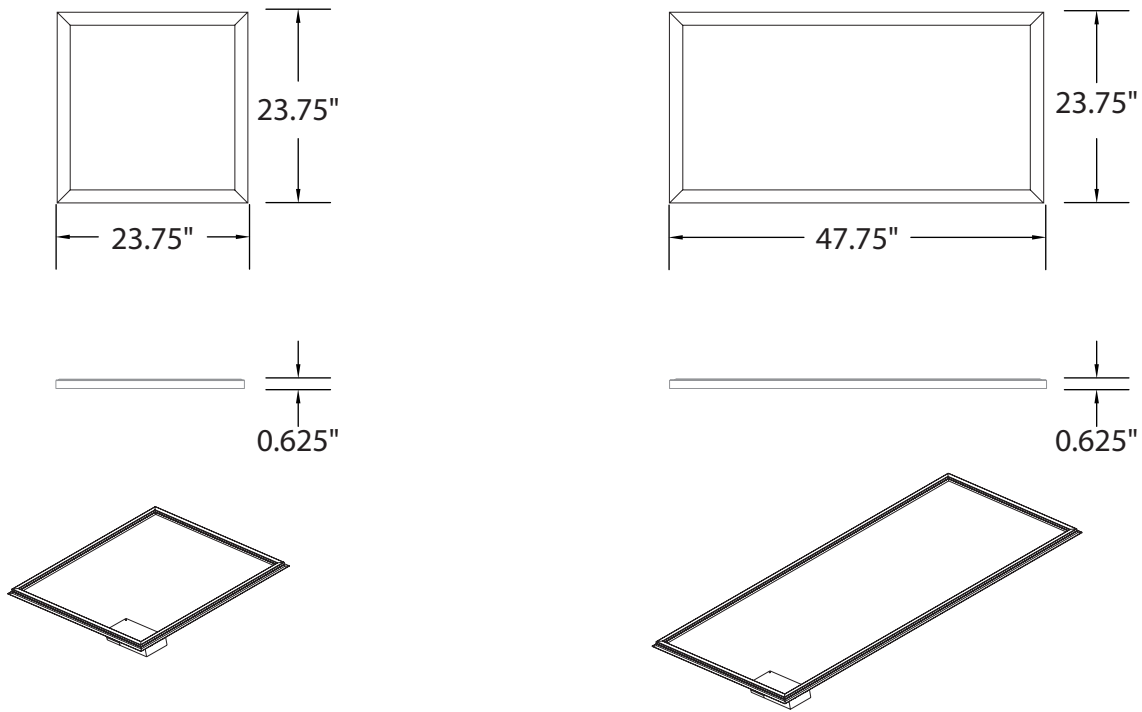
ORDERING INFORMATION **EXAMPLE: OFL-22-L-C-U-D**

Series	Size	Wattage	CCT	Input Voltage	Control
OFL	22 - 2'x2'	L - 27W/35W/40W	C - 3500K/4000K/5000K	U - 120-277V	D - 0-10V Dimming
OFL	24 - 2'x4'	L - 35W/45W/54W			

Accessories

- T-BR-EM (T-Bar Bracket for Emergency Battery Backup)
- TGS-15W-INT [15W Emergency Inverter]
- OFL-EM [8W Emergency Battery Backup]
- RC-RC-100 (Wireless Configuration Tool)
- M [Bi-level Occupancy/Daylight Harvesting Sensor]

DIMENSIONS



LUMEN OUTPUT

SKU	Size (LxW)	Wattage (W)	Delivered Lumens (lm)	Efficacy (lm/W)	Delivered Lumens (lm)	Efficacy (lm/W)	Delivered Lumens (lm)	Efficacy (lm/W)
OLF-22-L-C-U-D	2'x2'	27/35/40	2700 (27W)	100	3500 (35W)	100	4000 (40W)	100
OLF-24-L-C-U-D	2'x4'	35/45/54	3500 (35W)	100	4500 (45W)	100	5400 (54W)	100

ACCESSORIES



Emergency Battery Backup 8W (Option) [OFL-EM]



Emergency Inverter 15W (Option) [TGS-15W-INT]



Daylight Occupancy/Daylight Harvesting Sensor (Option) [M]



Wireless Configuration Tool (Sold Separately) [RC-RC-100]



T-Bar Emergency Battery Bracket [TR-BR-EM]

CONTROL PRE-COMMISSIONING

Default setting are indicated by*

High-End Trim/ Tuning	Sensitivity Range	Time Delay	Daylight Harvesting	Stand-by Light Level Setting	Stand-by Time Setting
70%	20%	10s	Light Sensor Disabled*	0%	∞
80%	50%	1min	1FC (10lux)	10%*	1min
90%	75%	10min*	3FC (30lux)	30%	30min
100%*	100%*	15min	5FC (50lux)	50%	60min*

High-End Trim/Tuning:

Setting that determines the maximum lumen output through high-end trim tuning, can be reduced by up to 30 percent.

Sensitivity Range:

Setting that determines the sensitivity range of the motion sensor when the daylight sensor is disabled.

Time Delay:

The light can be set to stay ON for any period of time between approx. 10 sec. to a maximum of 60 min. Any movement detected before this time elapse will re-start the timer.

Daylight Harvesting:

The chosen light response threshold can be disabled or respond when photocell detects foot candle levels 1-5 FC

Stand-by Light Level:

Setting determines how much lumen output is dimmed down to when no motion is detected.

Stand-by Time:

Setting determines how long after stand-by light level occurs the light will shut off. Up to 60 minutes.