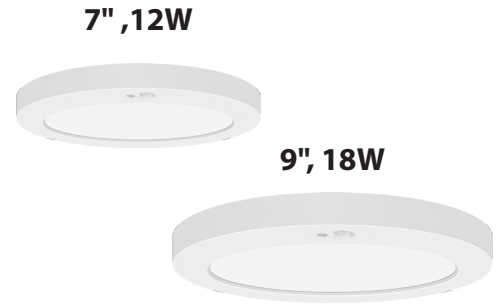


**THINTEK™ MINI PIR**

**Edge Lit Downlight**



**DESCRIPTION**

The TGS ThinTek™ Mini PIR low profile surface mounted downlight is an ideal solution for ceiling or surface mount applications. This 0.78" ultra-slim luminaire available option with an integral driver for existing junction boxes, can lights, or new construction applications. It comes with built-in tri-color switch option for 3000K, 4000K, and 5000K and ON/Off passive infrared sensor.

**APPLICATIONS**

Residential, Institution, Hospitality, Retail, Offices, Schools, Basement remodels, Kitchens and Hallways.

**FEATURES**



**ThinTek™ Mini PIR**

7", 12W (780 lm)  
9", 18W (1,150 lm)

Projected L70: 50,000+ hours  
Warranty: 5 Year

**Construction**

Injection molded PC housing, white thin profile and lightweight design.

**Electrical**

Integrated driver with short circuit protection.  
Input voltage: 120VAC, 60Hz



**Optical System**

Glare controlling lens for comfortable light distribution.  
Provides a 120° beam angle.

**Installation/ Mounting**

Surface Mounting (4" J-box , Octagon J-Box, Pan J-box)  
and Torsion Clip Mounting



**Warranty**

5 Year Warranty.  
See warranty documentation for more information.

**Controls/Dimming**

CCT Switchable between 3000K/4000K/5000K.  
Integrated On/Off Passive Infrared Sensor with day or night mode.



**Ordering Information**

**EXAMPLE: 880712-PR-TM-CC**

LED Round Panel	Size/Wattage	Shape/Type	Series	CCT
88	0712 - 7 in/12W 0918 - 9 in/18W	PR	TM - ThinTek™ Mini	CC - 3000K/4000K/5000K
				Mounting Option 88-TC-R (5/6 Torsion Clip Retrofit Kit)

Specifications and Dimensions subject to change without notice.

\*MOQ and longer lead times may apply, please contact customer service for more information.

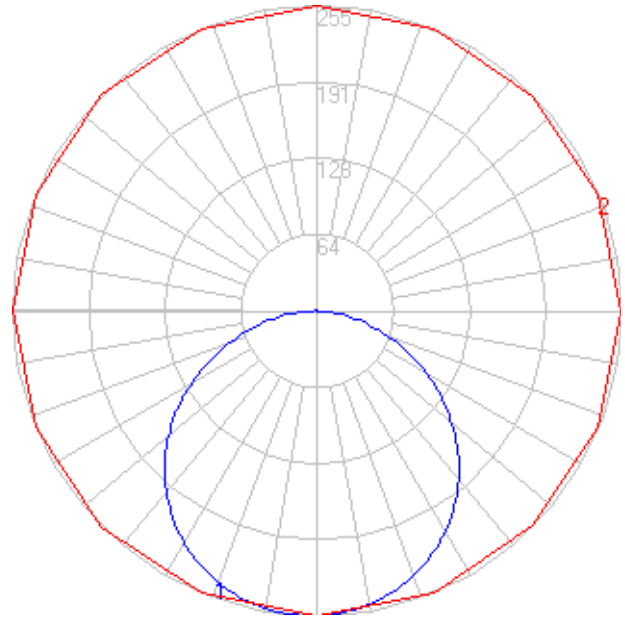
**Performance Information**

Input Voltage	120VAC
Input Frequency	60Hz
Wattage	See Performance Table
Delivered Lumens	See Performance Table
Efficacy	See Performance Table
CRI	>90
Available CCT	3000K, 4000K, 5000K
Projected L70	50,000+ hours
Power Factor	>0.9
THD	<20%
Dimming	No
Operating Temp.	-4°~104°F
IP Rating	Damp Location Rated

**Photometric Data**

7, 12W, 3000K

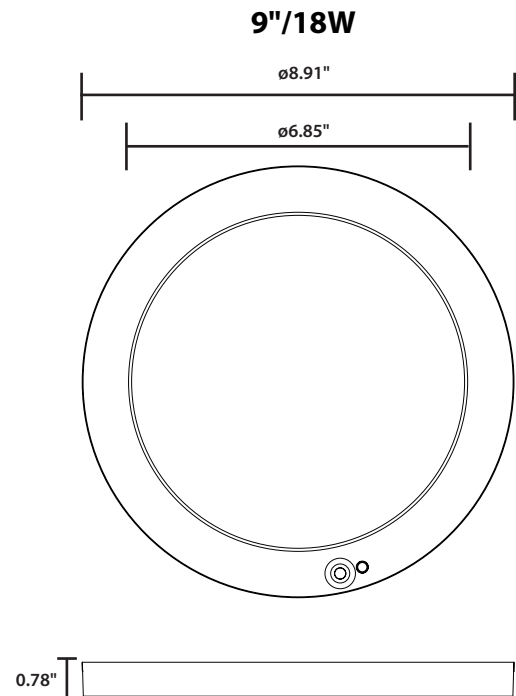
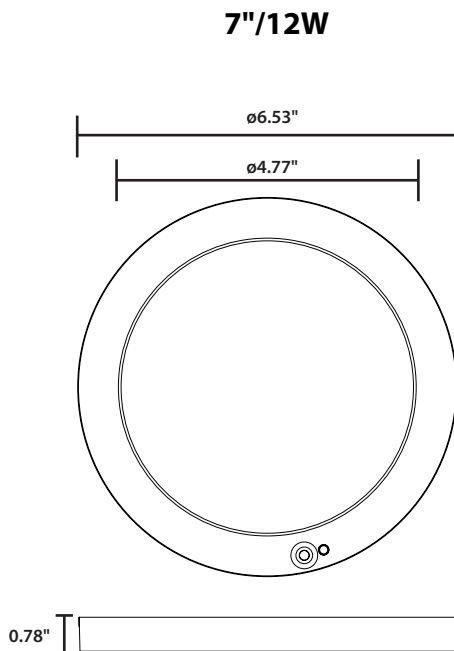
\*IES Available Upon Request



**Performance Table**

SKU	Size (in)	Wattage (W)	3000K	
			Delivered Lumens (lm)	Efficacy (lm/W)
880712-PR-TM-CC	7	12	750	65
880918-PR-TM-CC	9	18	1150	65

**Product Dimensions**

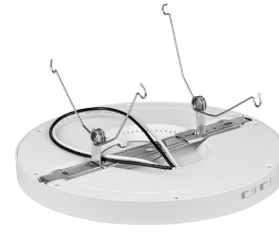


**Installation Kits and Accessories**

---



**Surface Mount Kit  
(Included)**



**Torsion Clip Kit  
(For 6" Recess Housing)  
Housing Not Included  
88-TC-R**