

WARNING

PLEASE READ ALL INSTRUCTIONS BEFORE ATTEMPTING INSTALLATION

- To prevent personal injury or product damage only licensed electricians should install.
- To avoid electric shock or component damage disconnect power before attempting installation or servicing.
- This product must be installed in accordance with the national electric code (NEC) and all applicable federal, state and local electric codes and safety standards.
- Disconnect product and allow cooling prior to servicing.
- Any alteration or modification of this product is expressly forbidden as it may cause serious personal injury, death, property damage and/or product malfunction.
- To prevent product malfunction and/or electrical shock this product must be properly grounded.
- This product must be installed in accordance with application installation code by a person familiar with the construction and operation of the product and the hazards involved.
- Constant current can be achieved by 0-10VDC Dimming.

Installation

Wiring Diagram

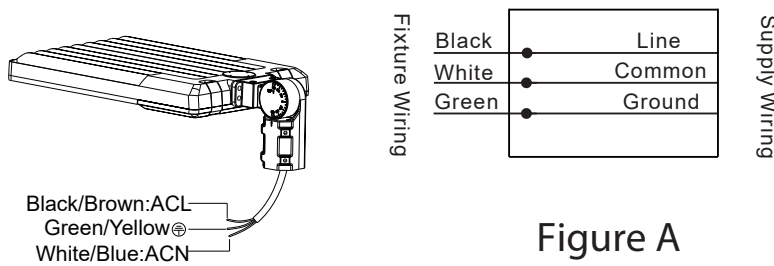
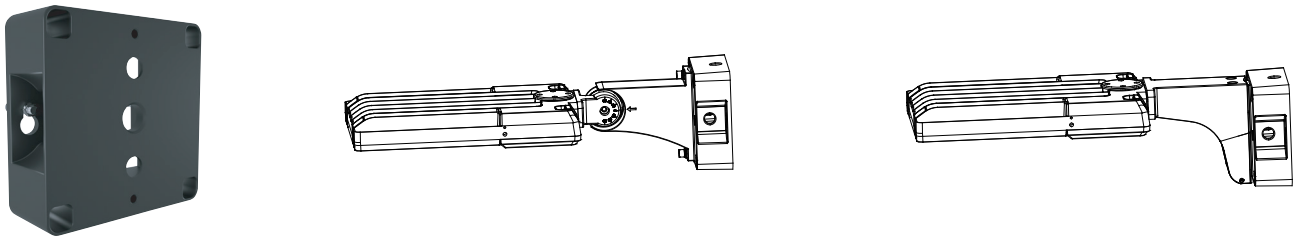


Figure A



Wall Mount

Step 1: Drill holes on a sturdy surface as shown in Figure 1.

Step 2: Hammer in expansion bolts which are provided into the drilled holes as shown in Figure 2 and loosen the nuts.

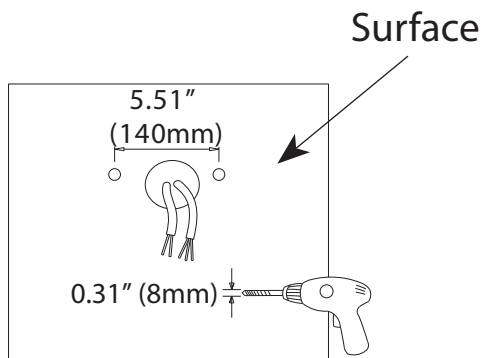


Figure 1

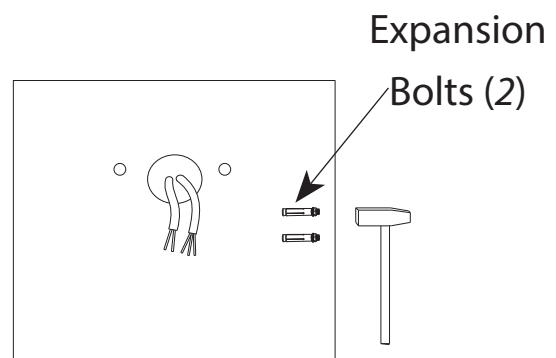


Figure 2

Note: These instructions do not cover all details or variations in equipment nor do they provide for every possible situation during installation, operation, or maintenance.

Step 3: Feed wires through the wall mount kit.

Step 4: Secure wall mount kit to the fixture with 2 screws which are provided. (Figure 3)

Step 5: Wire the fixture leads to the supply wires using UL listed wire connectors according to NEC and local Codes. (Figure 4) Push all wires into wall mount kit.

Step 6: Place the fixture and wall mount kit on expansion bolts and secure with nuts. (Figure. 5)

Step 7: For Conduit entry, remove conduit cap as shown in Figure 3, feed supply wires through conduit opening. Wire the fixture leads to supply wires using UL Listed wire connectors. Push all wire in the wall mount kit and follow mounting instructions above.

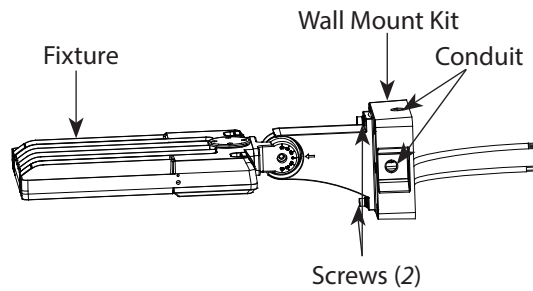


Figure 3

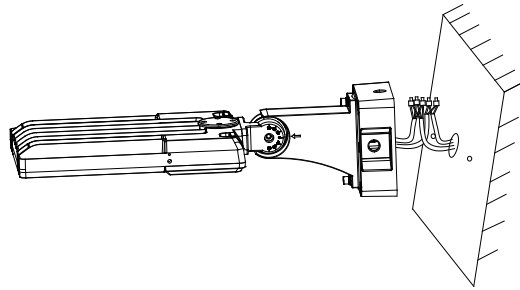


Figure 4

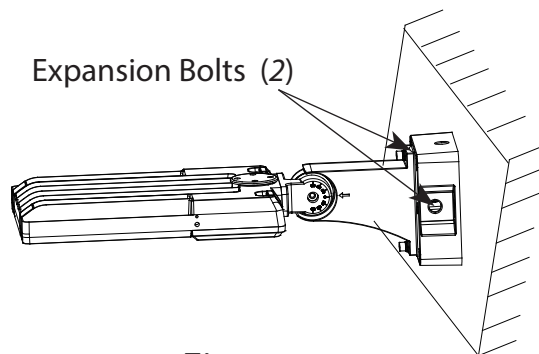


Figure 5