

TrueFit™ G2
Linear Tube (Type A/B)

Date:	
Project Name:	
SKU #:	

APPLICATIONS

Commercial, Retail, Institution, and Hospitality

FEATURES**Construction**

- Uniformed PC Lens and Housing

Finish

- White

Electrical & Technical

- Input Voltage: 100-277V
- Input Frequency: 50/60Hz
- Projected Life: L70 > 50,000 hrs
- PF: >0.99
- CRI: >80
- THD: <20%
- CCT: 3500K, 4000K, 5000K
- Operating Temp.: -4°F ~ 104°F
- Suitable For Damp Location
- High Voltage Battery Backup

Optical

- Glare Free Lens
- 330° Beam Angle

Installation/Mounting

- G13 (Bi-pin): Compatible with T8 and T12 Sockets
- Type A: Plug & Play [Ballast Compatible] [Works [With Over 200 Electronic Ballast]
- Type B: Bypass Ballast for Direct Line Wiring [Double Ended Power]

Lumen Output

- 2' 10W (1,350lm)
- 3' 10W (1,350lm)
- 4' 12W (1,620lm)
- 4' 15W (2,025lm)

Warranty

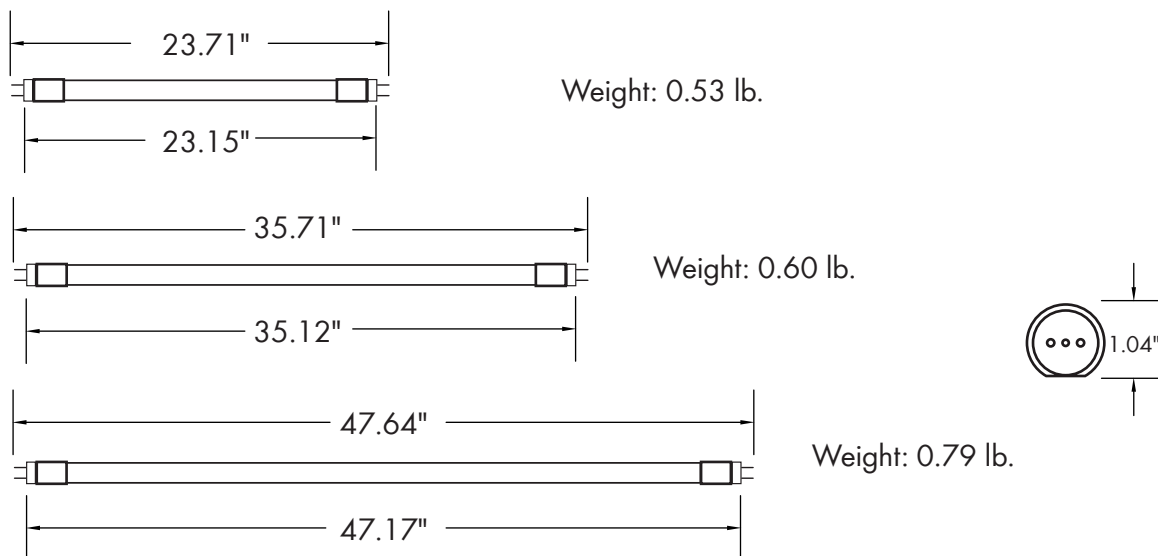
- 5 Year Warranty
- See warranty documentation for more information.

**ORDERING INFORMATION****EXAMPLE: 834115-30-AB-P**

83					
Tube	Size	Wattage	CCT	Type	Lens Cover
83	21 - 24"	10 - 10W	35 - 3500K 40 - 4000K 50 - 5000K	AB - Type A [Plug & Play (Ballast Compatible)] Type B [Bypass Ballast for direct line wiring (Double Ended Power)]	P- PC Lens
	31 - 36"	10 - 10W			
	41 - 48"	12 - 12W 15 - 15W			

Accessories90025-H-GEN-3 (25W Emergency Battery Driver)
9913-A (Non-Shunted Tombstones)

DIMENSIONS



LUMEN OUTPUT

SKU	Size (ft)	Wattage (W)	Delivered Lumens (lm)	Efficacy (lm/W)
832110-40-AB-P	2	10	1350	135
833110-40-AB-P	3	10	1350	135
834112-40-AB-P	4	12	1620	135
834115-40-AB-P	4	15	2025	135

BALLAST FACTOR

		Bare Lamp	Low Ballast Factor (0.78)	Normal Ballast Factor (0.88)	High Ballast Factor (1.10)
2'	Wattage	10W	9.2W	10.5W	12.5W
	Lumen	1350	1150	1350	1500
3'	Wattage	10W	9.2W	10W	12.5W
	Lumen	1350	1150	1350	1500
4'	Wattage	12W	12.5W	15.5W	16.5W
	Lumen	1620	1500	1860	1980
	Wattage	15W	14.2W	16.5W	17.8W
	Lumen	2025	1704	1980	2136

ACCESSORIES



Non-Shunted Tombstone (Option) [9913-A]



Emergency Battery Backup Driver (Option) [90025-H-GEN-3]

BALLAST COMPATIBILITY LIST

GE:

1. **GE-132MAX-L/ULTRA** INSTANT START BALLAST
2. **GE-232MAX-L/ULTRA** INSTANT START BALLAST
3. **GE-332MAX-L/ULTRA** INSTANT START BALLAST
4. **GE-432MAX-L/ULTRA** INSTANT START BALLAST
5. **GE-132MAX-N/ULTRA** INSTANT START BALLAST
6. **GE-232MAX-N/ULTRA** INSTANT START BALLAST
7. **GE-332MAX-N/ULTRA** INSTANT START BALLAST
8. **GE-432MAX-N/ULTRA** INSTANT START BALLAST
9. **GE-132MAX-H/ULTRA** INSTANT START BALLAST
10. **GE-232MAX-H/ULTRA** INSTANT START BALLAST
11. **GE-332MAX-H/ULTRA** INSTANT START BALLAST
12. **GE-432MAX-H/ULTRA** INSTANT START BALLAST
13. **GE-132MAX-347-L** INSTANT START BALLAST
14. **GE-232MAX-347-L** INSTANT START BALLAST
15. **GE-332MAX-347-L** INSTANT START BALLAST
16. **GE-432MAX-347-L** INSTANT START BALLAST
17. **GE-132MAX-347-N** INSTANT START BALLAST
18. **GE-232MAX-347-N** INSTANT START BALLAST
19. **GE-332MAX-347-N** INSTANT START BALLAST
20. **GE-432MAX-347-N** INSTANT START BALLAST
21. **GE-132MAX-347-H** INSTANT START BALLAST
22. **GE-232MAX-347-H** INSTANT START BALLAST
23. **GE-332MAX-347-H** INSTANT START BALLAST
24. **GE-432MAX-347-H** INSTANT START BALLAST
25. **GE-132MAX-H-42T** INSTANT START BALLAST
26. **GE-232MAX-H-42T** INSTANT START BALLAST
27. **GE-332MAX-H-42T** INSTANT START BALLAST
28. **GE-432MAX-H-42T** INSTANT START BALLAST
29. **GE-132MAX-G-N-DIYB** INSTANT START BALLAST
30. **GE-232MAX-G-N-DIYB** INSTANT START BALLAST
31. **GE-332MAX-G-N-DIYB** INSTANT START BALLAST
32. **GE-432MAX-G-N-DIYB** INSTANT START BALLAST
33. **GE-132-120RESDIYB** INSTANT START BALLAST
34. **GE-232-120RESDIYB** INSTANT START BALLAST
35. **GE-332-120RESDIYB** INSTANT START BALLAST
36. **GE-432-120RESDIYB** INSTANT START BALLAST
37. **GE330RES120-DIYB** RAPID START BALLAST
38. **GE330RSMVNDIYB** RAPID START BALLAST
39. **GE-132-120RES-DIY** INSTANT START BALLAST
40. **GE-232-120RES-DIY** INSTANT START BALLAST
41. **GE-332-120RES-DIY** INSTANT START BALLAST
42. **GE-432-120RES-DIY** INSTANT START BALLAST
43. **GE330RS120-DIY** RAPID START BALLAST
44. **GEM220T5120/2-DIY** RAPID START BALLAST
45. **GE-132MV-N-DIY** INSTANT START BALLAST
46. **GE-232MV-N-DIY** INSTANT START BALLAST
47. **GE-332MV-N-DIY** INSTANT START BALLAST
48. **GE-432MV-N-DIY** INSTANT START BALLAST
49. **GE-259MV-N-DIY** INSTANT START BALLAST
50. **GE-232-MVP5-N** RAPID START BALLAST
51. **GE-132-MV-N** INSTANT START BALLAST
52. **GE-232-MV-N** INSTANT START BALLAST
53. **GE-332-MV-N** INSTANT START BALLAST
54. **GE-432-MV-N** INSTANT START BALLAST
55. **GEM1FC1679RS120/2** RAPID START BALLAST
56. **MAGNETEK-200-H2** PREHEAT START BALLAST
57. **GE-232MAXP-L/ULTRA** INSTANT START BALLAST
58. **GEM120TC120/2-DIY** RAPID START BALLAST
59. **GE-330-R5-MV-N-DIY** RAPID START BALLAST
60. **GE260IS-MV-N** INSTANT START BALLAST
61. **446-LR-TC-P** MAGNETIC RAPID START BALLAST

PHILIPS:

62. **ICN-2528** PROGRAM START BALLAST
63. **ICN-2528-N** PROGRAM START BALLAST
64. **ICN-2M32-MC** INSTANT START BALLAST
65. **ICN-1P32-N** INSTANT START BALLAST
66. **ICN-2P32-N** INSTANT START BALLAST
67. **ICN-3P32-N** INSTANT START BALLAST
68. **ICN-4P32-N** INSTANT START BALLAST
69. **ICN-1540-N** RAPID START BALLAST
70. **ICN-2540-N** RAPID START BALLAST
71. **ICN-3540-N** RAPID START BALLAST
72. **ICN-4540-N** RAPID START BALLAST
73. **REB-1P32-SC** INSTANT START BALLAST
74. **REB-2P32-SC** INSTANT START BALLAST
75. **REB-3P32-SC** INSTANT START BALLAST
76. **REB-4P32-SC** INSTANT START BALLAST
77. **RELB-1540-N** RAPID START BALLAST
78. **RELB-2540-N** RAPID START BALLAST
79. **RELB-3540-N** RAPID START BALLAST
80. **RELB-4540-N** RAPID START BALLAST
81. **IOP-1P5P32-SC** PROGRAM START BALLAST
82. **IOP-2P5P32-SC** PROGRAM START BALLAST
83. **IOP-3P5P32-SC** PROGRAM START BALLAST
84. **IOP-4P5P32-SC** PROGRAM START BALLAST
85. **IOP-1P5P32-HL-SC** PROGRAM START BALLAST
86. **IOP-2P5P32-HL-SC** PROGRAM START BALLAST
87. **IOP-3P5P32-HL-SC** PROGRAM START BALLAST
88. **IOP-4P5P32-HL-SC** PROGRAM START BALLAST

89. **IOP-1P5P32-LW-N** PROGRAM START BALLAST
90. **IOP-2P5P32-LW-N** PROGRAM START BALLAST
91. **IOP-3P5P32-LW-N** PROGRAM START BALLAST
92. **IOP-4P5P32-LW-N** PROGRAM START BALLAST
93. **IOP-2P32-N** INSTANT START BALLAST
94. **IOPA-1P32-N** INSTANT START BALLAST
95. **IOPA-2P32-N** INSTANT START BALLAST
96. **IOPA-3P32-N** INSTANT START BALLAST
97. **IOPA-4P32-N** INSTANT START BALLAST
98. **IOPA-1P32-LM-N** INSTANT START BALLAST
99. **IOPA-2P32-LM-N** INSTANT START BALLAST
100. **IOPA-3P32-LM-N** INSTANT START BALLAST
101. **IOPA-4P32-LM-N** INSTANT START BALLAST
102. **GOPA-1P32-SC** INSTANT START BALLAST
103. **GOPA-2P32-SC** INSTANT START BALLAST
104. **GOPA-3P32-SC** INSTANT START BALLAST
105. **GOPA-4P32-SC** INSTANT START BALLAST
106. **RLQS-122-TP-W** RAPID START BALLAST
107. **RLQ-120-TP** RAPID START BALLAST

SYLVANIA:

108. **QHE1×32T8/UNV ISL-SC** INSTANT START BALLAST
109. **QHE2×32T8/UNV ISL-SC** INSTANT START BALLAST
110. **QHE3×32T8/UNV ISL-SC** INSTANT START BALLAST
111. **QHE4×32T8/UNV ISH-SC** INSTANT START BALLAST
112. **QHE1×32T8/UNV ISN-SC** INSTANT START BALLAST
113. **QHE2×32T8/UNV ISN-SC** INSTANT START BALLAST
114. **QHE3×32T8/UNV ISN-SC** INSTANT START BALLAST
115. **QHE4×32T8/UNV ISN-SC** INSTANT START BALLAST
116. **QHE1×32T8/UNV ISH-SC** INSTANT START BALLAST
117. **QHE2×32T8/UNV ISH-SC** INSTANT START BALLAST
118. **QHE3×32T8/UNV ISH-SC** INSTANT START BALLAST
119. **QHE4×32T8/UNV ISH-SC** INSTANT START BALLAST
120. **QHE1×32T8/UNV ISL-SC-1** INSTANT START BALLAST
121. **QHE2×32T8/UNV ISL-SC-1** INSTANT START BALLAST
122. **QHE3×32T8/UNV ISL-SC-1** INSTANT START BALLAST
123. **QHE4×32T8/UNV ISL-SC-1** INSTANT START BALLAST
124. **QHE1×32T8/UNV ISN-SC-1** INSTANT START BALLAST
125. **QHE2×32T8/UNV ISN-SC-1** INSTANT START BALLAST
126. **QHE3×32T8/UNV ISN-SC-1** INSTANT START BALLAST
127. **QHE4×32T8/UNV ISN-SC-1** INSTANT START BALLAST
128. **QHE1×32T8/UNV ISH-SC-1** INSTANT START BALLAST
129. **QHE2×32T8/UNV ISH-SC-1** INSTANT START BALLAST
125. **QHE3×32T8/UNV ISH-SC-1** INSTANT START BALLAST
131. **QHE4×32T8/UNV ISH-SC-1** INSTANT START BALLAST
132. **QTP1×32T8/UNV PSN-SC** PROGRAM START BALLAST
133. **QTP2×32T8/UNV PSN-SC** PROGRAM START BALLAST
134. **QTP3×32T8/UNV PSN-SC** PROGRAM START BALLAST
135. **QTP4×32T8/UNV PSN-SC** PROGRAM START BALLAST
136. **QHE1×32T8/UNVV PSN-MC** PROGRAM START BALLAST
137. **QHE2×32T8/UNV PSN-MC** PROGRAM RAPID START BALLAST
138. **QHE3×32T8/UNV PSN-MC** PROGRAM RAPID START BALLAST
139. **QHE4×32T8/UNV PSN-MC** PROGRAM RAPID START BALLAST
140. **QHE1×32T8/347 ISL-SC** INSTANT START BALLAST
141. **QHE2×32T8/347 ISL-SC** INSTANT START BALLAST
142. **QHE3×32T8/347 ISL-SC** INSTANT START BALLAST
143. **QHE4×32T8/347 ISL-SC** INSTANT START BALLAST
144. **QHE1×32T8/347 ISN-SC** INSTANT START BALLAST
145. **QHE2×32T8/347 ISN-SC** INSTANT START BALLAST
146. **QHE3×32T8/347 ISN-SC** INSTANT START BALLAST
147. **QHE4×32T8/347 ISN-SC** INSTANT START BALLAST
148. **QHE1×32T8/347 ISH-SC** INSTANT START BALLAST
149. **QHE2×32T8/347 ISH-SC** INSTANT START BALLAST
150. **QHE3×32T8/347 ISH-SC** INSTANT START BALLAST
151. **QHE4×32T8/347 ISH-SC** INSTANT START BALLAST
152. **QTP1×32T8/UNV ISL-SC** INSTANT START BALLAST
153. **QTP2×32T8/UNV ISL-SC** INSTANT START BALLAST
154. **QTP3×32T8/UNV ISL-SC** INSTANT START BALLAST
155. **QTP4×32T8/UNV ISL-SC** INSTANT START BALLAST
156. **QTP1×32T8/UNV ISN-SC** INSTANT START BALLAST
157. **QTP2×32T8/UNV ISN-SC** INSTANT START BALLAST
158. **QTP3×32T8/UNV ISN-SC** INSTANT START BALLAST
159. **QTP4×32T8/UNV ISN-SC** INSTANT START BALLAST
160. **QTP1×32T8/UNV ISH-SC** INSTANT START BALLAST
161. **QTP2×32T8/UNV ISH-SC** INSTANT START BALLAST
162. **QTP3×32T8/UNV ISH-SC** INSTANT START BALLAST
163. **QTP4×32T8/UNV ISH-SC** INSTANT START BALLAST
164. **QHE1×59T8/UNV ISL-SC** INSTANT START BALLAST
165. **QHE2×59T8/UNV ISL-SC** INSTANT START BALLAST
166. **QHE3×59T8/UNV ISL-SC** INSTANT START BALLAST
167. **QHE4×59T8/UNV ISL-SC** INSTANT START BALLAST
168. **QHE1×59T8/UNV ISN-SC** INSTANT START BALLAST
169. **QHE2×59T8/UNV ISN-SC** INSTANT START BALLAST
170. **QHE3×59T8/UNV ISN-SC** INSTANT START BALLAST
171. **QHE4×59T8/UNV ISN-SC** INSTANT START BALLAST
172. **QHE1×59T8/UNV ISH-SC** INSTANT START BALLAST
172. **QHE2×59T8/UNV ISH-SC** INSTANT START BALLAST
174. **QHE3×59T8/UNV ISH-SC** INSTANT START BALLAST
175. **QHE4×59T8/UNV ISH-SC** INSTANT START BALLAST

SUNPARK:

176. **U-1/32PSE** RAPID START BALLAST
177. **U-2/32PSE** RAPID START BALLAST
178. **U-3/32PSE** RAPID START BALLAST
179. **U-1/32ISE** INSTANT START BALLAST
180. **U-2/32ISE** INSTANT START BALLAST
181. **U-3/32ISE** INSTANT START BALLAST
182. **U-1/32ISE-HBF** INSTANT START BALLAST
183. **U-2/32ISE-HBF** INSTANT START BALLAST
184. **U-1/32ISE-LBF** INSTANT START BALLAST
185. **U-2/32ISE-LBF** INSTANT START BALLAST
186. **SL15T** RAPID START BALLAST
187. **U-132P53-HBF** PROGRAM START BALLAST
188. **U-232P53** PROGRAM START BALLAST

ROBERTSON:

189. **ISU232T8120** INSTANT START BALLAST
190. **RN320P RAPID** START BALLAST
191. **SS2P** PREHEAT SELF START BALLAST
192. **HP51P** PREHEAT START BALLAST
193. **L15A** SIMPLE REACTANCE BALLAST
194. **SP258** SIMPLE REACTANCE BALLAST
195. **O1527P** SIMPLE REACTANCE BALLAST
196. **PSA124T5MV** PROGRAM START BALLAST

STERIL-AIRE:

197. **10000175** RAPID START BALLAST

TRIAD:

198. **B232IUNVEL-A** INSTANT START BALLAST
199. **B232IUNVHP-B** INSTANT START BALLAST
200. **B232IUNVHP-N** INSTANT START BALLAST
201. **B2345R120M-A** RAPID START BALLAST

HI:

202. **EPH2/32IS/MV/MC/HE** INSTANT START BALLAST
203. **E2/40RS-120MC** RAPID START BALLAST

KEYSTONE:

204. **KTEB-2C72-1-TP** RAPID START BALLAST
205. **KTEB-220-1-TP-EMI /C** RAPID START BALLAST
206. **330TPES** RAPID START BALLAST

ESPEN:

207. **VE232MVHIPLE** INSTANT START BALLAST
208. **VE259120HIP** INSTANT START BALLAST

PROLUME:

209. **EP232I5L/MV/SL** INSTANT START BALLAST

RADIONIC:

210. **E232H12** INSTANT START BALLAST

WORKHORSE:

211. **WH3-120-** INSTANT START BALLAST
212. **WHCG2-120-T8** INSTANT START BALLAST

SUPERIOR LIFE:

213. **70201** INSTANT START BALLAST

PRO STANDARD:

214. **GI22540-TP** RAPID START BALLAST