



COMBINED FAMILY SPECIFICATION

## **THINTEK™ WRR**

Field Selectable Recessed Mount Round Baffled Downlight

---

**ThinTek™ WRR - 120V Baffled Downlight**

**ThinTek™ WRR - 120-347V Baffled Downlight**



120VAC/Triac Dimming

## ThinTek™ Wafer RR

## Direct Mount Recessed

### DESCRIPTION

The Thintek™ Wafer series is a versatile and efficient solution for commercial and residential spaces, that can be installed in shallow plenum areas with as little as two inches of ceiling space. Thintek™ Wafer is IC-rated with a thermally protected driver box, which can be installed in a wide variety of ceilings and joists with ease. The CCT selection switch allows for a selection between 2700K, 3000K, 3500K, 4000K, and 5000K. With Title 24 certification, 90 CRI, and a variety of sizes, shapes, and lumen packages, the ThinTek™ Wafer provides increased functionality, reliable performance, and a fast, simple installation process.

### APPLICATIONS

Residential, Institution, Hospitality, Retail, Offices, Schools, Hospitals, Airports and Hallways.

### FEATURES

#### Construction

Die-cast aluminum housing and PC lens.  
Air-tight IC Rated.

#### Optical System

Glare controlling lens for comfortable light distribution.  
Provides a 110° beam angle.

#### Warranty

5 year warranty.  
See warranty documentation for more information.

#### Electrical

Input voltage: 120VAC, 60Hz  
25W High Voltage Emergency Battery Backup option available.  
12" Power Cable (Standard): Extension Cable option available in 3' or 10'.

#### Installation/ Mounting

Recessed Mounting with adjustable spring loaded retention tabs for secure fixture.  
New Construction Kit (4", 6", 8") and New Construction Kit with Hanger Bar (3", 4", 6") Option Available.

#### Controls/Dimming

Triac Dimming (Dims to 10%) See page 3 (Dimmer Compatibility List)  
Tunable White between 2700K, 3000K, 3500K 4000K, 5000K.



### ThinTek™ Wafer RR

- 3", 8W (500 lm)
- 4", 10W (650 lm)
- 4", 12W (850 lm)
- 6", 12W (900 lm)
- 6", 15W (1100 lm)
- 8", 18W (1500 lm)

Projected L70: 50,000+ hours  
Warranty: 5 Years  
Phase/TRIAC Dimming (10%)



TITLE 24 Compliant



90+ CRI



Wet Location Rated



Tunable White



Air Tight



Phase/TRIAC Dimming Dims to 10%



Adjustable Spring Loaded Retention Tabs For Canless Installation



Tunable White

## Ordering Information

### EXAMPLE: TWRR-0308-C-S

Series	Size/Wattage	CCT Switchable	Input Voltage/Control
TWRR	0308 - 3"/8W 0410 - 4"/10W 0412 - 4"/12W 0612 - 6"/12W 0615 - 6"/15W 0818 - 8"/18W	C - 2700K/3000K/3500K/4000K/5000K	S - 120VAC/Triac Dimming
		New Construction Kit TWR-NC (For 4", 6", 8")	New Construction Kit W/ Hanger Bar TWR-NCH (For 3", 4", 6")
			Accessories TW-EC03 (3' Extension Cable) TW-EC10 (10' Extension Cable) 90025-H (25W High Voltage Emergency Battery Backup)

Specifications and Dimensions subject to change without notice.

\*MOQ and longer lead times may apply, please contact customer service for more information.

Accessories are purchased separately.

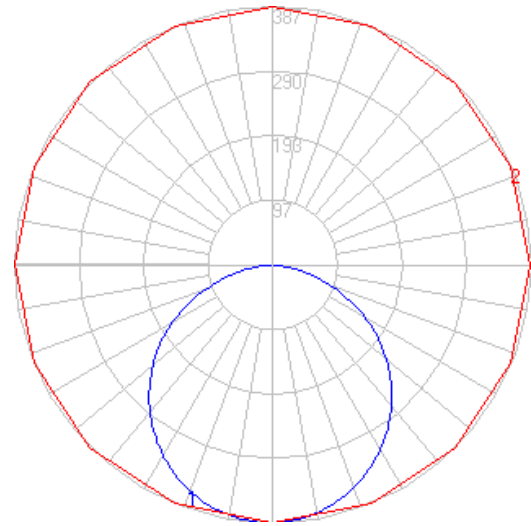
## Performance Information

Input Voltage	120VAC
Input Frequency	60Hz
Wattage	See Performance Table
Delivered Lumens	See Performance Table
Efficacy	See Performance Table
CRI	>90
Available CCT	2700K, 3000K, 3500K, 4000K, 5000K
Projected L70	50,000+ hours
Power Factor	>0.9
THD	<20%
Dimming	Triac /Phase Dimming (Compatible Dimmer List Available)
Operating Temp.	-4°~104°F

## Photometric Data

6" 15W

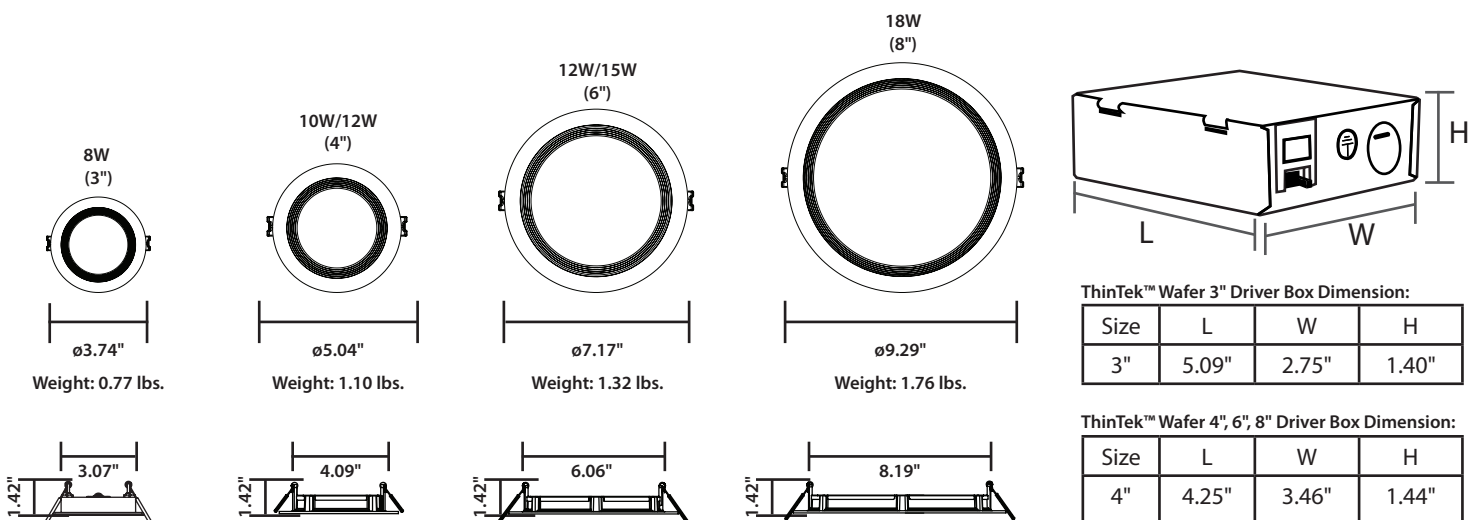
\* IESNA LM-63 IES Available



## Performance Table

SKU	Size (in)	Wattage (W)	5000K	
			Delivered Lumens (lm)	Efficacy (lm/W)
TWRR-0308-C-S	3	8	500	63
TWRR-0410-C-S	4	10	650	65
TWRR-0412-C-S	4	12	850	71
TWRR-0615-C-S	6	12	900	75
TWRR-0615-C-S	6	15	1100	73
TWRR-0818-C-S	8	18	1500	83

## Product Dimensions



## Installation Kits and Accessories



**4", 6", 8"**  
**New Construction Kit**  
 (Option)  
 [TWR-NC]



**3", 4", 6"**  
**New Construction Kit**  
**With Hanger Bar**  
 (Option)  
 [TWR-NCH]



**3' or 10'**  
**Extension Cable**  
 (Option)  
 [TW-EC03, TW-EC10]



**High Voltage**  
**Emergency Backup**  
**25W**  
 (Option)  
 [90025-H]

## Dimmer Compatibility List

Recommended dimmers

Lutron	Leviton	EATON
DVCL-153PR-WH	R62-06674-P0W	SAL06P-LA-K
CTCL-153PDH-WH	R12-06672-1LW	
TGCL-153PH-WH	R50-IPL06-10M	
MACL-153MH-WH		
P-PKG1W-WH-R		



## ThinTek™ Wafer RR

## Direct Mount Recessed

### DESCRIPTION

The Thintek™ Wafer series is a versatile and efficient solution for commercial and residential spaces, that can be installed in shallow plenum areas with as little as two inches of ceiling space. Thintek™ Wafer is IC-rated with a thermally protected driver box, which can be installed in a wide variety of ceilings and joists with ease. The CCT selection switch allows for a selection between 2700K, 3000K, 3500K, 4000K, and 5000K. With Title 24 certification, 90 CRI, and a variety of sizes, shapes, and lumen packages, the ThinTek™ Wafer provides increased functionality, reliable performance, and a fast, simple installation process.

### APPLICATIONS

Residential, Institution, Hospitality, Retail, Offices, Schools, Hospitals, Airports and Hallways.

### FEATURES

#### Construction

Die-cast aluminum housing and PC lens.  
Air-tight IC Rated.

#### Optical System

Glare controlling lens for comfortable light distribution.  
Provides a 110° beam angle.

#### Warranty

5 year warranty.  
See warranty documentation for more information.



#### Electrical

Input voltage: 120~347VAC, 60Hz  
25W High Voltage Emergency Battery Backup option available.  
12" Power Cable (Standard): Extension Cable option available in 3' or 10'.

#### Installation/ Mounting

Recessed Mounting with adjustable spring loaded retention tabs for secure fixture.  
New Construction Kit (4", 6", 8) and New Construction Kit with Hanger Bar (3", 4", 6") Option Available.

#### Controls/Dimming

0-10V Dimming (Dims to 10%)  
Tunable White between 2700K, 3000K, 3500K 4000K, 5000K.



### 120~347VAC/0-10V Dimming

#### ThinTek™ Wafer RR

- 3", 8W (500 lm)
- 4", 10W (650 lm)
- 4", 12W (850 lm)
- 6", 12W (900 lm)
- 6", 15W (1100 lm)
- 8", 18W (1500 lm)

Projected L70: 50,000+ hours  
Warranty: 5 Years  
0-10V Dimming (10%)



TITLE 24 Compliant



90+ CRI



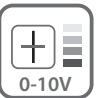
Wet Location Rated



Tunable White



Air Tight



0-10V Dimming Dims to 10%

## Ordering Information

### EXAMPLE: TWRR-0308-C-U

Series	Size/Wattage	CCT Switchable	Input Voltage/Control
TWRR - ThinTek Wafer Round Regressed	0308 - 3"/8W 0410 - 4"/10W 0412 - 4"/12W 0612 - 6"/12W 0615 - 6"/15W 0818 - 8"/18W	C - 2700K/3000K/3500K/4000K/5000K	U - 120~347VAC/ 0-10VDimming
		New Construction Kit TWR-NC (For 4" 6", 8")	New Construction Kit W/ Hanger Bar TWR-NCH (For 3", 4", 6")
			Accessories TW-EC03 (3' Extension Cable) TW-EC10 (10' Extension Cable) 90025-H (25W High Voltage Emergency Battery Backup)

Specifications and Dimensions subject to change without notice.

\*MOQ and longer lead times may apply, please contact customer service for more information.

Accessories are purchased separately.

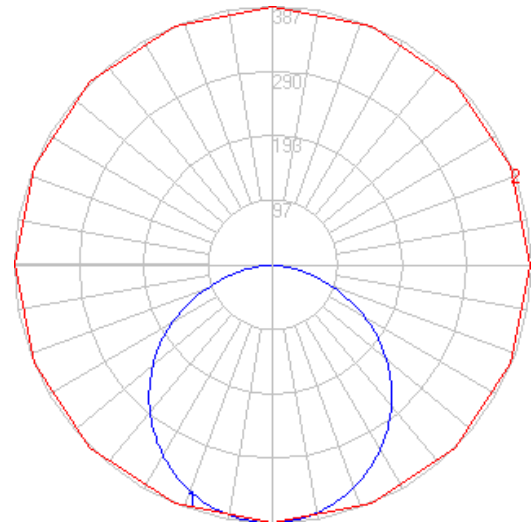
## Performance Information

Input Voltage	120~347VAC
Input Frequency	60Hz
Wattage	See Performance Table
Delivered Lumens	See Performance Table
Efficacy	See Performance Table
CRI	>90
Available CCT	2700K, 3000K, 3500K, 4000K, 5000K
Projected L70	50,000+ hours
Power Factor	>0.9
THD	<20%
Dimming	0-10V Dimming (Dims To 10%)
Operating Temp.	-4°~104°F

## Photometric Data

6" 15W

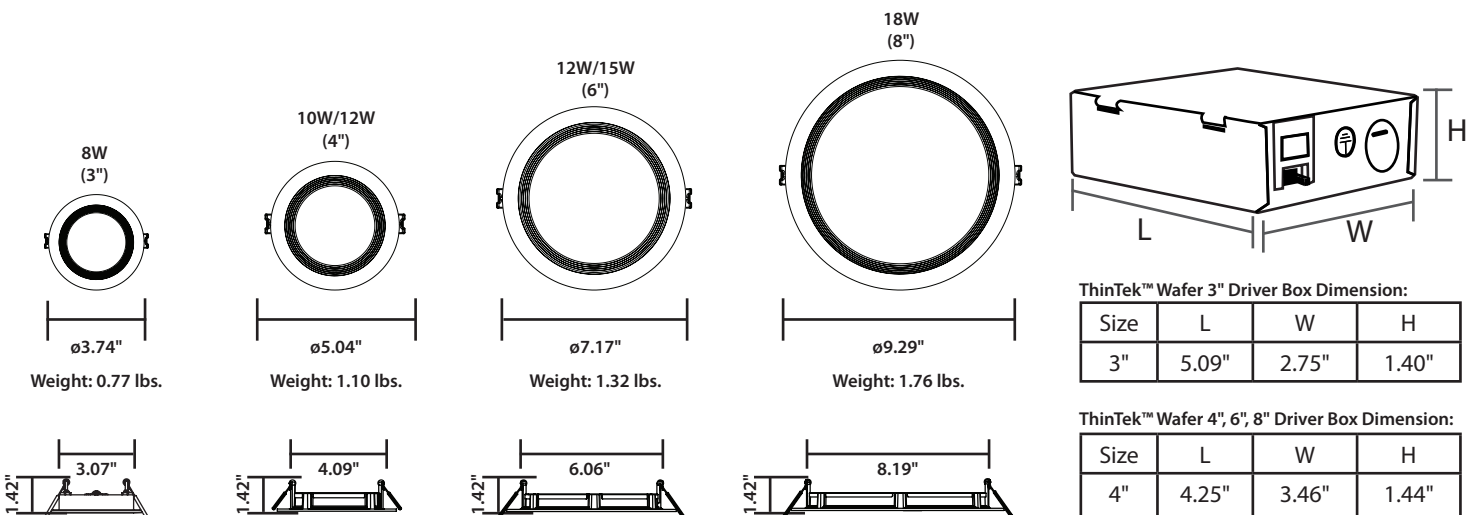
\* IESNA LM-63 IES Available



## Performance Table

SKU	Size (in)	Wattage (W)	5000K	
			Delivered Lumens (lm)	Efficacy (lm/W)
TWRR-0308-C-U	3	8	500	63
TWRR-0410-C-U	4	10	650	65
TWRR-0412-C-U	4	12	850	71
TWRR-0612-C-U	6	12	900	75
TWRR-0615-C-U	6	15	1100	73
TWRR-0818-C-U	8	18	1500	83

## Product Dimensions



Installation Kits and Accessories



**4", 6", 8"**  
**New Construction Kit**  
**(Option)**  
**[TWR-NC]**



**3", 4", 6"**  
**New Construction Kit**  
**With Hanger Bar**  
**(Option)**  
**[TWR-NCH]**



**3' or 10'**  
**Extension Cable**  
**(Option)**  
**[TW-EC03, TW-EC10]**



**High Voltage**  
**Emergency Backup**  
**25W**  
**(Option)**  
**[90025-H]**