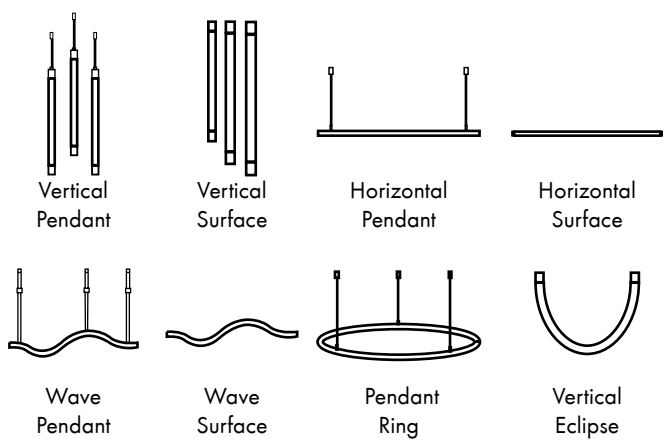


Date:	
Project Name:	
SKU #:	

**LITESTRAND™**  
Decorative Lighting



**MOUNTING OPTIONS**



**Posable**  
\*Rigid fixture capable of holding custom field manipulated shape. Mounting hardware not included.

**APPLICATIONS**

Office, Hospitality, Residential, Commercial

**FEATURES**

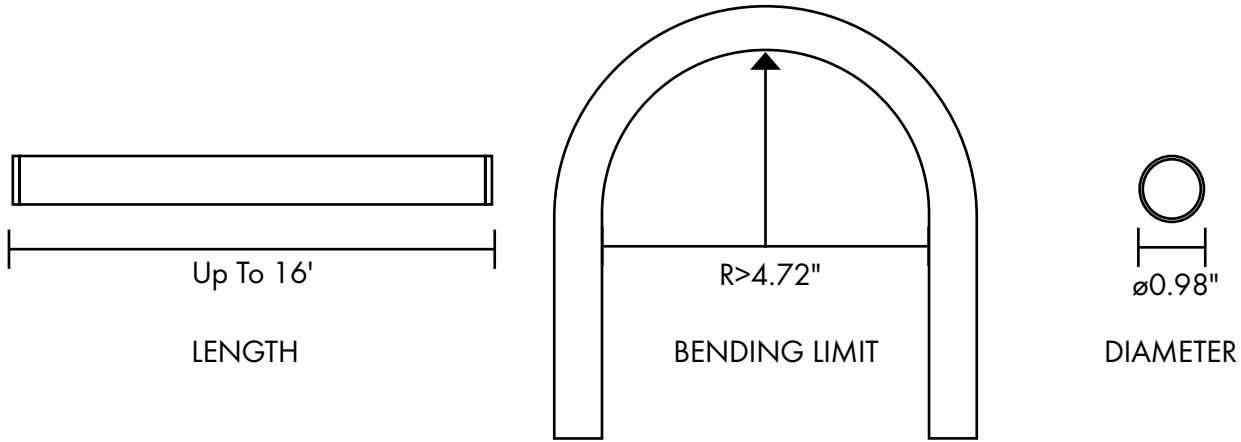
- |  |  |
|--|--|
| <p><b>Construction</b></p> <ul style="list-style-type: none"> <li>- Extrusion molded high transmittance, food-grade environmental silicon material.</li> </ul>   | <p><b>Finish</b></p> <ul style="list-style-type: none"> <li>- White</li> </ul>   |
| <p><b>Electrical &amp; Technical</b></p> <ul style="list-style-type: none"> <li>- Input Voltage: 120 -277V</li> <li>- Input Frequency: 50/60Hz</li> <li>- Projected Life: L70 &gt; 36,000 hrs</li> <li>- PF: &gt;0.9</li> <li>- CRI: 90</li> <li>- THD: &lt;20%</li> <li>- CCT: 2300K,2700K, 3000K, 3500K, 4000K, 5000K</li> <li>- Operating Temp.: -4°F ~ 104°F</li> <li>- IP Rating: IP65 [Indoor Use]</li> <li>- IK Rating: IK08</li> </ul> | <p><b>Optical</b></p> <ul style="list-style-type: none"> <li>- 360° Uniform Illumination</li> </ul>  |
| <p><b>Controls</b></p> <ul style="list-style-type: none"> <li>- 0-10V Dimming</li> </ul>   | <p><b>Installation/Mounting</b></p> <ul style="list-style-type: none"> <li>- Vertical Pendant</li> <li>- Vertical Surface</li> <li>- Vertical Eclipse</li> <li>- Horizontal Pendant</li> <li>- Horizontal Surface</li> <li>- Wave Surface</li> <li>- Wave Suspended</li> </ul> |
| <p><b>Lumen Output</b></p> <ul style="list-style-type: none"> <li>• 2300K: 228 lm</li> <li>• 2700K: 289 lm</li> <li>• 3000K: 289 lm</li> <li>• 3500K: 289 lm</li> <li>• 4000K: 289 lm</li> </ul> <p>[Lumens Per Foot]</p>  | <p><b>Warranty</b></p> <ul style="list-style-type: none"> <li>- 3 Year Warranty</li> </ul>   |



**ORDERING INFORMATION** **EXAMPLE: LS25-02-09-23K-U-D-VP**

Series	Size	Wattage	CCT	Input Voltage	Control	Mounting Options
LS25	02 - 2'	09 - 9W	23 - 2300K	U - 120-277V	D - 0-10V Dimming	VP - Vertical Pendant VS - Vertical Surface HP - Horizontal Pendant HS - Horizontal Surface WP - Wave Pendant WS - Wave Surface PR - Pendant Ring VE - Vertical Eclipse P - Posable
	04 - 4'	18 - 18W	27 - 2700K			
	06 - 6'	27 - 27W	30 - 3000K			
	08 - 8'	36 - 36W	35 - 3500K			
	12 - 12'	54 - 54W	40 - 4000K			
	16 - 16'	72 - 72W				

DIMENSIONS

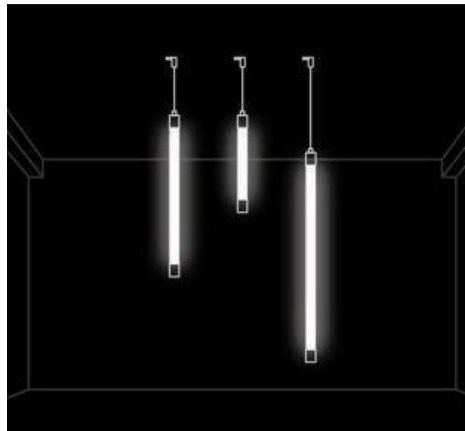


LUMEN OUTPUT

SKU	CCT (K)	Wattage (W/Ft)	Delivered Lumens (lm)	Efficacy (lm/W)
LS25-XX-XX-23K-U-D-XX	2300	4.4	228	51.8
LS25-XX-XX-27K-U-D-XX	2700	4.4	298	65.7
LS25-XX-XX-30K-U-D-XX	3000	4.4	298	65.7
LS25-XX-XX-35K-U-D-XX	3500	4.4	298	65.7
LS25-XX-XX-40K-U-D-XX	4000	4.4	298	65.7

ACCESSORIES

Vertical Pendant

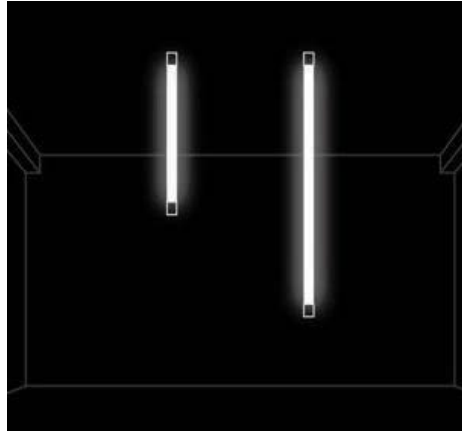


SKU	LS25-VP
Material	Aluminum
EC Length	1.654"
FC Diameter	1.25"
SP Length	2.677"
SP Diameter	1.24"
Internal Diameter	1"
Cable Length	Variable, 6' Max

Polycarbonate sleeve (not pictured) is required for LITESTRAND™ to hang perfectly vertical.

ACCESSORIES (Cont.)

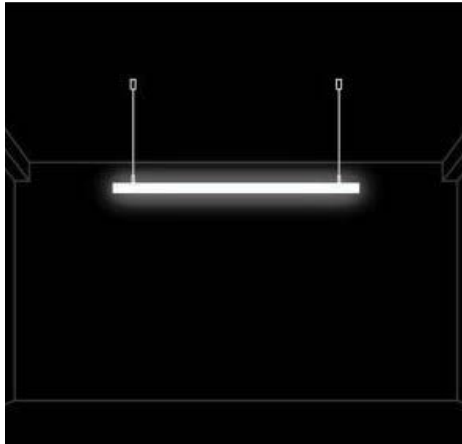
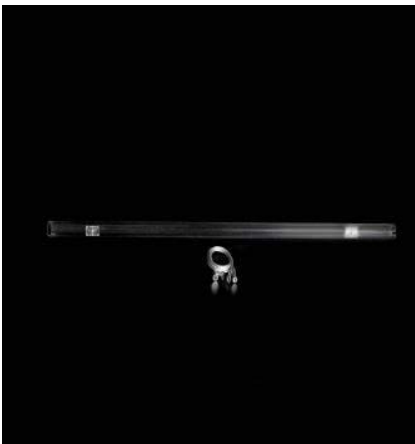
**Vertical Surface**



SKU	LS25-VS
Material	Aluminum
ECLength	1.32"
CMLength	2.677"
CMDiameter	1.654"
InternalDiameter	1.28"

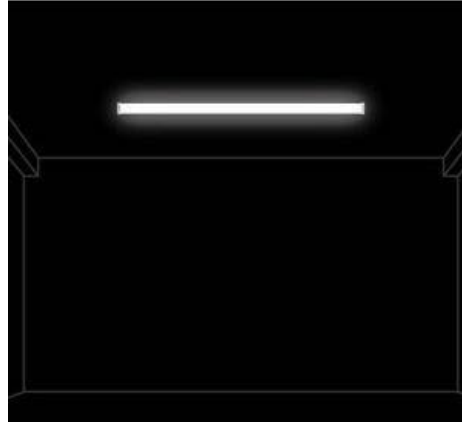
Polycarbonate sleeve (not pictured) is required for LITESTRAND™ to hang perfectly vertical.

**Horizontal Pendant**



SKU	LS25-HP
Material	Clear Polycarbonate
Length	0.984"
Width	2.032"
Height	1.063"
Internal Width	1"

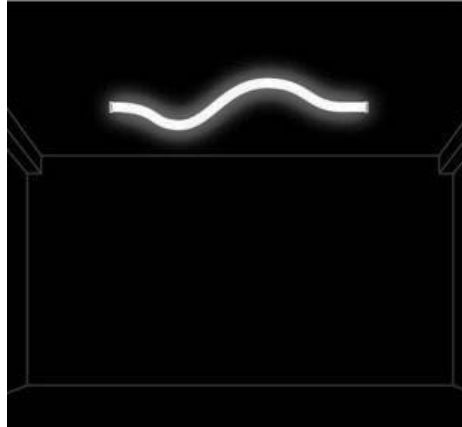
**Horizontal Surface**



SKU	LS25-HS
Material	Clear Polycarbonate
Length	1.43"
Diameter	0.75"
Height	0.27"
EffectiveHeight	0.11"

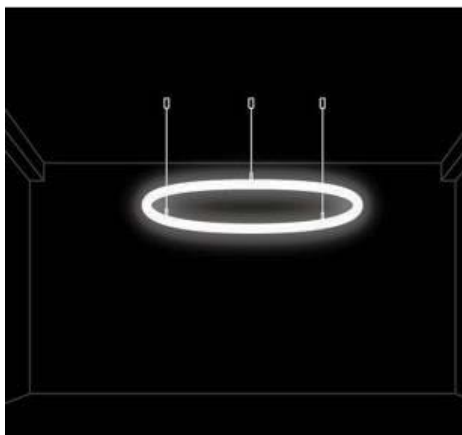
ACCESSORIES (Cont.)

**Wave Surface**



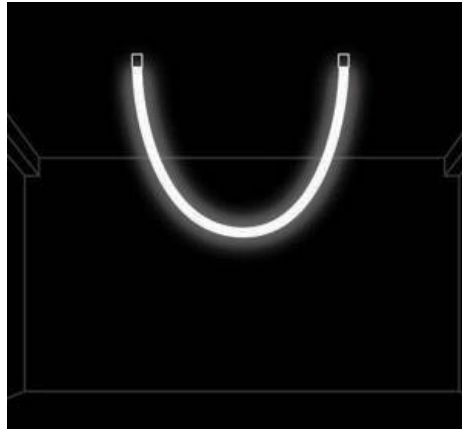
SKU	LS25-WS
Material	Clear Polycarbonate
Length	1.43"
Diameter	0.75"
Height	0.27"
EffectiveHeight	0.11"

**Pendant Ring**



SKU	LS25-PR
Material	Aluminum
Length	1.358"
Diameter	1.22"
InternalDiameter	1.00"

**Horizontal Surface**



SKU	LS25-VE
Material	Aluminum
Length	1.654"
Diameter	1.28"
InternalDiameter	1.00"