

! WARNING

PLEASE READ ALL INSTRUCTIONS BEFORE ATTEMPTING INSTALLATION

- To prevent personal injury or product damage only licensed electricians should attempt to install.
- To avoid electric shock or component damage disconnect power before attempting installation or servicing.
- This product must be installed in accordance with the current National Electric Code (NEC) and all applicable federal, state and local electric codes and safety standards.
- Disconnect product and allow cooling prior to servicing.
- Any alteration or modification of this product is expressly forbidden as it may cause serious personal injury, death, property damage and/or product malfunction.
- To prevent product malfunction and/or electrical shock this product must be properly grounded.

Preparation:

1. Shut off the power at the circuit break.
2. Carefully unpack your new fixture and layout all the parts on a clear area. Note: Do not lose any small parts necessary for installation.

Fig.A

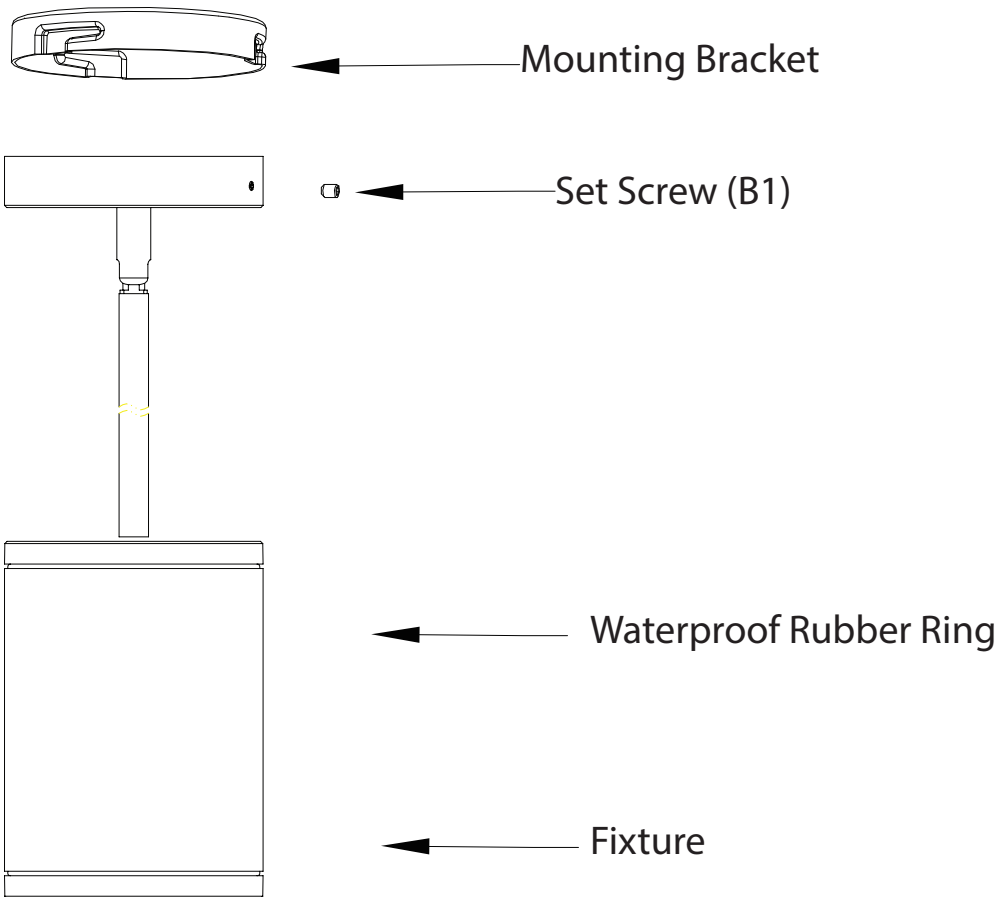


Fig.1

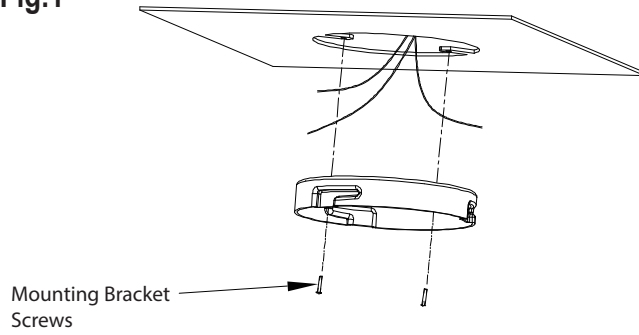


Fig.2

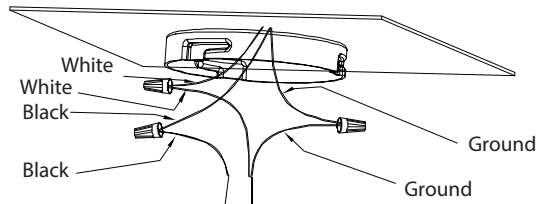


Fig.3

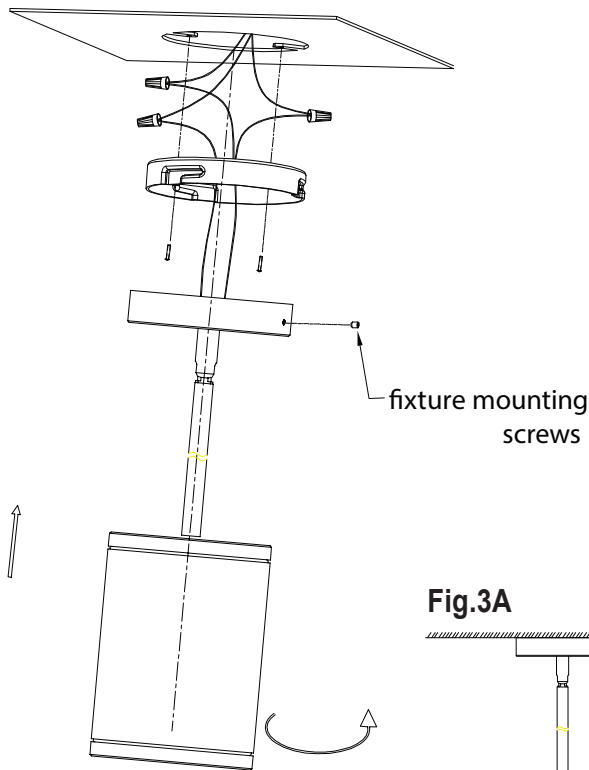


Fig.3A

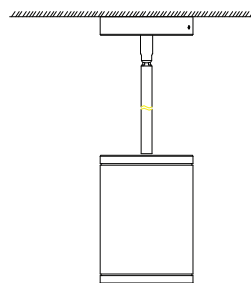
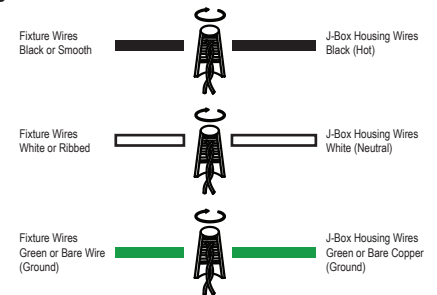


Fig.2A



Mounting The Fixture:

3. Pull the wires from the junction box through the Mounting Bracket.
4. Secure the Mounting Bracket to the junction box by using Mounting Bracket Screws. Fig.1
5. Connect the electrical wires as shown in Fig.2 ensure that all colored liked wires are connected and secure by wire nut (Fig.2).
If junction box has a green or bare copper ground wire, connect all ground wire together. Otherwise, connect the fixture's ground wire directly to the mounting plate using the green screw provided. After wires are connected tuck them carefully inside the junction box.
6. Place the fixture over the mounting bracket and ensure inner the lock tabs (A1) on the fixture align with slots on the mounting bracket, twist the fixture to lock it in place.
7. Use the set screw (B1) provided to secure the fixture in place. (Fig.3)
Ensure the fixture is correctly installed. Completing the Installation (Fig.3A)