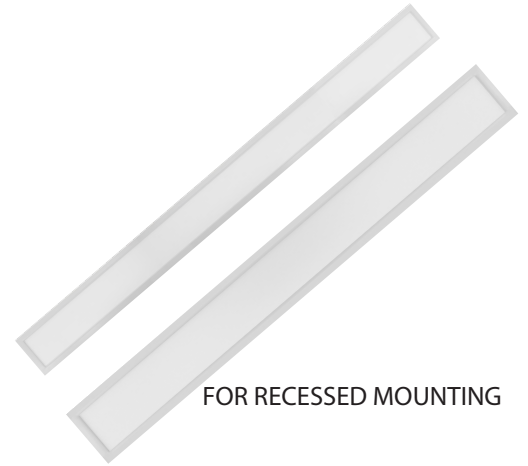


RL4™ Linear Recessed Linear Edgelit Panel



FOR RECESSED MOUNTING

DESCRIPTION

The RL4™ Linear Edgelit panel is the ideal recessed mounted fixture with its ability to be CCT selectable allows full temperature control for a versatile solution in a wide variety of applications. With two aperture sizes and a visual comfort prismatic lens, the RL4™ provides uniform illumination without sacrificing high performance. The RL4™ carries its driver externally while still maintaining thinness. The extruded aluminum frame provides strength and durability, ensuring reliable and consistent performance.

APPLICATIONS

Commercial, Retail, Hospitality, Facilities, Healthcare, Hallways, Schools



RL4™ Linear

4"x48": 40W (3,600 lm)
6"x48": 40W (4,000 lm)

FEATURES

Construction

Extruded aluminum frame for strength and durability, the seamless frame prevents light leak in the corners. Two aperture size available. The acrylic prismatic light guide panel provides excellent shielding and fully illuminated appearance.

Electrical

Input voltage: 120-277VAC
16W Emergency Battery Backup Available.
Bodine Inverter available.

Projected L70: 54,000+ hours
Warranty: 5 Years
Efficacy: Up to 100 LpW
0-10V Dimming

Optical System

120° beam angle with uniformed edge to edge illumination provides excellent ambient lighting.

Installation/ Mounting

RL4™ ideally for recessed mounting earthquake clips included (Standard) or suspended mounting (Optional)



Damp Location Rated



0-10V Dimming

Warranty

5 Year Warranty.
See warranty documentation for more information.

Controls/Dimming

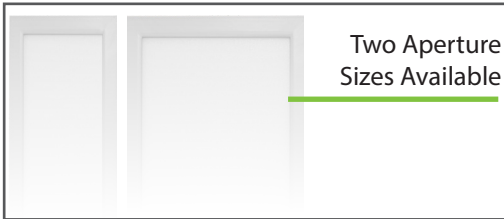
0-10V Dimming (10%)



CCT Switchable



*90+ CRI Option



Two Aperture Sizes Available



Field Selectable CCT Switch



Emergency Driver Option

Ordering Information

EXAMPLE: RL4-4-40-C-U-D-RM

Series	Size	Wattage	CCT Switchable	Input Voltage	Control	Mounting
RL4	4 - 4"x48" 6 - 6"x48"	40 - 40W	C - 3000K/3500K/4000K	U - 120-277VAC	D - 0-10V Dimming	RM - Recessed Mount (Standard)

Accessories/Option

- 885M (Suspended Mount Kit)
- 90016-L (16W Emergency Battery Driver)
- ELIS10CDF (Bodine 10W Inverter)
- 90CRI (Option)

Specifications and Dimensions subject to change without notice.

*MOQ and longer lead times may apply, please contact customer service for more information.

Optional accessories are purchased separately.

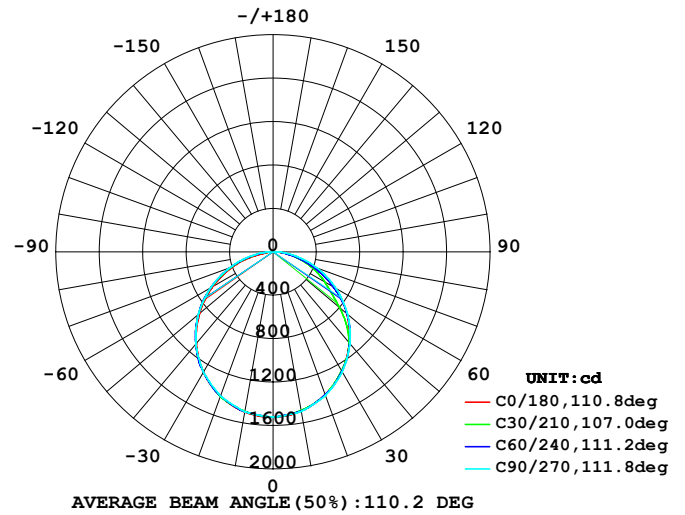
Performance Information

Input Voltage	120-277VAC
Input Frequency	50/60Hz
Wattage	See Performance Table
Delivered Lumens	See Performance Table
Efficacy	See Performance Table
CRI	>80 or (>90+ Optional)
Available CCT	3000K, 3500K, 4000K
Projected L70	54,000+ hours
Power Factor	>0.9
THD	<20%
Dimming	0-10V (10%)
Operating Temp.	-22°~122°F
IP Rating	Damp location rated

Photometric Data

RL4-6-40-C-U-D-RM

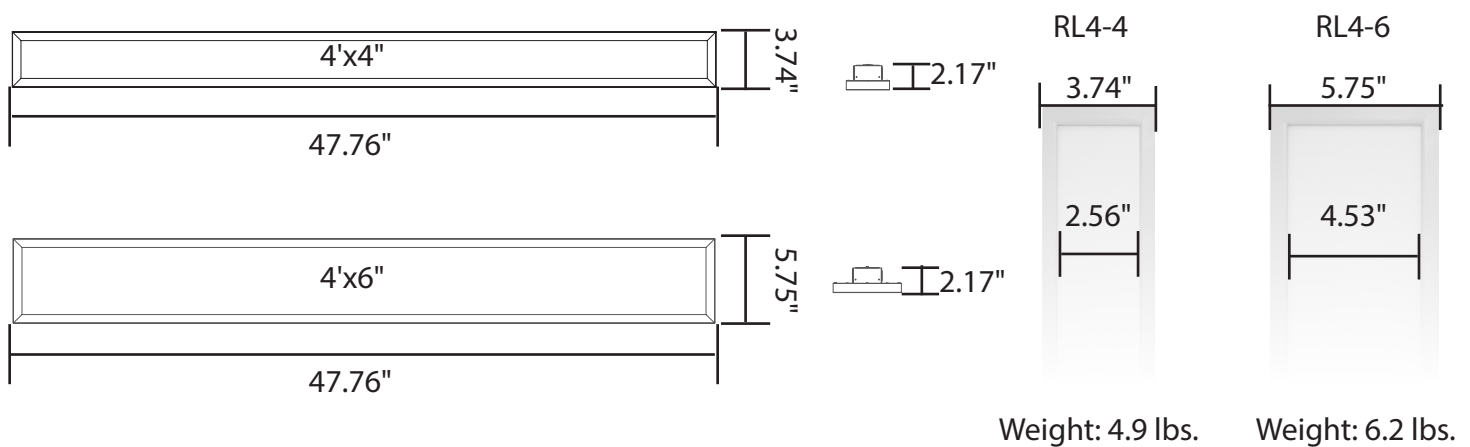
*IES Available Upon Request



Performance Table

SKU	Wattage (W)	4000K	
		Delivered Lumens (lm)	System Efficacy (lm/W)
RL4-4-40-C-U-D	40	3600	90
RL4-6-40-C-U-D	40	4000	100

Product Dimensions



Accessories



Emergency Battery Backup 16W
(Optional)
[90016-L]



Suspended Mount Kit
[88SM]



Bodine Inverter 10W
(Optional)
[ELIS10CDF]