



RWL™ G2 **Cobrahead**

DESCRIPTION

The RWL™ G2 fixture from TGS represents a new performance-based, forward-thinking design for roadway lighting for residential/commercial streets, intersections, and high-speed roadways. Designed for both retrofit and new construction, RWL™ G2 provides multiple lumen packages with field adjustability and distribution options. A Comfort view optic lens is applied to minimize glare and backlight while maximizing luminaire efficacy. RWL™ G2 has tool-less entry providing quick access for installation and maintenance. A variety of control options are available for future upgrades.

APPLICATION

Roadway, Parking Lots, Walkways and General Outdoor Spaces

FEATURES

Construction

Rugged die-cast aluminum housing with universal four-bolt slip fitter, mounts to 1 1/4" to 2 (1-5/8" to 2- 3/8" O.D.) diameter mast arm, meets the 3G vibration per ANSI C136.31-2010. Aluminum housing provides passive heat-sinking for high performance LED engine. Tool-less entry for easy access to internal components.

Durable & corrosion-resistant polyester powder coat finish tested to withstand 500 hours in salt spray exposure per ASTM B117. Finish meets scribe creepage rating 8 per ASTM D1654.

Optical System

Plastic injection mounded precision optical system delivers IENSA TYPE II, III, IV or V distribution.

Warranty

10 Year Warranty.
See warranty documentation for more information.



Electrical

Input voltage: 120-277VAC or 200-480VAC (Optional)
Standard terminal block accommodates 6 to 14 gauge wire.

Standard 10kV/5kA surge protection compliant with:
ANSI C136.2-2015 3-part test.
IEEE/ANSI C62.41 Location Category C High

IP66 rated LED driver has built-in short circuit, voltage overload, and current overload protection with automatic recovery after correction.

Controls

1-10V Dimming
NEMA 3 pin, or 7 pin twist-lock receptacles with shortcap or on/off photocell control available.
Radiant Wireless Control System available.

EPA Rating/Outdoor Rating

EPA (ft²): 0.6 (30W-70W)
EPA (ft²): 0.8 (80W-165W)
Fixture Rating: IP65
Light Engine Rating: IP66
Impact Rating: IK10

RWL™ G2

- 30W (3,900 lm)
- 40W (5,200 lm)
- 50W (6,500 lm)
- 60W (7,800 lm)
- 70W (9,100 lm)
- 80W (10,400lm)
- 90W (11,700 lm)
- 100W (13,000 lm)
- 120W (15,600 lm)
- 135W (17,100 lm)
- 150W (19,500 lm)
- 165W (21,450 lm)

Projected L70: 100,000+ hours
Warranty: 10 Years
System Efficacy: Up To 145 LpW
1-10V Dimming



1-10V Dimming



IP65 Fixture



Dark Sky Friendly
(Zero Uplight/
3000K)



Photocell Option

Ordering Information

EXAMPLE: RWL2-S-40-50-U-D-3-G

Series	Size	Wattage	CCT	Input Voltage	Controls	Distribution	Finish
RWL2	S - Small	30 - 30W 40 - 40W 50 - 50W 60 - 60W 70 - 70W	50 - 5000K 40 - 4000K 30 - 3000K	U - 120-277VAC H - 200-480VAC	D - 1-10V Dimming (Standard) P3P - 3 pin Receptacle with On/Off Photocell P3S - 3 pin Receptacle with Short Cap P7P - 7 pin Receptacle with On/Off Photocell P7S - 7 pin Receptacle with Short Cap D1 - Radiant Wireless Control System	2 - Type II 3 - Type III 4 - Type IV 5 - Type V	G - Gray Finish B - Black Finish DB - Dark Bronze Finish
	M - Medium	80 - 80W 90 - 90W 100 - 100W 120 - 120W 135 - 135W 150 - 150W 165 - 165W					

- Accessories**
- RWL2-FS (Field Adjustable Lumen Switch)
 - RWL2-SP10-FF (Surge Protection 10kV/5kA Fail to off)
 - RWL2-SP20-FO (Surge Protection 20kV/10kA Fail to on)
 - RWL2-SP20-FF (Surge Protection 20kV/10kA Fail to off)
 - RWL2-BLS (Back Light Shield)

Specifications and Dimensions subject to change without notice.

*MOQ and longer lead times may apply, please contact customer service for more information.

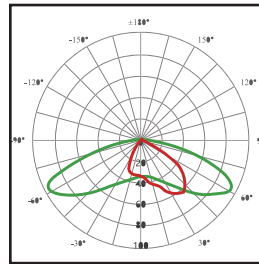
Optional accessories sold separately.

Performance Information

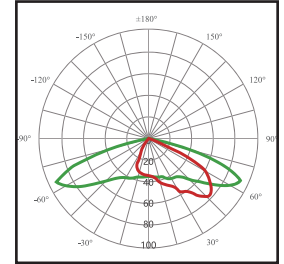
Input Voltage	120-277V, 200-480V (Optional)
Input Frequency	50/60Hz, 60Hz
Wattage	See Performance Table
Delivered Lumens	See Performance Table
Efficacy	See Performance Table
CRI	>70
Available CCT	3000K, 4000K, 5000K
Projected L70	100,000+ hours
Power Factor	>0.90
THD	<20%
Dimming	1-10V Dimming (Isolated Driver)
Operating Temp.	-40°~122°F
IP Rating	IP65 Fixture, IP66 Light Engine

Available IESNA Distribution Type

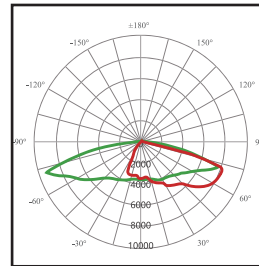
* IESNA LM-63 IES Available



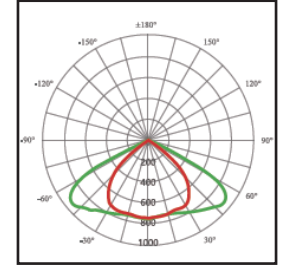
TYPE II



TYPE III



TYPE IV

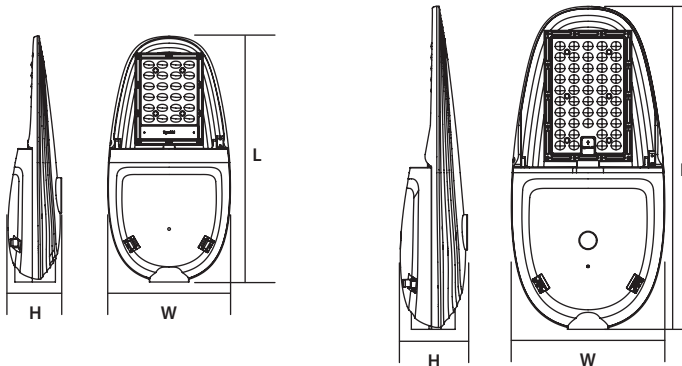


TYPE V

Product Dimensions

40W~70W

80W~150W



Wattage	L	W	H	Weight (lbs)
30~70	17.95"	8.98"	4.61"	6.9
80~165	23.62"	11.22"	5.59"	11.8

Accessories



Ingress Wildlife Guard (Included)



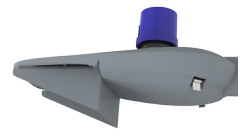
Bubble Level (Included)



Field Adjustable Lumen Switch [RWL2-FS]



3Pin or 7Pin Receptacle & On/Off Photocell [P3P or P7P]



Back Light Shield [RWL2-BLS]

RADIANT™

WIRELESS CONTROL SYSTEM



- Utility grade power monitoring.
- WiFi Mesh Receiver Nodes.
- Communication range is up to 1 mile line of sight.
- Control dimming and On/Off.
- Secure, over-the-air software upgrades.



- Manual/Remote/Web access to Nodes.
- Control up to 1000 Nodes.
- Weather protected.
- Optional, pre-configured 5 button switch to allow for control of all lighting (Central Base Station only).



Central Control Base Station (Optional)

or



SimplySnap Controller



WiFi or LAN Network with browser based control interface



Optional Cloud Control with Verizon 4G LTG

Performance Table

*LM79 & LM80 Available upon request

SKU	Wattage (W)	3000K	
		Delivered Lumens (lm)	Efficacy (lm/W)
RWL2-S-30-30-U-D-X	30	3900	130
RWL2-S-40-30-U-D-X	40	5200	130
RWL2-S-50-30-U-D-X	50	6500	130
RWL2-S-60-30-U-D-X	60	7800	130
RWL2-S-70-30-U-D-X	70	9100	130
RWL2-M-80-30-U-D-X	80	10400	130
RWL2-M-90-30-U-D-X	90	11700	130
RWL2-M-100-30-U-D-X	100	13000	130
RWL2-M-120-30-U-D-X	120	15600	130
RWL2-M-135-30-U-D-X	135	17100	130
RWL2-M-150-30-U-D-X	150	19500	130
RWL2-M-165-30-U-D-X	165	21450	130

Electrical Load

System Wattage (W)	Current (A)					
	120V	208V	240V	277V	347V	480V
	Input Voltage					
30	0.26	0.15	0.13	0.11	0.09	0.07
40	0.35	0.20	0.18	0.15	0.12	0.09
50	0.42	0.25	0.22	0.19	0.15	0.11
60	0.53	0.30	0.26	0.23	0.18	0.13
70	0.61	0.35	0.31	0.27	0.21	0.15
80	0.70	0.40	0.35	0.30	0.24	0.18
90	0.79	0.45	0.39	0.34	0.27	0.20
100	0.88	0.50	0.44	0.38	0.30	0.22
120	1.05	0.61	0.53	0.45	0.36	0.26
135	1.18	0.68	0.59	0.51	0.41	0.30
150	1.31	0.76	0.66	0.57	0.45	0.33
165	1.44	0.83	0.72	0.63	0.50	0.36

Lumen Output

System Wattage (W)	Dist. Type	3000K			
		Lumens	B	U	G
30	II				
	III				
40	II	5946	2	0	2
	III	5900	2	0	2
50	II	7161	2	0	2
	III	6919	2	0	2
60	II	7869	2	0	2
	III	7987	2	0	2
70	II	7987	2	0	2
	III	7987	2	0	2
80	II	10662	3	0	3
	III	11017	3	0	3
90	II	11671	3	0	3
	III	11737	3	0	3
100	II	13205	3	0	3
	III	13198	3	0	3
120	II	14965	3	0	3
	III	15195	3	0	3
135	II	16901	3	0	3
	III	16901	3	0	3
150	II	18744	3	0	3
	III	18494	3	0	3
165	II	20793	3	0	3
	III	20391	3	0	3