

SL4™

Linear Edgelit Panel



DESCRIPTION

The SL4™ Linear Edgelit panel is the ideal surface mounted fixture for a wide variety of applications. With two aperture sizes and a visual comfort prismatic lens, the SL4™ offers uniform illumination without sacrificing high performance. The thin profile driver is integrated inside the fixture, leaving no bulky driver box and creating a simple, easy installation process. The extruded aluminum frame provides strength and durability, ensuring reliable and consistent performance.

APPLICATIONS

Commercial, Retail, Hospitality, Facilities, Healthcare, Hallways, Schools



SL4™
4"x48": 40W (3,400 lm)
6"x48": 40W (3,760 lm)

FEATURES

Construction

Extruded aluminum frame for strength and durability, the seamless frame prevents light leak in the corners. Two aperture sizes available. The acrylic prismatic light guide panel provides excellent shielding and fully illuminated appearance.

Electrical

Input voltage: 100-277VAC
Integrated Driver.
Bodine Inverter available.

Projected L70: 54,000+ hours
Warranty: 5 Years
Efficacy: Up to 94 LpW
0-10V Dimming

Optical System

110° beam angle with uniformed edge to edge illumination provides excellent ambient lighting.

Installation/ Mounting

Thin profile SL4™ ideally for surface mount. (Surface mount bracket included)



Damp Location Rated



0-10V Dimming



Thin Profile



CCT Switchable



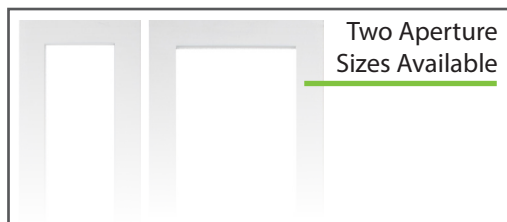
*90+ CRI Option

Warranty

5 Year Warranty.
See warranty documentation for more information.

Controls/Dimming

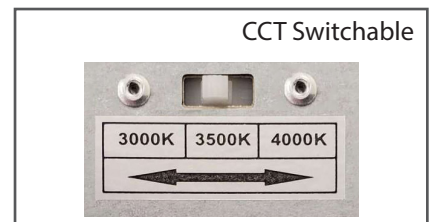
0-10V Dimming (10%).
CCT Switchable between 3000K, 3500K, 4000K.



Two Aperture Sizes Available



Thin Profile Integrated Driver



CCT Switchable

Ordering Information

EXAMPLE: SL4-4-40-C-U-D-SK

Series	Size	Wattage	CCT Switchable	Input Voltage	Control	Mounting	Accessories/Option
SL4	4 - 4"x48" 6 - 6"x48"	40 - 40W	C - 3000K/3500K/4000K	U - 100-277VAC	D - 0-10V Dimming	SK - Surface Mount (Standard)	ELIS10CDF (Bodine 10W Inverter) 90CRI (Option)

Specifications and Dimensions subject to change without notice.

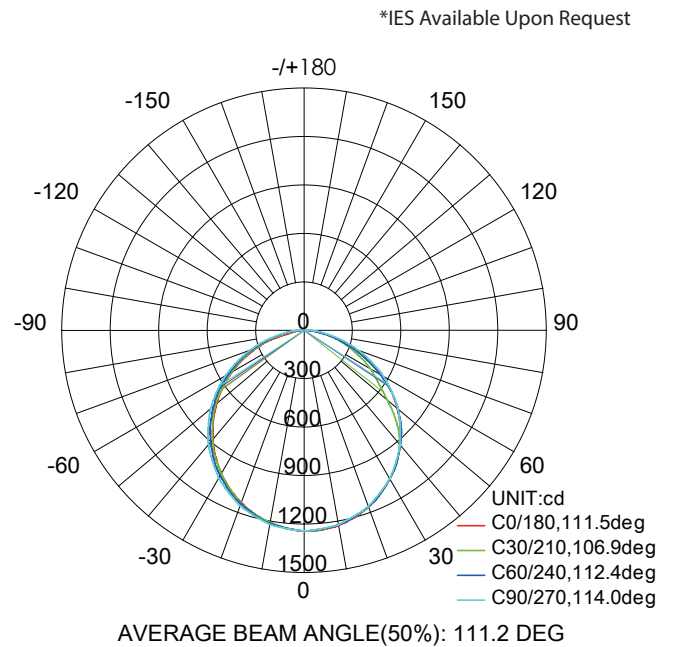
Optional accessories are purchased separately.

*MOQ and longer lead times may apply, please contact customer service for more information.

Performance Information

Input Voltage	100-277VAC
Input Frequency	50/60Hz
Wattage	See Performance Table
Delivered Lumens	See Performance Table
Efficacy	See Performance Table
CRI	>80 or (>90+ Optional)
Available CCT	3000K, 3500K, 4000K
Projected L70	54,000+ hours
Power Factor	>0.9
THD	<20%
Dimming	0-10V (10%)
Operating Temp.	-22°~122°F
IP Rating	Damp Location Rated

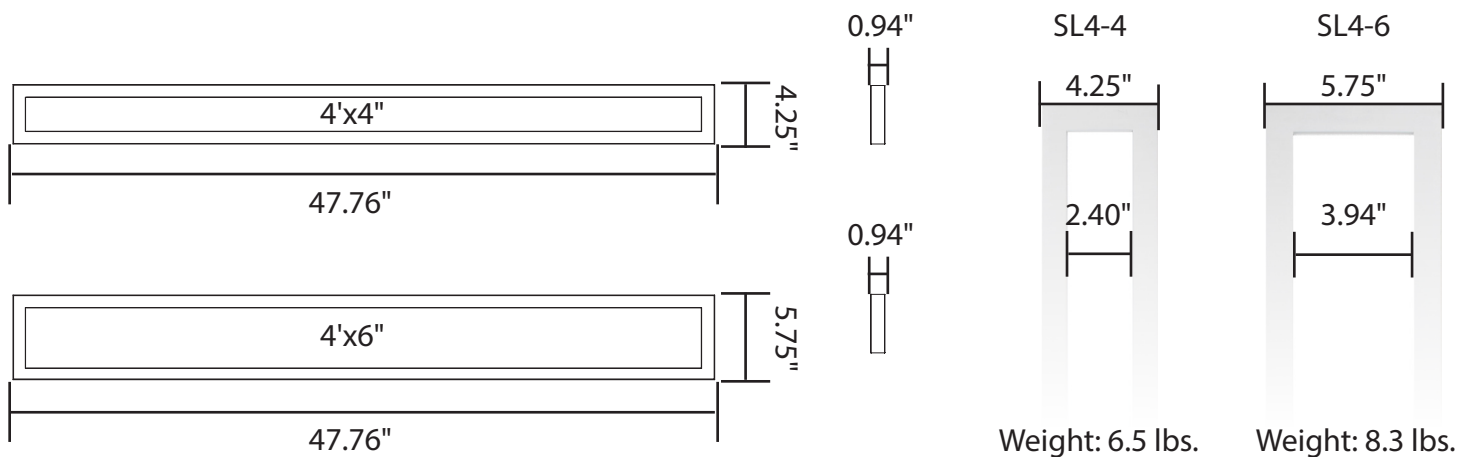
Photometric Data



Performance Table

SKU	Wattage (W)	4000K	
		Delivered Lumens (lm)	System Efficacy (lm/W)
SL4-4-40-C-U-D	40	3400	85
SL4-6-40-C-U-D	40	3760	94

Product Dimensions



Accessories



Surface Mount
(Standard Included)



Bodine Inverter 10W
(Optional)
[ELIS10CDF]