

**CHB-P™ High Power**

**Circular High Bay**



**DESCRIPTION**

The CHB-P™ High Power LED SERIES circular high bay is a cold-forged highly durable construction. It is a high lumen output and efficient LED fixture that provides a robust solution for high ceiling applications. CHB-P™ High Power delivers the highest lumen output performance and quality illumination. It improves warehouse and manufacturing facilities safety and productivity, lower maintenance cost, and reducing operating costs.

**APPLICATIONS**

Commercial, Retail, Institution, Warehouse, High Ceiling Gymnasium and Industrial facility

**FEATURES**



Not all products are qualified on the DLC® QPL. To view our DLC® qualified products, please consult the DLC® Qualified Products List at [www.designlights.org/qpl](http://www.designlights.org/qpl).



**CHB-P™ HP**

400W (54,000 lm)  
500W (67,500 lm)

**Construction**

Rugged, cold-forged 1070 grade aluminum housing with advanced thermal management system ensures reliability and durability.  
IK10: Protected against mechanical impact of 20 joule.  
Available in Black and White Finish.

**Optical System**

Tempered glass lens provides a 120° beam angle.  
Optional PC Optics available in 45° or 90°.  
Optional 70° PC Reflector or 90° Aluminum Reflectors available.

**Warranty**

5 Year Warranty.  
Optional 7/10 Year Warranty Available.  
See warranty documentation for more information.



**Electrical**

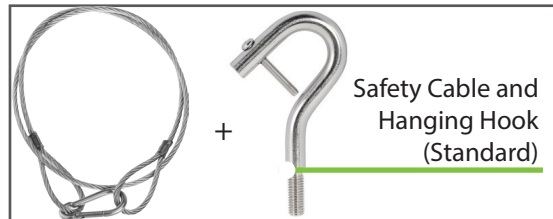
Input voltage: 100-277VAC or 240-480VAC (Optional).  
10kV surge protector included & 20kV surge protector (Optional).  
Emergency battery backup (480V only) option available (Factory Installed).  
6ft [14/3, SOW (600V)/16/3, SJOW 300V] rated power cables included.

**Installation/ Mounting**

Hanging Mount (Standard), Surface Mount Kit, and Pendant Mount Kit (3/4" or 1/2") [Stem not included]

**Controls/Dimming**

1-10V Dimming comes standard.  
Bi-level occupancy/Daylight harvesting sensor option available.



Projected L70: 100,000+ hours  
Warranty: 5 Years  
System Efficacy: 135 LpW  
1-10V Dimming



**Ordering Information**

**EXAMPLE: CHB-P-500W-50K-WD-U-D-B-HM**

Series	Wattage	CCT	Beam Angle	Input Voltage	Dimming	Finish	Mounting Options	Control Options	Emergency Battery
CHB-P	400W 500W	40K - 4000K 50K - 5000K	WD - 120°	U - 100-277VAC H - 240-480VAC	D - 1-10V Dimming	B - Black *W - White	HM - Hanging Mount (Standard) PM - 3/4" Stem Pendant Mount Kit SM - Surface Mount Kit	M - Bi-level Occupancy/Daylight Harvesting Sensor (IP65)	EM - Emergency Battery Backup (16W)

Accessories	Distribution Options
CHB-P-HP-WG-B (Black Wire Guard) CHB-P-HP-WG-W (White Wire Guard) L7-15 (NEMA Twist Lock Plug [120-277V, 15Amp]) L7-20 (NEMA Twist Lock Plug [120-277V, 20Amp]) CHB-P-HP-SP (20kV Surge Protector) SAFETY-SS-10FT (10' Safety Cable)	CHB-P-HP-AM (Alum. 90° Reflector) CHB-P-HP-PN-22 (PC 70° Reflector) CHB-P-HP-LC (PC Reflector Lens Cover) *CHB-P-HP-MD (Medium Distribution - 90°) *CHB-P-HP-ND (Narrow Distribution - 45°)

Specifications and Dimensions subject to change without notice.

Optional accessories and distribution are purchased separately.

\*MOQ and longer lead times may apply, please contact customer service for more information.

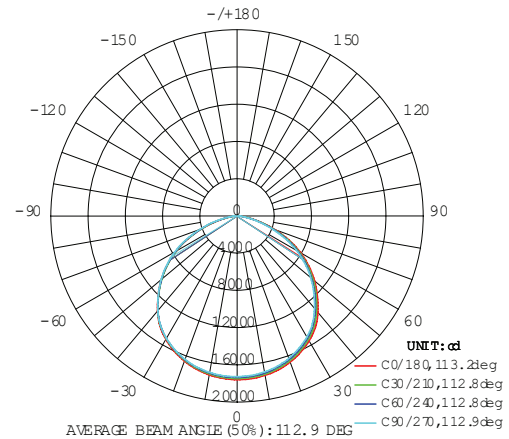
## Performance Information

Input Voltage	100-277VAC, 240-480VAC (Optional)
Input Frequency	50/60Hz
Wattage	See Performance Table
Delivered Lumens	See Performance Table
Efficacy	See Performance Table
CRI	>80
Available CCT	4000K, 5000K
Projected L70	100,000+ hours
Power Factor	>0.9
THD	<20%
Dimming	1-10V
Operating Temp.	-40°~122°F
IP Rating	IP65

## Photometric Data

\* IESNA LM-63 IES Available

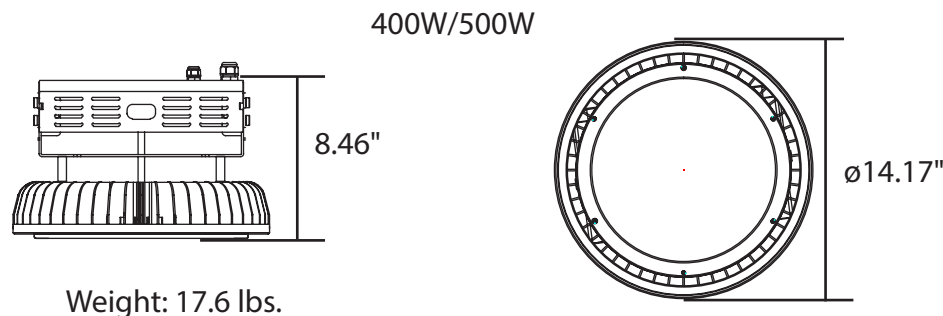
LUMINOUS INTENSITY DISTRIBUTION DIAGRAM



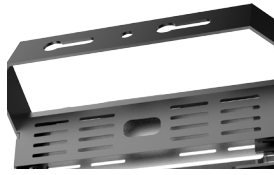
## Performance Table

SKU	Wattage (W)	5000K	
		Delivered Lumens (lm)	Efficacy (lm/W)
CHB-P-400W-50K-WD-U-D-B-HM	400	52000	129
CHB-P-500W-50K-WD-U-D-B-HM	500	66198	130

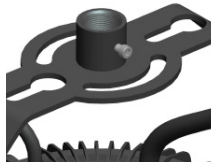
## Product Dimensions



Accessories



Surface Mount Bracket  
[SM]



3/4" Thread  
Pendant Mount  
(Stem Not Included)  
[PM]



Occupancy Motion Sensor  
(IP65)  
[M]



Optical Lens Distribution  
(Available in 90° or 45°)  
[CHB-P-HP-MD or CHP-P-HP-ND]



Wire Guard  
(Black or White Finish)  
(Cannot be used with Reflectors)  
[CHB-P-HP-WG-B, CHB-P-HP-WG-W,]



Aluminum Reflectors  
(Available in 90°)  
[CHB-P-HP-AM]



PC Reflectors 22" Dia.  
(Available in 70°)  
[CHB-P-HP-PN-22]



PC Reflectors Lens Cover  
[CHB-P-HP-LC]



NEMA Twist Lock Plug  
[L7-15 or L7-20]



Emergency Battery  
Backup Driver  
(480V Only & Factory Installed)  
[EM]



10' Safety Cable  
(Optional)  
[SAFETY-SS-10FT]

Control Pre-Commissioning

Default settings are indicated by \*

High-End Trim/ Tuning	Time Delay	Daylight Harvesting	Stand-by Light Level Setting	Stand-by Time Setting
20% - 8' height (48' dia.)	10s	*Light sensor disabled	0%	∞
50% - 20' height (40' dia.)	1min	10lux	*10%	1min
75% - 40' height (60' dia.)	*10min	30lux	30%	30min
*100% - 40' height (100' dia)	15min	50lux	50%	*60min

High-End Trim/Tuning:

Lighting electricity usage can be reduced by 30 percent or more through high-end trim, which sets the maximum light level for each space. High-end trim/tuning sets the appropriate target brightness for each space to the prefer light levels to minimize glare and increase comfort level.

Time Delay:

The light can be set to stay ON for any period of time between approx. 10sec and the maximum of 60 min. Any movement detected before this time elapses will re-start the timer.

Daylight Harvesting:

The chosen light response threshold can be infinitely from approx. 10-50lux.

Standby Light Level:

How much light is dimmed when no motion is detected.

Stand-by Time:

How much time after dimming will the light will shut off. Up to 60 minutes after the light has dimmed the light will shut off.