

ThinTek™ G2 LED Edge Lit Panel

DESCRIPTION

The ThinTek™ G2 Edge Lit LED panel affords an efficient and elegant LED replacement for fluorescent lamps and troffer fixtures in offices, schools, hospitality, healthcare and other commercial and industrial applications. It provides flicker-free, uniform lighting, with a fully-integrated internal driver for quick, easy and safe installation. Designed with high-quality, durable components, the panels can be surface, or recess mounted for a contemporary or traditional look.

APPLICATIONS

Commercial Buildings, Facilities, Retail, Hospitality
Schools

FEATURES

Construction

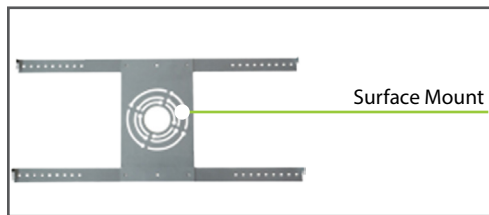
Extruded aluminum frame and stamped aluminum housing with integral earthquake clips

Optical System

PMMA Light Guide Plate that provides uniformed illumination and reduce glare.

Warranty

5 Year Warranty. *See warranty documentation for more information.*



Electrical

Input voltage: 100-277V
Integrated Driver.
12W Emergency Inverter available.
10W Bodine Inverter available:
- UL Listed for field or factory installation and CEC
- Title 20 compliant
- Remote-mounted up to 250'

Installation/ Mounting

Recessed Mounting or Surface Mounting .

Controls/Dimming

0-10V Dimming.
*Step-Dimming Available.



Not all products are qualified on the DLC® QPL. To view our DLC® qualified products, please consult the DLC® Qualified Products List at www.designlights.org/qpl.



ThinTek G2

1'x4': 40W (4,400 lm)
2'x2': 40W (4,400 lm)
2'x4': 40W (4,400 lm)
50W (5,500 lm)

Projected L70: >50,000 hours
Warranty: 5 Years
Efficacy: 110+ LpW
0-10 Dimming



Thin Profile



0-10V Dimming



Damp Location Rated



Step Dimming Optional



*Chicago Plenum Plenum Optional



*90CRI Optional

Ordering Information

EXAMPLE: 882450-50-T-F

Edge lit Series	Size	Wattage	CCT	Series	Diffuser	CRI	Accessories/Mounting Options
88	14 - 1'x4' 22 - 2'x2' 24 - 2'x4'	40 - 40W 50 - 50W	30 - 3000K 35 - 3500K 40 - 4000K 50 - 5000K	T - ThinTek	F - Frosted	80CRI (Standard) *90CRI - Option	RM - Recessed Mount SK -Surface Mount Kit *CP - Chicago Plenum (Recessed Only) ELIS10CDF (Bodine 10W Inverter) WP-CEP-12U-200VPE1 (12W EM Inverter)

*MOQ and longer lead times may apply, please contact customer service for more information.
Specifications and Dimensions subject to change without notice.

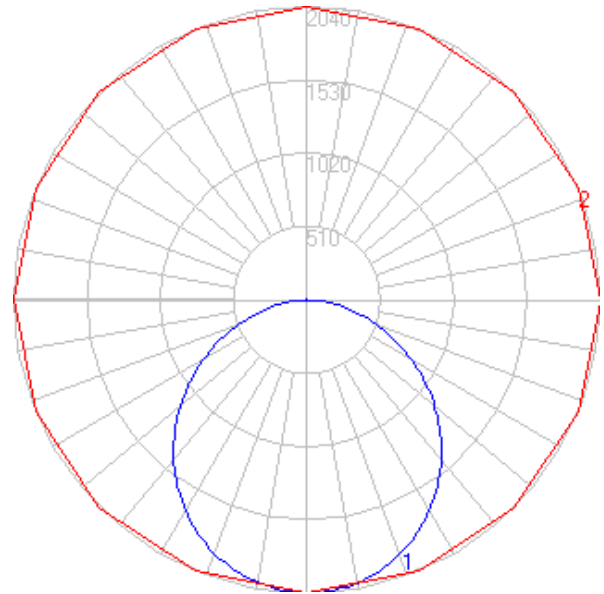
Optional accessories are purchased separately.

Performance Information

Input Voltage	100-277Vac
Input Frequency	50/60Hz
Wattage	See Performance Table
Delivered Lumens	See Performance Table
Efficacy	See Performance Table
CRI	>80 (Standard) or >90 (Optional)
Available CCT	3000K, 3500K, 4000K, 5000K
Projected L70	50,000+ hours
Power Factor	>0.9
THD	<20%
Dimming	0-10V Dimming
Operating Temp.	-4°~122°F
IP Rating	Damp Location Rated

Application

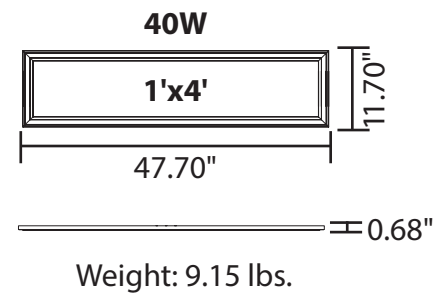
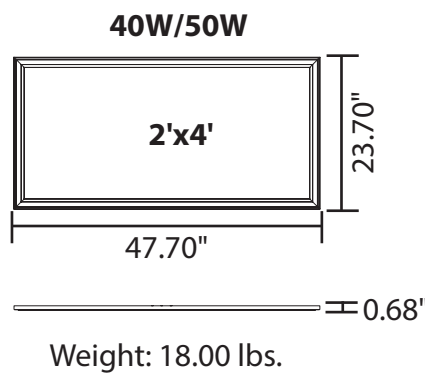
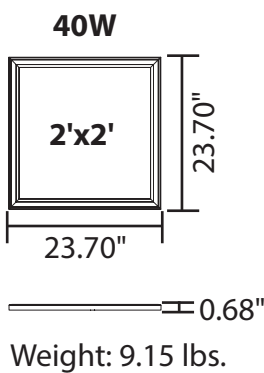
* IESNA LM-63 IES Available



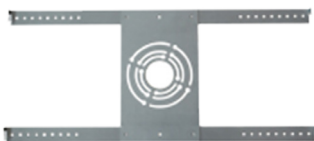
Performance Table

SKU	Wattage (W)	5000K	
		Delivered Lumens (lm)	Efficacy (lm/W)
881440-50-T-F	40	4400	110
882240-50-T-F	40	4400	110
882440-50-T-F	40	4400	110
882450-50-T-F	50	5500	110

Product Dimensions



Accessories



Surface Mount Kit
[8814-SK-T, 8822-SK-T or 8824-SK-T]



Bodine Inverter 10W
(Optional)
[ELIS10CDF]



Emergency Inverter 12W
(Optional)
[WP-CEP-12U-200VPE1]