



THINTEK™ WAFER RR Direct Mount Recessed

DESCRIPTION

The Thintek™ Wafer series is a versatile and efficient solution for commercial and residential spaces, that can be installed in shallow plenum areas with as little as two inches of ceiling space. Thintek™ Wafer is IC-rated with a thermally protected driver box, which can be installed in a wide variety of ceilings and joists with ease. The CCT selection switch allows for a selection between 2700K, 3000K, 3500K, 4000K, and 5000K. With Title 24 certification, 90 CRI, and a variety of sizes, shapes, and lumen packages, the ThinTek™ Wafer provides increased functionality, reliable performance, and a fast, simple installation process.

APPLICATIONS

Residential, Institution, Hospitality, Retail, Offices, Schools, Hospitals, Airports and Hallways.

FEATURES



120~347VAC/0-10V Dimming

ThinTek™ Wafer RR

- 3", 8W (500 lm)
- 4", 10W (650 lm)
- 4", 12W (850 lm)
- 6", 12W (900 lm)
- 6", 15W (1100 lm)
- 8", 18W (1500 lm)

Construction

Die-cast aluminum housing and PC lens.
Air-tight IC Rated.

Electrical

Input voltage: 120~347VAC, 60Hz
25W High Voltage Emergency Battery Backup option available.
12" Power Cable (Standard): Extension Cable option available in 3' or 10'.

Projected L70: 50,000+ hours
Warranty: 5 Years
0-10V Dimming (10%)

Optical System

Glare controlling lens for comfortable light distribution.
Provides a 110° beam angle.

Installation/ Mounting

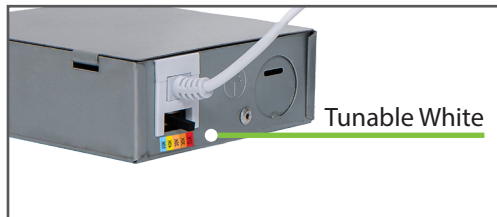
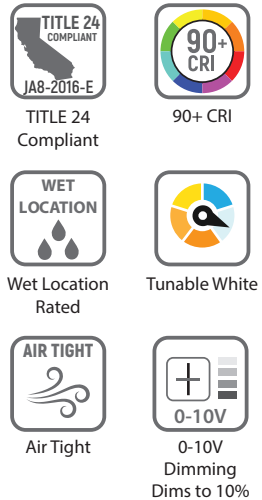
Recessed Mounting with adjustable spring loaded retention tabs for secure fixture.
New Construction Kit (4", 6", 8) and New Construction Kit with Hanger Bar (3", 4", 6") Option Available.

Warranty

5 year warranty.
See warranty documentation for more information.

Controls/Dimming

0-10V Dimming (Dims to 10%)
Tunable White between 2700K, 3000K, 3500K 4000K, 5000K.



Ordering Information

EXAMPLE: TWRR-0308-C-U

Series	Size/Wattage	CCT Switchable	Input Voltage/Control
TWRR - ThinTek Wafer Round Regressed	0308 - 3"/8W 0410 - 4"/10W 0412 - 4"/12W 0612 - 6"/12W 0615 - 6"/15W 0818 - 8"/18W	C - 2700K/3000K/3500K/4000K/5000K	U - 120~347VAC/ 0-10VDimming
		New Construction Kit TWR-NC (For 4" 6", 8")	Accessories TW-EC03 (3' Extension Cable) TW-EC10 (10' Extension Cable) 90025-H (25W High Voltage Emergency Battery Backup)
		New Construction Kit W/ Hanger Bar TWR-NCH (For 3", 4", 6")	

Specifications and Dimensions subject to change without notice.

Accessories are purchased separately.

*MOQ and longer lead times may apply, please contact customer service for more information.

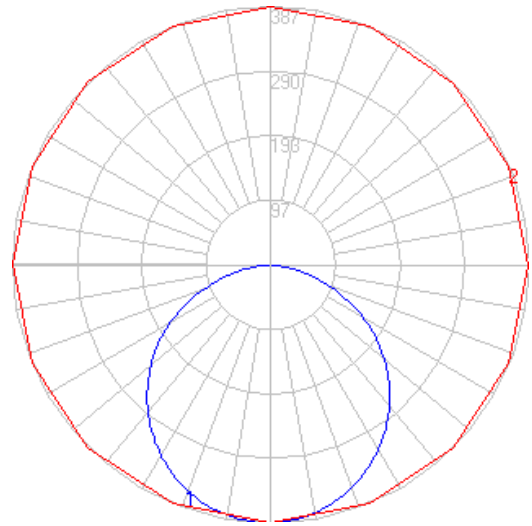
Performance Information

Input Voltage	120~347VAC
Input Frequency	60Hz
Wattage	See Performance Table
Delivered Lumens	See Performance Table
Efficacy	See Performance Table
CRI	>90
Available CCT	2700K, 3000K, 3500K, 4000K, 5000K
Projected L70	50,000+ hours
Power Factor	>0.9
THD	<20%
Dimming	0-10V Dimming (Dims To 10%)
Operating Temp.	-4°~104°F

Photometric Data

6" 15W

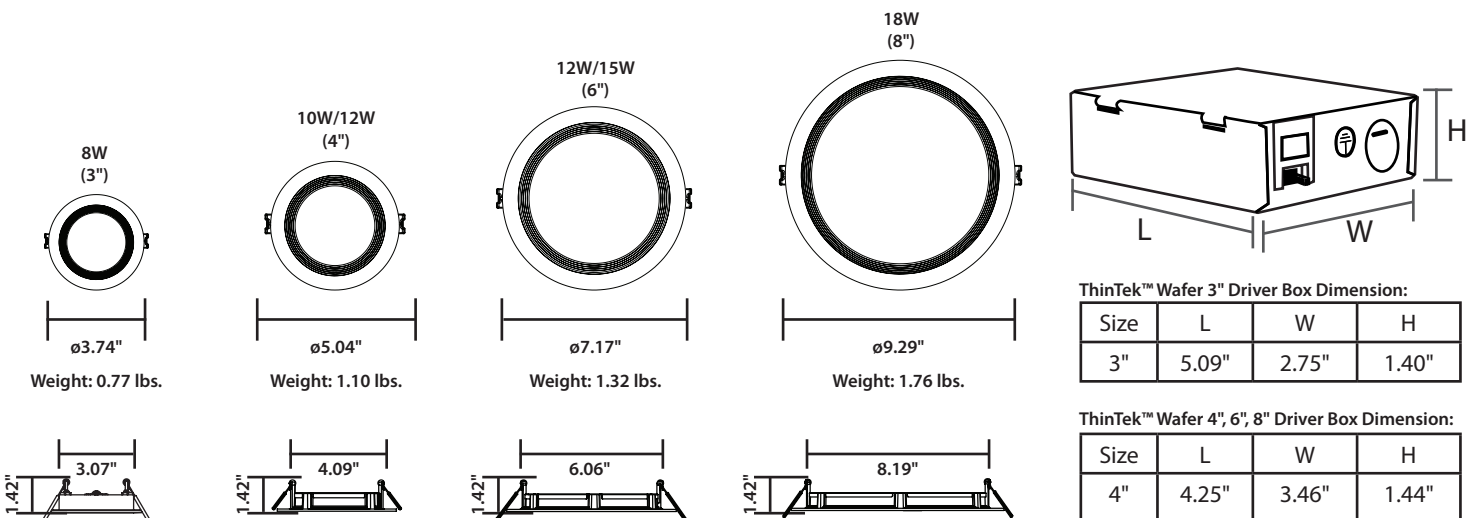
* IESNA LM-63 IES Available



Performance Table

SKU	Size (in)	Wattage (W)	5000K	
			Delivered Lumens (lm)	Efficacy (lm/W)
TWRR-0308-C-U	3	8	500	63
TWRR-0410-C-U	4	10	650	65
TWRR-0412-C-U	4	12	850	71
TWRR-0612-C-U	6	12	900	75
TWRR-0615-C-U	6	15	1100	73
TWRR-0818-C-U	8	18	1500	83

Product Dimensions



Installation Kits and Accessories



**4", 6", 8"
New Construction Kit
(Option)
[TWR-NC]**



**3", 4", 6"
New Construction Kit
With Hanger Bar
(Option)
[TWR-NCH]**



**3' or 10"
Extension Cable
(Option)
[TW-EC03, TW-EC10]**



**High Voltage
Emergency Backup
25W
(Option)
[90025-H]**