



THINTEK™ WAFER SR Direct Mount Recessed

DESCRIPTION

The Thintek™ Wafer series is a versatile and efficient solution for commercial and residential spaces, that can be installed in shallow plenum areas with as little as two inches of ceiling space. Thintek™ Wafer is IC-rated with a thermally protected driver box, which can be installed in a wide variety of ceilings and joists with ease. The CCT selection switch allows for a selection between 2700K, 3000K, 3500K, 4000K, and 5000K. With Title 24 certification, 90 CRI, and a variety of sizes, shapes, and lumen packages, the ThinTek™ Wafer provides increased functionality, reliable performance, and a fast, simple installation process.

APPLICATIONS

Residential, Institution, Hospitality, Retail, Offices, Schools, Hospitals, Airports and Hallways.

FEATURES

Construction

Die-cast aluminum housing and PC lens.
Air-tight IC Rated.

Optical System

Glare controlling lens for comfortable light distribution.
Provides a 110° beam angle.

Warranty

5 year warranty.
See warranty documentation for more information.



Electrical

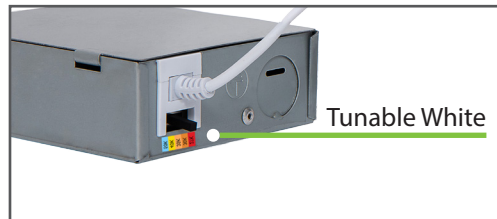
Input voltage: 120~347VAC, 60Hz
25W High Voltage Emergency Battery Backup option available.
12" Power Cable (Standard): Extension Cable option available in 3' or 10'.

Installation/ Mounting

Recessed Mounting with adjustable spring loaded retention tabs for secure fixture.

Controls/Dimming

0-10V Dimming (Dims to 10%)
Tunable White between 2700K, 3000K, 3500K 4000K, 5000K.

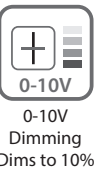


120~347VAC/0-10V Dimming

ThinTek™ Wafer SR

- 3", 8W (500 lm)
- 4", 10W (650 lm)
- 4", 12W (850 lm)
- 6", 12W (900 lm)
- 6", 15W (1100 lm)
- 8", 18W (1500 lm)

Projected L70: 50,000+ hours
Warranty: 5 Years
0-10V Dimming (10%)



Ordering Information

EXAMPLE: TWSR-0308-C-U

Series	Size/Wattage	CCT Switchable	Input Voltage/Control
TWSR - ThinTek Wafer Square Regressed	0308 - 3"/8W 0410 - 4"/10W 0412 - 4"/12W 0612 - 6"/12W 0615 - 6"/15W 0818 - 8"/18W	C - 2700K/3000K/3500K/4000K/5000K	U - 120~347VAC/ 0-10VDimming

Accessories

- TW-EC03 (3' Extension Cable)
- TW-EC10 (10' Extension Cable)
- 90025-H (25W High Voltage Emergency Battery Backup)

Specifications and Dimensions subject to change without notice.

Accessories options are purchased separately.

*MOQ and longer lead times may apply, please contact customer service for more information.

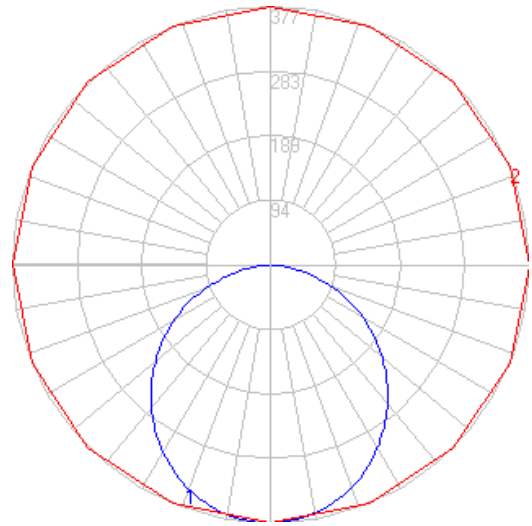
Performance Information

Input Voltage	120~347VAC
Input Frequency	60Hz
Wattage	See Performance Table
Delivered Lumens	See Performance Table
Efficacy	See Performance Table
CRI	>90
Available CCT	2700K, 3000K, 3500K, 4000K, 5000K
Projected L70	50,000+ hours
Power Factor	>0.9
THD	<20%
Dimming	0-10V Dimming (Dims To 10%)
Operating Temp.	-4°~104°F

Photometric Data

6" 15W

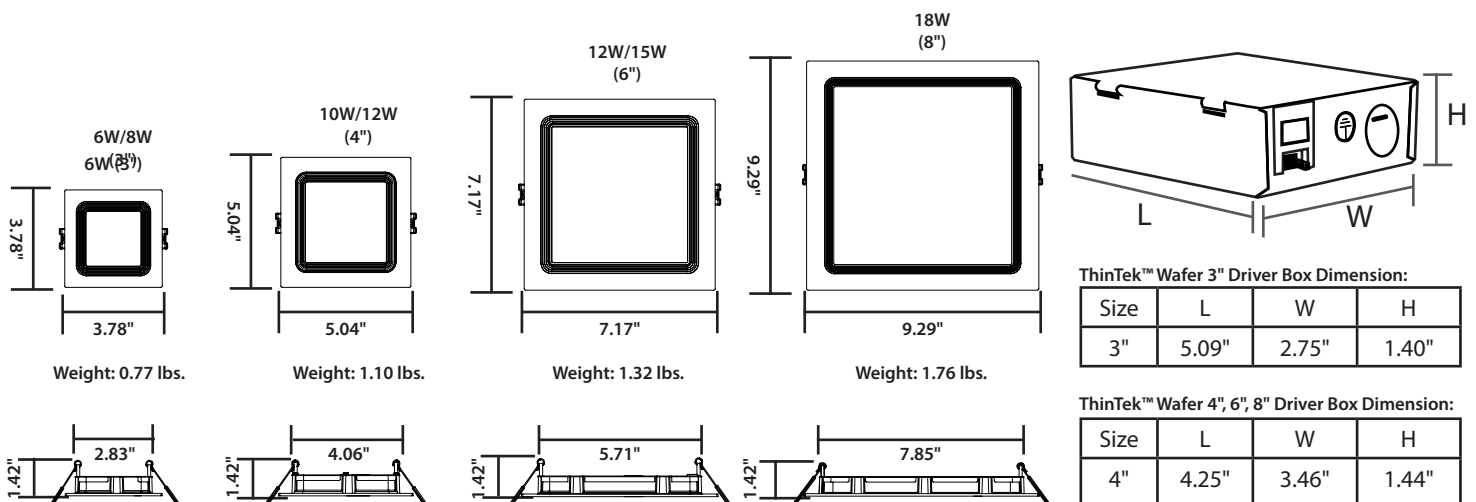
* IESNA LM-63 IES Available



Performance Table

SKU	Size (in)	Wattage (W)	5000K	
			Delivered Lumens (lm)	Efficacy (lm/W)
TWSR-0308-C-U	3	8	500	63
TWSR-0410-C-U	4	10	650	65
TWSR-0412-C-U	4	12	850	71
TWSR-0612-C-U	6	12	900	75
TWSR-0615-C-U	6	15	1100	73
TWSR-0818-C-U	8	18	1500	83

Product Dimensions



Installation Kits and Accessories



**3' or 10"
Extension Cable
(Option)
[TW-EC03, TW-EC10]**



**High Voltage
Emergency Backup
25W
(Option)
[90025-H]**