

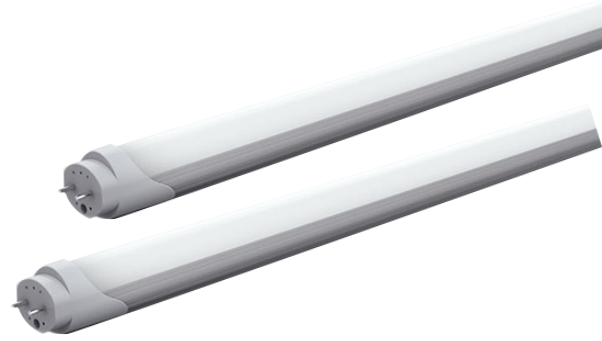


SKU#: _____ PROJECT NAME: _____ DATE: _____



TrueFit™

Linear Tube (Type A/B)



DESCRIPTION

The TGS TrueFit™ LED T8 lamp offers an easy and safe energy-saving retrofit solution for fluorescent tube lamps, with over 125 lumens per watt. The TrueFit™ lamp provides universal operating options: plug and play with instant-start electronic ballasts, or bypass the existing ballast to run directly off line voltage.

APPLICATIONS

Commercial Buildings, Retail Spaces, Institutions, Hospitality, and Industrial Facilities

FEATURES

Construction

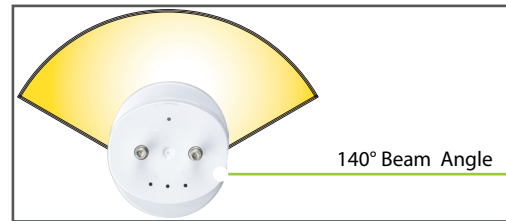
Constructed from a uniformed PC Lens and Aluminum Housing

Optical System

Provides a 140° beam angle.
Even illumination distribution.

Warranty

5 Year Warranty.
See warranty documentation for more information.



Not all products are qualified on the DLC® QPL. To view our DLC® qualified products, please consult the DLC® Qualified Products List at www.designlights.org/qpl.



Electrical

Input voltage: 100-277VAC

Installation/ Mounting

G13 (Bi pin) - Compatible with T8 and T12 Sockets
Type A - Plug & Play (Ballast Compatible)
Type B - Bypass Ballast for direct line wiring (Single Or Double Ended Power)

TrueFit™ Type A/B

- 2' 8W (960 lm)
- 3' 10W (1,300 lm)
- 4' 12W (1,620 lm)
- 4' 15W (1,950 lm)
- 4' 18W (2,340 lm)

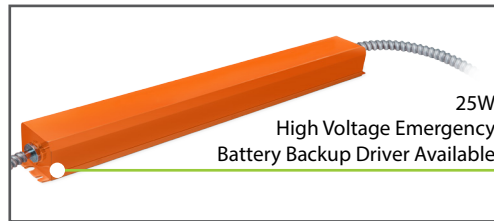
Projected L70: 50,000 hours
Warranty: 5 Years
Efficacy W/ Ballast: 110 Lpw
Efficacy W/O Ballast: 125 Lpw



Damp Location Rated



Emergency Battery Driver Option



Ordering Information

EXAMPLE: 834115-40-AB-BAA

Tube Series	Length	Wattage	CCT	Type	BAA
83	21 - 24"	8 - 8W	*30 - 3000K 35 - 3500K 40 - 4000K 50 - 5000K	AB - Type A [Plug & Play (Ballast Compatible)] Type B [Bypass Ballast for direct line wiring (Single Or Double Ended Power)]	BAA
	31 - 36"	10 - 10W			
	41 - 48"	12 - 12W 15 - 15W 18 - 18W			
Accessories					

90025-H (25W Emergency Battery Driver)
9913-A (Non -Shunted Tombstones)

Specifications and Dimensions subject to change without notice.

Optional accessories are purchased separately.

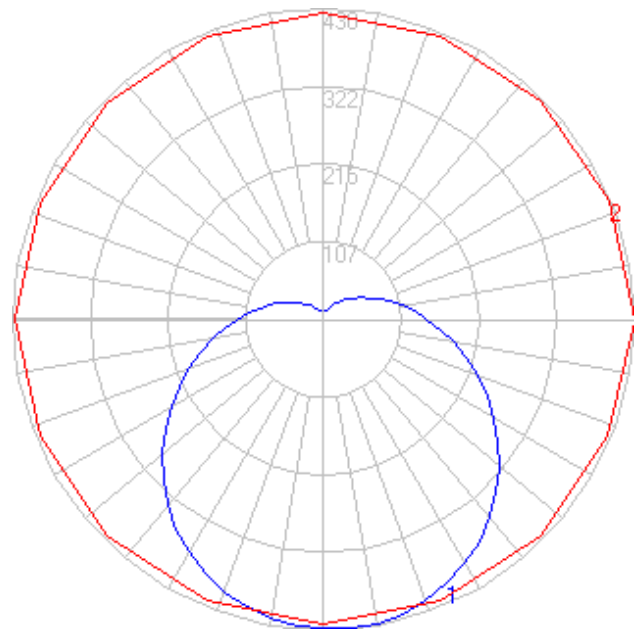
*MOQ and longer lead times may apply, please contact customer service for more information.

Performance Information

Input Voltage	100-277VAC
Input Frequency	50/60Hz
Wattage	See Performance Table
Delivered Lumens	See Performance Table
Efficacy	See Performance Table
CRI	>80
Available CCT	*3000K, 3500K, 4000K, 5000K
Projected L70	50,000+ hours
Power Factor	>0.9
THD	<20%
Dimming	No
Operating Temp.	-4°~104°F
IP Rating	Damp Location

Photometric Data

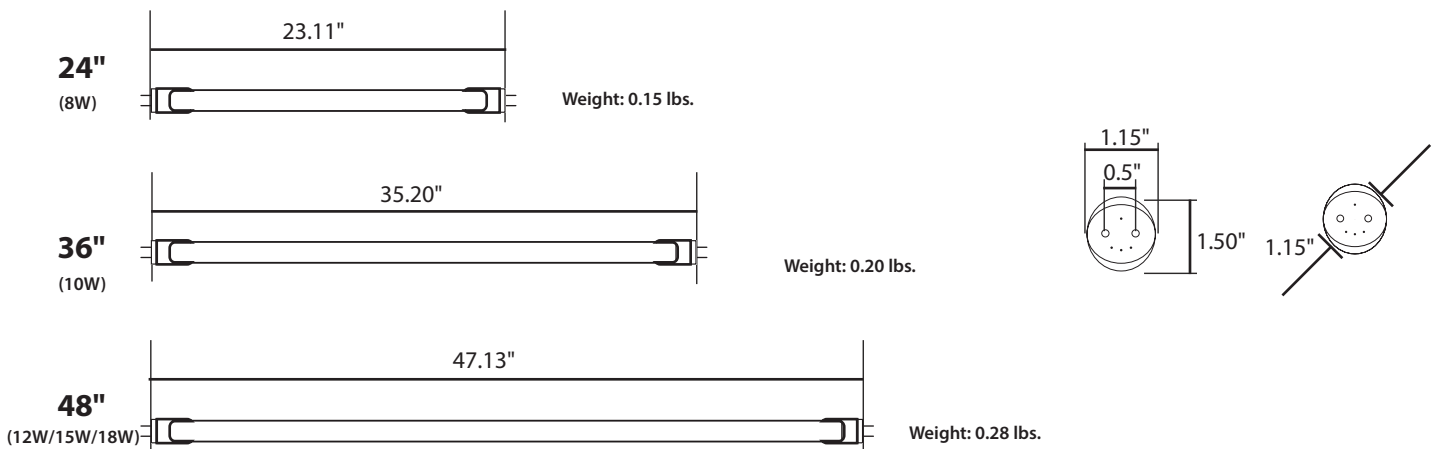
* IESNA LM-63 IES Available



Performance Table

SKU	Wattage (W)	4000K	
		Delivered Lumens (lm)	Efficacy (lm/W)
832108-50-AB-BAA	8	1040	130
833110-50-AB-BAA	10	1250	130
834112-50-AB-BAA	12	1500	130
834115-50-AB-BAA	15	1875	130
834118-50-AB-BAA	18	2250	130

Product Dimensions



Ballast Compatibility List

- GE:
1. GE-132MAX-L/ULTRA INSTANT START BALLAST
 2. GE-232MAX-L/ULTRA INSTANT START BALLAST
 3. GE-332MAX-L/ULTRA INSTANT START BALLAST
 4. GE-432MAX-L/ULTRA INSTANT START BALLAST
 5. GE-132MAX-N/ULTRA INSTANT START BALLAST
 6. GE-232MAX-N/ULTRA INSTANT START BALLAST
 7. GE-332MAX-N/ULTRA INSTANT START BALLAST
 8. GE-432MAX-N/ULTRA INSTANT START BALLAST
 9. GE-132MAX-H/ULTRA INSTANT START BALLAST
 10. GE-232MAX-H/ULTRA INSTANT START BALLAST
 11. GE-332MAX-H/ULTRA INSTANT START BALLAST
 12. GE-432MAX-H/ULTRA INSTANT START BALLAST
 13. GE-132MAX-347-L INSTANT START BALLAST
 14. GE-232MAX-347-L INSTANT START BALLAST
 15. GE-332MAX-347-L INSTANT START BALLAST
 16. GE-432MAX-347-L INSTANT START BALLAST
 17. GE-132MAX-347-H INSTANT START BALLAST
 18. GE-232MAX-347-H INSTANT START BALLAST
 19. GE-332MAX-347-H INSTANT START BALLAST
 20. GE-432MAX-347-H INSTANT START BALLAST
 21. GE-132MAX-347-N INSTANT START BALLAST
 22. GE-232MAX-347-N INSTANT START BALLAST
 23. GE-332MAX-347-N INSTANT START BALLAST
 24. GE-432MAX-347-N INSTANT START BALLAST
 25. GE-132MAX-42T INSTANT START BALLAST
 26. GE-232MAX-42T INSTANT START BALLAST
 27. GE-332MAX-42T INSTANT START BALLAST
 28. GE-432MAX-42T INSTANT START BALLAST
 29. GE-132MAX-G-N-DIYB INSTANT START BALLAST
 30. GE-232MAX-G-N-DIYB INSTANT START BALLAST
 31. GE-332MAX-G-N-DIYB INSTANT START BALLAST
 32. GE-432MAX-G-N-DIYB INSTANT START BALLAST
 33. GE-132-120RESDIYB INSTANT START BALLAST
 34. GE-232-120RESDIYB INSTANT START BALLAST
 35. GE-332-120RESDIYB INSTANT START BALLAST
 36. GE-432-120RESDIYB INSTANT START BALLAST
 37. GE240RES120-DIYB RAPID START BALLAST
 38. GE240RESMVN-DIYB RAPID START BALLAST
 39. GE-132-120RES-DIY INSTANT START BALLAST
 40. GE-232-120RES-DIY INSTANT START BALLAST
 41. GE-332-120RES-DIY INSTANT START BALLAST
 42. GE-432-120RES-DIY INSTANT START BALLAST
 43. GE240RS120-DIY RAPID START BALLAST
 44. GEM220TS120/2-DIY RAPID START BALLAST
 45. GE-132MV-N-DIY INSTANT START BALLAST
 46. GE-232MV-N-DIY INSTANT START BALLAST
 47. GE-332MV-N-DIY INSTANT START BALLAST
 48. GE-432MV-N-DIY INSTANT START BALLAST
 49. GE-259MV-N-DIY INSTANT START BALLAST
 50. GE-232-MVPS-N RAPID START BALLAST
 51. GE-132-MV-N INSTANT START BALLAST
 52. GE-232-MV-N INSTANT START BALLAST
 53. GE-332-MV-N INSTANT START BALLAST
 54. GE-432-MV-N INSTANT START BALLAST
 55. GEM1FC1679RS120/2 RAPID START BALLAST
 56. MAGNETEK-200-H2 PREHEAT START BALLAST
 57. GE-232MAXP-L/ULTRA INSTANT START BALLAST
 58. GEM120TC120/2-DIY RAPID START BALLAST
 59. GE-240-RS-MV-N-DIY RAPID START BALLAST
 60. GE260IS-MV-N INSTANT START BALLAST
 61. 446-LR-TC-P MAGNETIC RAPID START BALLAST
- PHILIPS:
62. ICN-2M32-MC INSTANT START BALLAST
63. ICN-1P32-N INSTANT START BALLAST
 64. ICN-2P32-N INSTANT START BALLAST
 65. ICN-3P32-N INSTANT START BALLAST
 66. ICN-4P32-N INSTANT START BALLAST
 67. ICN-1540-N RAPID START BALLAST
 68. ICN-2540-N RAPID START BALLAST
 69. ICN-3540-N RAPID START BALLAST
 70. ICN-4540-N RAPID START BALLAST
 71. REB-1P32-SC INSTANT START BALLAST
 72. REB-2P32-SC INSTANT START BALLAST
 73. REB-3P32-SC INSTANT START BALLAST
 74. REB-4P32-SC INSTANT START BALLAST
 75. RELB-1540-N RAPID START BALLAST
 76. RELB-2540-N RAPID START BALLAST
 77. RELB-3540-N RAPID START BALLAST
 78. RELB-4540-N RAPID START BALLAST
 79. IOP-2P32-N INSTANT START BALLAST
 80. IOPA-1P32-N INSTANT START BALLAST
 81. IOPA-2P32-N INSTANT START BALLAST
 82. IOPA-3P32-N INSTANT START BALLAST
 83. IOPA-4P32-N INSTANT START BALLAST
 84. IOPA-1P32-LM-N INSTANT START BALLAST
 85. IOPA-2P32-LM-N INSTANT START BALLAST
 86. IOPA-3P32-LM-N INSTANT START BALLAST
 87. IOPA-4P32-LM-N INSTANT START BALLAST
 89. GOPA-1P32-SC INSTANT START BALLAST
 90. GOPA-2P32-SC INSTANT START BALLAST
 91. GOPA-3P32-SC INSTANT START BALLAST
 92. GOPA-4P32-SC INSTANT START BALLAST
 93. RLQS-122-TP-W RAPID START BALLAST
 94. RLQ-120-TP RAPID START BALLAST
- SYLVANIA:
95. QHE1x32T8/UNV ISL-SC INSTANT START BALLAST
 96. QHE2x32T8/UNV ISL-SC INSTANT START BALLAST
 97. QHE3x32T8/UNV ISL-SC INSTANT START BALLAST
 98. QHE4x32T8/UNV ISL-SC INSTANT START BALLAST
 99. QHE1x32T8/UNV ISN-SC INSTANT START BALLAST
 100. QHE2x32T8/UNV ISN-SC INSTANT START BALLAST
 101. QHE3x32T8/UNV ISN-SC INSTANT START BALLAST
 102. QHE4x32T8/UNV ISN-SC INSTANT START BALLAST
 103. QHE1x32T8/UNV ISH-SC INSTANT START BALLAST
 104. QHE2x32T8/UNV ISH-SC INSTANT START BALLAST
 105. QHE3x32T8/UNV ISH-SC INSTANT START BALLAST
 106. QHE4x32T8/UNV ISH-SC INSTANT START BALLAST
 107. QHE1x32T8/UNV ISL-SC-1 INSTANT START BALLAST
 108. QHE2x32T8/UNV ISL-SC-1 INSTANT START BALLAST
 109. QHE3x32T8/UNV ISL-SC-1 INSTANT START BALLAST
 110. QHE4x32T8/UNV ISL-SC-1 INSTANT START BALLAST
111. QHE1x32T8/UNV ISN-SC-1 INSTANT START BALLAST
 112. QHE2x32T8/UNV ISN-SC-1 INSTANT START BALLAST
 113. QHE3x32T8/UNV ISN-SC-1 INSTANT START BALLAST
 114. QHE4x32T8/UNV ISN-SC-1 INSTANT START BALLAST
 115. QHE1x32T8/UNV ISH-SC-1 INSTANT START BALLAST
 116. QHE2x32T8/UNV ISH-SC-1 INSTANT START BALLAST
 117. QHE3x32T8/UNV ISH-SC-1 INSTANT START BALLAST
 118. QHE4x32T8/UNV ISH-SC-1 INSTANT START BALLAST
 119. QHE1x32T8/347 ISL-SC INSTANT START BALLAST
 120. QHE2x32T8/347 ISL-SC INSTANT START BALLAST
 121. QHE3x32T8/347 ISL-SC INSTANT START BALLAST
 122. QHE4x32T8/347 ISL-SC INSTANT START BALLAST
 123. QHE1x32T8/347 ISN-SC INSTANT START BALLAST
 124. QHE2x32T8/347 ISN-SC INSTANT START BALLAST
 125. QHE3x32T8/347 ISN-SC INSTANT START BALLAST
 126. QHE4x32T8/347 ISN-SC INSTANT START BALLAST
 127. QHE1x32T8/347 ISH-SC INSTANT START BALLAST
 128. QHE2x32T8/347 ISH-SC INSTANT START BALLAST
 129. QHE3x32T8/347 ISH-SC INSTANT START BALLAST
 130. QHE4x32T8/347 ISH-SC INSTANT START BALLAST
 131. QTP1x32T8/UNV ISL-SC INSTANT START BALLAST
 132. QTP2x32T8/UNV ISL-SC INSTANT START BALLAST
 133. QTP3x32T8/UNV ISL-SC INSTANT START BALLAST
 134. QTP4x32T8/UNV ISL-SC INSTANT START BALLAST
 135. QTP1x32T8/UNV ISN-SC INSTANT START BALLAST
 136. QTP2x32T8/UNV ISN-SC INSTANT START BALLAST
 137. QTP3x32T8/UNV ISN-SC INSTANT START BALLAST
 138. QTP4x32T8/UNV ISN-SC INSTANT START BALLAST
 139. QTP1x32T8/UNV ISH-SC INSTANT START BALLAST
 140. QTP2x32T8/UNV ISH-SC INSTANT START BALLAST
 141. QTP3x32T8/UNV ISH-SC INSTANT START BALLAST
 142. QTP4x32T8/UNV ISH-SC INSTANT START BALLAST
 143. QHE1x59T8/UNV ISL-SC INSTANT START BALLAST
 144. QHE2x59T8/UNV ISL-SC INSTANT START BALLAST
 145. QHE3x59T8/UNV ISL-SC INSTANT START BALLAST
 146. QHE4x59T8/UNV ISL-SC INSTANT START BALLAST
 147. QHE1x59T8/UNV ISN-SC INSTANT START BALLAST
 148. QHE2x59T8/UNV ISN-SC INSTANT START BALLAST
 149. QHE3x59T8/UNV ISN-SC INSTANT START BALLAST
 150. QHE4x59T8/UNV ISN-SC INSTANT START BALLAST
 151. QHE1x59T8/UNV ISH-SC INSTANT START BALLAST
 152. QHE2x59T8/UNV ISH-SC INSTANT START BALLAST
 153. QHE3x59T8/UNV ISH-SC INSTANT START BALLAST
 154. QHE4x59T8/UNV ISH-SC INSTANT START BALLAST
- SUNPARK:
155. U-1/32PSE RAPID START BALLAST
 156. U-2/32PSE RAPID START BALLAST
 157. U-3/32PSE RAPID START BALLAST
 158. U-1/32ISE INSTANT START BALLAST
 159. U-2/32ISE INSTANT START BALLAST
 160. U-3/32ISE INSTANT START BALLAST
 161. U-1/32ISE-HBF INSTANT START BALLAST
 162. U-2/32ISE-HBF INSTANT START BALLAST
 163. U-1/32ISE-LBF INSTANT START BALLAST
 164. U-2/32ISE-LBF INSTANT START BALLAST
 165. SL15T RAPID START BALLAST
- ROBERTSON:
166. ISU232T8120 INSTANT START BALLAST
 167. RN320P RAPID START BALLAST
 168. SS2P PREHEAT SELF START BALLAST
 169. HPS1P PREHEAT START BALLAST
 170. L15A SIMPLE REACTANCE BALLAST
 171. SP258 SIMPLE REACTANCE BALLAST
 172. O1527P SIMPLE REACTANCE BALLAST
- STERIL-AIRE:
173. 10000175 RAPID START BALLAST
- TRIAD:
174. B232IUNVEL-A INSTANT START BALLAST
 175. B232IUNVHP-B INSTANT START BALLAST
 176. B232IUNVHP-N INSTANT START BALLAST
 177. B2345R120M-A RAPID START BALLAST
- HI:
178. EPH2/32IS/MV/MC/HE INSTANT START BALLAST
 179. E2/40RS-120MC RAPID START BALLAST
- KEYSTONE:
180. KTEB-2C72-1-TP RAPID START BALLAST
 181. KTEB-220-1-TP-EMI /C RAPID START BALLAST
 182. 240TPES RAPID START BALLAST
- ESPEN:
183. VE232MVHIPLE INSTANT START BALLAST
 184. VE259120HIP INSTANT START BALLAST
- PROLUME:
185. EP232IS/L/MV/SL INSTANT START BALLAST
- RADIONIC:
186. E232H12 INSTANT START BALLAST
- WORKHORSE:
187. WH3-120-L INSTANT START BALLAST
 188. WHCG2-120-T8 INSTANT START BALLAST
- SUPERIOR LIFE:
189. 70201 INSTANT START BALLAST
- PRO STANDARD:
190. GI22540-TP RAPID START BALLAST

Accessories



Emergency Battery Backup Driver
25W
(Optional)
[90025-H]



Non-Shunted Tombstone
(Optional)
[9913-A]