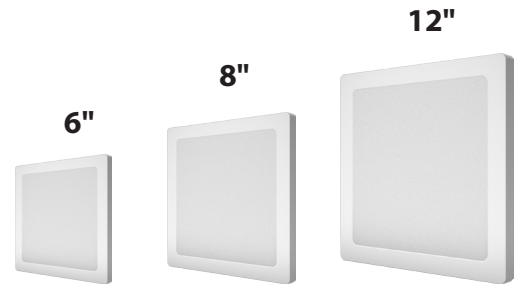


# ThinTek™ Mini S

# Edge Lit Downlight



120VAC/Triac Dimming

## DESCRIPTION

The ThinTek™ Mini S low profile surface mounted downlight is an ideal solution for ceiling or surface mount applications. This 0.6" ultra-slim luminaire is the thinnest available option with an integral driver for existing junction boxes, can lights, or new construction applications. It comes with built-in tri-color switch option for 3000K, 4000K, and 5000K.

## APPLICATIONS

Residential, Institution, Hospitality, Retail, Offices, Schools, Basement remodels, Kitchens and Hallways.

## FEATURES

### Construction

Injection molded white thin profile and lightweight design. It comes in four optional trim pieces that are easily installed: Chrome, Satin Nickel, Matte Black. Trim pieces are attached using integral magnets.

### Optical System

Glare controlling lens for comfortable light distribution. Provides a 110° beam angle.

### Warranty

36,000 Hours warranty.  
See warranty documentation for more information.

### Electrical

Integrated driver with short circuit protection.  
Input voltage: 120VAC, 60Hz

### Installation/ Mounting

Surface Mounting and Torsion Clip Mounting.  
Multiple Color Trims Available.

### Controls/Dimming

Phase/TRIAC Dimming.  
CCT Switchable between 3000K, 4000K, 5000K.



### ThinTek™ Mini S

6", 12W (1,000 lm)  
8", 18W (1,530 lm)  
12", 24W (2,160 lm)

Projected L70: 60,000+ hours  
Phase/TRIAC Dimming



120VAC



Phase/TRIAC Dimming



Thin Profile



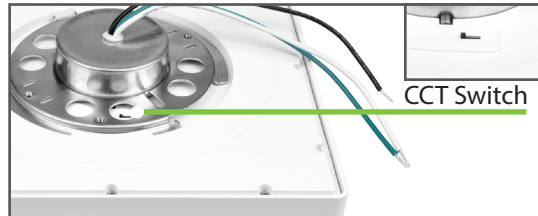
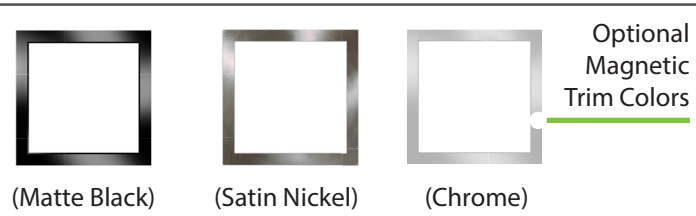
90+ CRI



3 CCT Selectable



Damp Location



## Ordering Information

EXAMPLE: 880612-S-TM-CC

LED Square Panel	Size/Wattage	Shape/Type	Series	CCT	CRI
88	0612 - 6 in/ 12W 0818 - 8 in/ 18W 1224 - 12 in/ 24W	S - Square	TM - ThinTek™ Mini	CC - 3000K/4000K/5000K	90CRI (Standard)
			Trim Option		Mounting Option
			Example: 8806-S-BL		88-TC-S (5/6 Torsion Clip Retrofit Kit)
			Size	Trim Finish	
			8806-S (6inch)	BL (Matte Black)	
			8808-S (8inch)	SN (Satin Nickel)	
			8812-S (12inch)	CH (Chrome)	

Specifications and Dimensions subject to change without notice.

Optional Trim and Mounting Options are purchased separately.

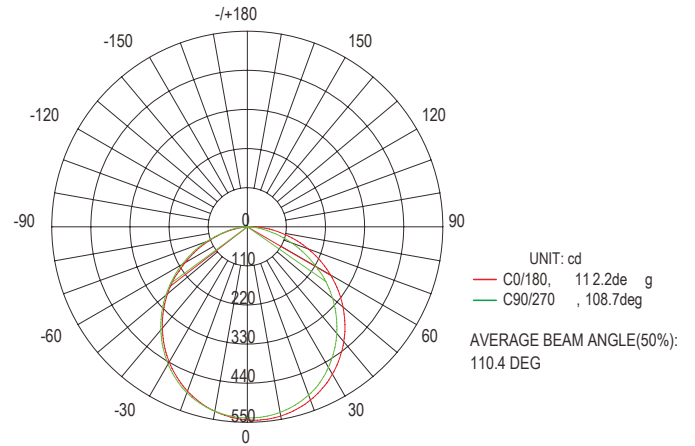
\*MOQ and longer lead times may apply, please contact customer service for more information.

## Performance Information

Input Voltage	120VAC
Input Frequency	60Hz
Wattage	See Performance Table
Delivered Lumens	See Performance Table
Efficacy	See Performance Table
CRI	>90
Available CCT	3000K, 4000K, 5000K
Projected L70	60,000+ hours
Power Factor	>0.9
THD	<20%
Dimming	Phase/TRIAC Dimming (Compatible Dimmer List Available)
Operating Temp.	-4°~104°F

## Photometric Data

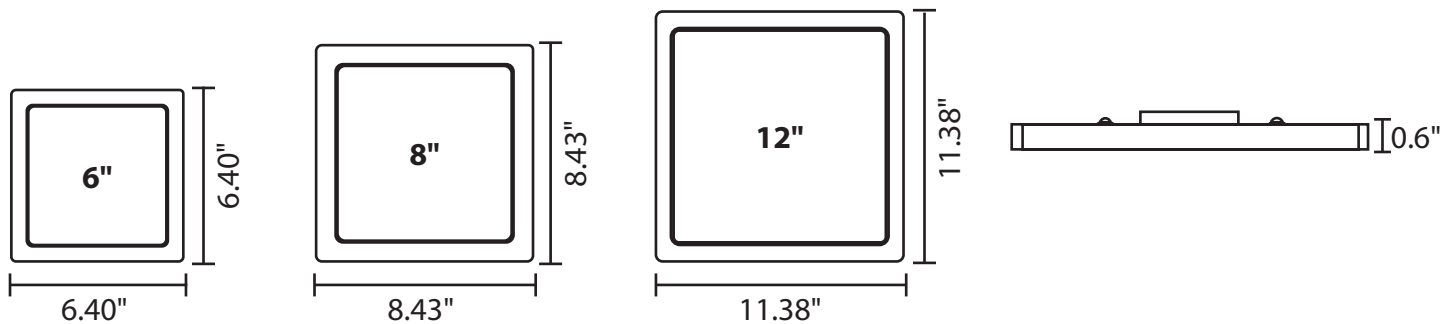
\*IES Available Upon Request



## Performance Table

SKU	Wattage (W)	5000K	
		Delivered Lumens (lm)	Efficacy (lm/W)
880612-S-TM-CC	12	1000	80
880818-S-TM-CC	18	1530	85
881224-S-TM-CC	24	2160	90

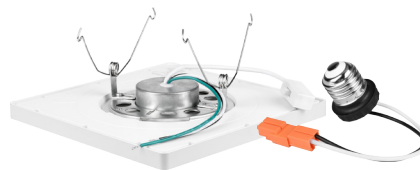
## Product Dimensions



## Installation Kits and Accessories



**Surface Mount Kit  
(Included)**



**Torsion Clip Kit  
(For 6" Recess Housing)  
Housing Not Included  
88-TC-S**



**Trims  
(Matte Black, Satin Nickel,  
Chrome)**

**Dimmer Compatibility List**

---

## Recommended dimmers

Lutron	Leviton
MSCL-OP153M	DSL06-1LZ
DVW-603PGH	6674-P0W
PD-6WCL	IPL06-10Z
SCL-153P	6672-1LW
CTCL-153P	
MACL-153M	
DVCL-153P	