



CHB-P™ **Circular High Bay**

DESCRIPTION

The CHB-P™ SERIES circular high bay is a durable, heavy-duty construction. It is a high performance and efficient LED fixture that provides a robust solution for high ceiling applications, especially warehouse spaces. CHB-P™ delivers high output and quality illumination. It improves warehouse safety and productivity, lower maintenance cost, and reducing operating costs.

APPLICATIONS

Commercial, Retail, Institution, Warehouse, and Industrial

FEATURES

Construction

Rugged, die-cast housing with advanced thermal management system ensures reliability and durability. IK10: Protected against mechanical impact of 20 joule. Available in Black and White Finish.

Optical System

Tempered glass lens provides a 120° beam angle. Optional PC Optics available in 60° or 90°. Optional PC or Aluminum reflectors available in 60° or 90°.

Warranty

5 Year Warranty.
Optional 7/10 Year Warranty Available
See warranty documentation for more information.

Electrical

Input voltage: 100-277VAC or 240-480VAC (Optional).
Driver compliant to FCC 47 CFR Part 15b.
6kV surge protection included & 10kV surge protection (Optional).
Emergency battery backup (480V only) option available (Factory Installed).
40W Emergency Inverter (Field Installed). [120-277V/Black Finish only]
6 ft [14/3, SOW (600V)/16/3, SJOW (300V)] rated power cable included.

Installation/ Mounting

Hanging Hook Mount (Standard), Surface Mount Kit, and Pendant Mount Kit (3/4") [Stem not included]

Controls/Dimming

1-10V Dimming comes standard.
Bi-level Occupancy/Daylight Harvesting sensor option available.

CHB-P™
150W (20,250 lm)
200W (27,000 lm)
240W (32,000 lm)
300W (40,500 lm)

Projected L70: 100,000+ hours
Warranty: 5 Years
System Efficacy: 135 LpW
1-10V Dimming



IP65



IK10



1-10V Dimming



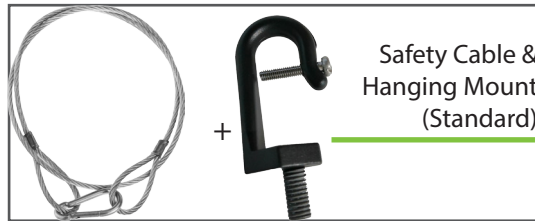
Motion Sensor (IP65) Option



480V Option



Die-cast Aluminum Construction



Safety Cable & Hanging Mount (Standard)

Ordering Information

EXAMPLE: CHB-P-150W-50K-WD-U-D-B-HM

Series	Wattage	CCT	Beam Angle	Input Voltage	Dimming	Finish	Mounting Options	Controls Options	Emergency Battery	BAA
CHB-P	150W 200W 240W 300W	40K - 4000K 50K - 5000K	WD - 120°	U - 100-277VAC H - 240-480VAC	D - 1-10V Dimming	B - Black *W - White	HM - Hanging Mount (Standard) PM - 3/4" Pendant Mount Kit SM - Surface Mount Kit	M - Bi-level Occupancy/Daylight Harvesting Sensor (IP65)	EM - Emergency Battery Backup (480V Only)	BAA

Accessories	Distribution Options
CHB-P-WG-B (Black - Wire Guard) CHB-P-WG-W (White - Wire Guard) L7-15 (NEMA Twist Lock Plug [120-277V, 15Amp]) L7-20 (NEMA Twist Lock Plug [120-277V, 20Amp]) CHB-P-SP (10kV Surge Protector) WP-EWG-040U (40W Emergency Inverter) SAFETY-SS-10FT (10' Safety Cable)	CHB-P-AM (Alum. 90° Reflector) CHB-P-AN (Alum. 60° Reflector) CHB-P-PM -16 (PC 90° Reflector) CHB-P-PN-16 (PC 60° Reflector) CHB-P-LC (PC Reflector Lens Cover) CHB-P-MD (Medium Distribution - 90°) CHB-P-ND (Narrow Distribution - 60°)

Specifications and Dimensions subject to change without notice.

Optional accessories and distribution are purchased separately.

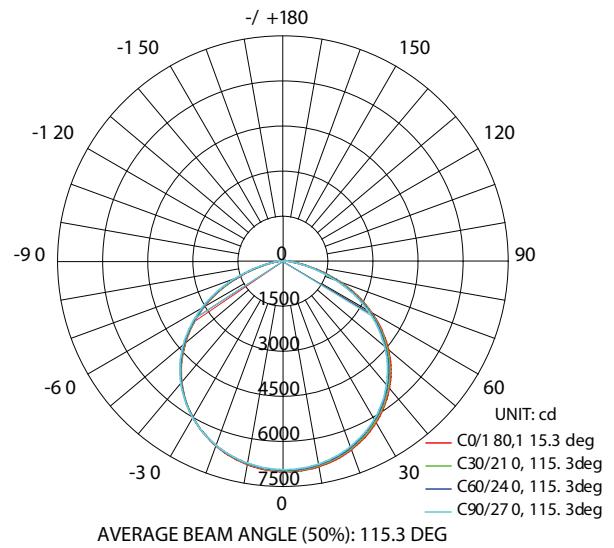
*MOQ and longer lead times may apply, please contact customer service for more information.

Performance Information

Input Voltage	120-277VAC, 240-480VAC
Input Frequency	50/60Hz
Wattage	See Performance Table
Delivered Lumens	See Performance Table
Efficacy	See Performance Table
CRI	>80
Available CCT	4000K, 5000K
Projected L70	100,000+ hours
Power Factor	>0.9
THD	<20%
Dimming	1-10V
Operating Temp.	-40°~122°F
IP Rating	IP65

Photometric Data

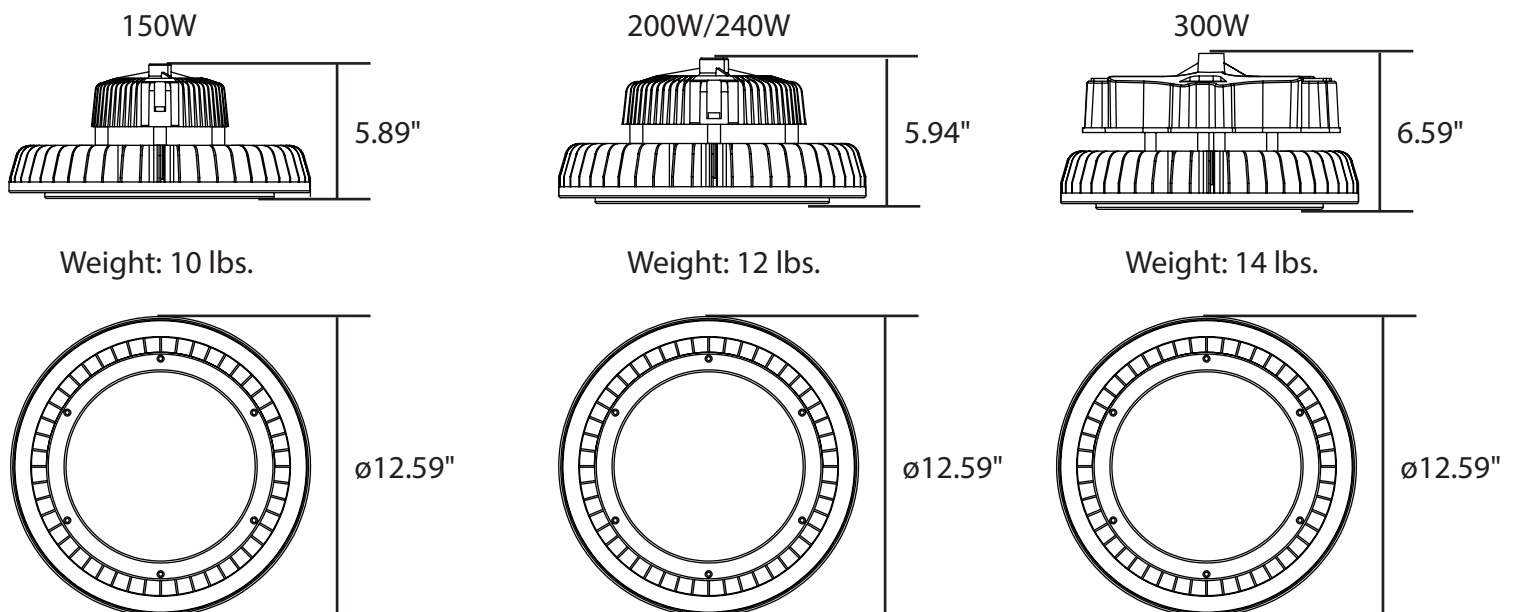
* IESNA LM-63 IES Available



Performance Table

SKU	Wattage (W)	5000K	
		Delivered Lumens (lm)	Efficacy (lm/W)
CHB-P-150W-50K-WD-U-D-B-HM-BAA	150	19500	128
CHB-P-200W-50K-WD-U-D-B-HM-BAA	200	27000	135
CHB-P-240W-50K-WD-U-D-B-HM-BAA	240	31200	130
CHB-P-300W-50K-WD-U-D-B-HM-BAA	300	39000	130

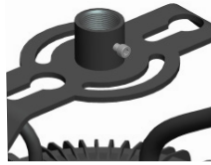
Product Dimensions



Accessories



Surface Mount Bracket [SM]



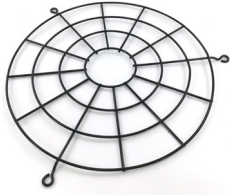
3/4" Thread Pendant Mount (Stem Not Included) [PM]



Bi-level Occupancy/Daylight Harvesting Sensor (IP65) [M]



Optical Lens Distribution (Available in 90° or 60°) [CHB-P-MD or CHB-P-ND]



Wire Guard (Black or White Finish) (Cannot be used with Reflectors) [CHB-P-WG-B, CHB-P-WG-W]



Aluminum Reflectors (Available in 60° or 90°) [CHB-P-AN or CHB-P-AM]



PC Reflectors 16" dia. (Available in 60° or 90°) [CHB-P-PN or CHB-P-PM]



PC Reflectors Lens Cover CHB-P-LC



NEMA Twist Lock Plug [L7-15 or L7-20]



Emergency Battery Backup Driver (480V Only & Factory Installed) [EM]



40W Emergency Inverter (120-277V/Black Finish Only) [WP-EWG-040U]



10' Safety Cable (Optional) [SAFETY-SS-10FT]

Control Pre-Commissioning

Default settings are indicated by *

High-End Trim/Tuning	Time Delay	Daylight Harvesting	Stand-by Light Level Setting	Stand-by Time Setting
20% - 8' height (48' dia.)	10s	*Light sensor disabled	0%	∞
50% - 20' height (40' dia.)	1min	10lux	*10%	1min
75% - 40' height (60' dia.)	*5min	30lux	30%	30min
*100% - 40' height (100' dia.)	15min	50lux	50%	*60min

High-End Trim/Tuning:

Lighting electricity usage can be reduced by 30 percent or more through high-end trim, which sets the maximum light level for each space. High-end trim/tuning sets the appropriate target brightness for each space to the prefer light levels to minimize glare and increase comfort level.

Time Delay:

The light can be set to stay ON for any period of time between approx. 10sec and the maximum of 60 min. Any movement detected before this time elapses will re-start the timer.

Daylight Harvesting:

The chosen light response threshold can be infinitely from approx. 10-50lux.

Standby Light Level:

How much light is dimmed when no motion is detected.

Stand-by Time:

How much time after dimming will the light will shut off. Up to 60 minutes after the light has dimmed the light will shut off.