



Double Ring - Round Fixture

Flush Mount

DESCRIPTION

The Double Ring Surface Mount Fixture instantly elevates any space with its modern aesthetics, is capable of switching to between five color temperatures in 2700K, 3000K, 3500K, 4000L, and 5000K. The high transmission acrylic diffuser lens provides even and comfortable illumination, well suited in residential or commercial environments.

APPLICATIONS

Hospitality, Airports, Schools, Offices, Government Facilities, Auto Dealerships

FEATURES



Double Ring - Round Fixture

- 10", 14W (1,000 lm)*
- 12", 14W (1,000 lm)
- 14", 18W (1,200 lm)
- 16", 24W (1,800 lm)
- 18", 24W (1,900 lm)

Projected L70: 50,000 hours
Warranty: 5 Years
Triac Dimming

Construction

Die-formed cold-rolled steel with powder coated paint.
Finish available in Satin Nickel Or Bronze.
High transmission white acrylic lens.

Electrical

Input Voltage: 120VAC

Optical System

Diffused lens for comfortable light distribution.
Provides a 116° beam angle.

Installation/ Mounting

Surface Mount (4" J-box and Octagon J-box)

Warranty

5 Year Warranty.
See warranty documentation for more information.

Controls/Dimming

TRIAC Dimming
CCT Selectable between 2700K, 3000K, 3500K 4000K, 5000K.



TITLE 24
Compliant



90+ CRI



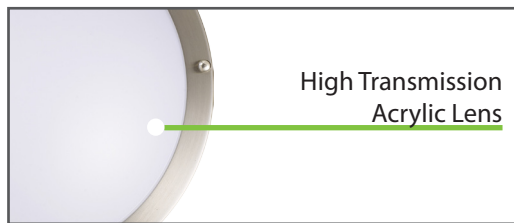
5 CCT
Switchable



Damp
Location
Rated



Phase/TRIAC
Dimming
Dims to 10%



Ordering Information

EXAMPLE: DRSM-0410-CC

Series	Size and Wattage	CCT Selectable	Finish
DRSM - Double Ring Surface Mount	*1014 - 10", 14W 1214 - 12", 14W 1418 - 14", 18W 1624 - 16", 24W 1824 - 18", 24W	CC - CCT Selectable (2700K/3000K/3500K/4000K/5000K)	SN - Satin Nickel *BR - Bronze

Specifications and Dimensions subject to change without notice.

*MOQ and longer lead times may apply, please contact customer service for more information.

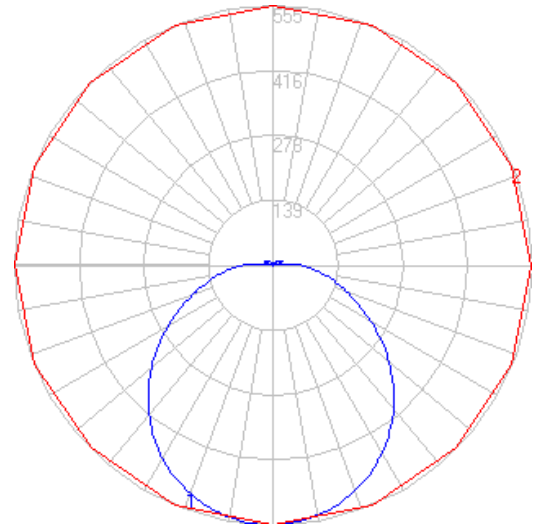
Note: 10" is a custom order.

Performance Information

Input Voltage	120VAC
Input Frequency	60Hz
Wattage	See Performance Table
Delivered Lumens	See Performance Table
System Efficacy	See Performance Table
CRI	>90
Available CCT	2700K, 3000K, 3500K, 4000K, 5000K
Projected L70	50,000+ hours
Power Factor	>0.9
THD	<20%
Dimming	TRIAC Dimming
Operating Temp.	-4°~104°F
IP Rating	Damp Location Rated

Photometric Data

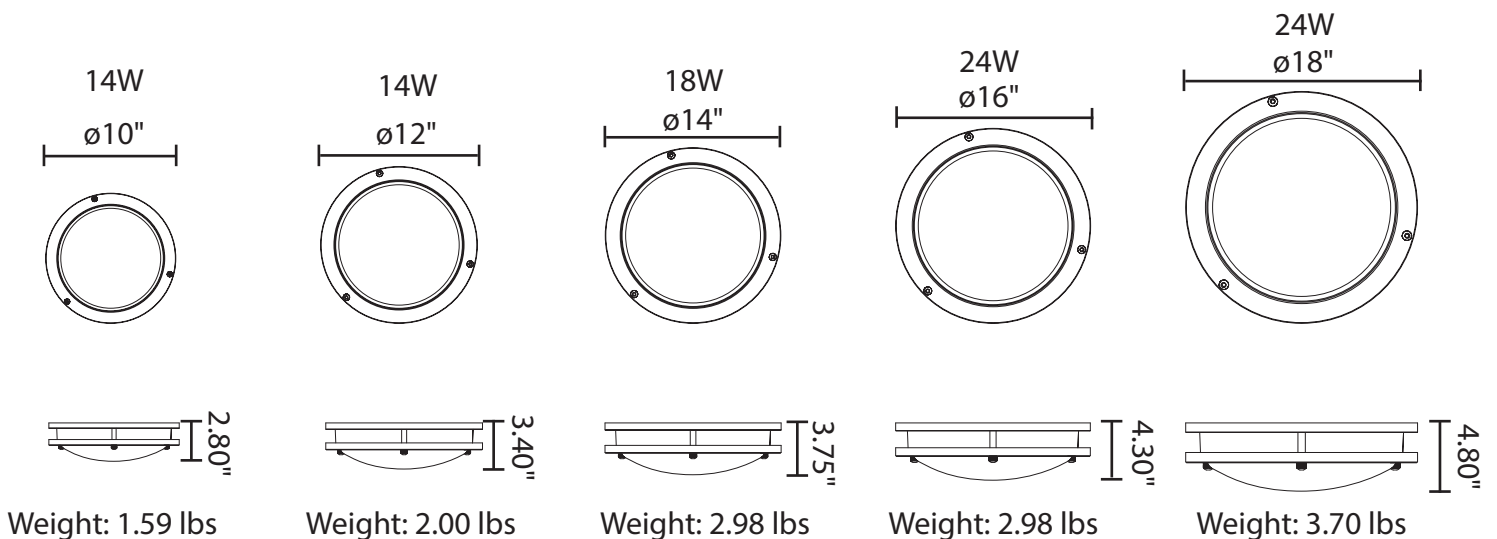
*IES Available Upon Request



Performance Table

SKU	Size (in)	Wattage (W)	5000K	
			Delivered Lumens (lm)	System Efficacy (lm/W)
*DRSM-1014-CC-XX	10	14	1000	71
DRSM-1214-CC-XX	12	14	1000	71
DRSM-1418-CC-XX	14	18	1200	66
DRSM-1618-CC-XX	16	24	1800	75
DRSM-1824-CC-XX	18	24	1900	79

Product Dimensions



Dimmer Compatibility List

Recommended dimmers

Lutron	Leviton	EATON
DVCL-153PR-WH CTCL-153PDH-WH TGCL-153PH-WH MACL-153MH-WH P-PKG1W-WH-R	R62-06674-P0W R12-06672-1LW R50-IPL06-10M	SAL06P-LA-K